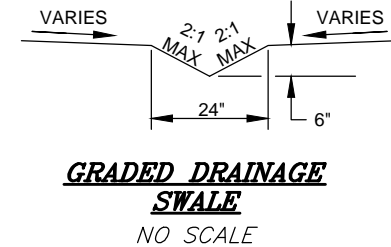
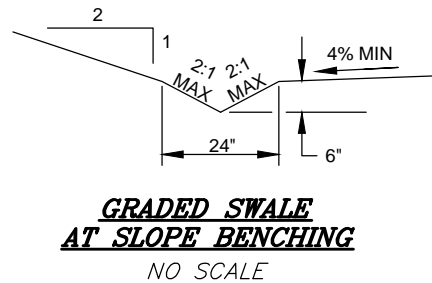
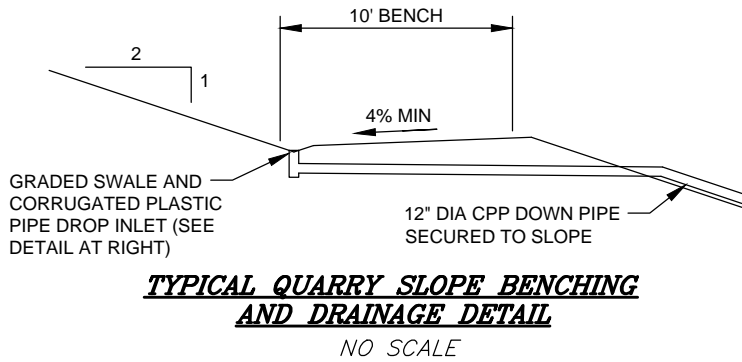
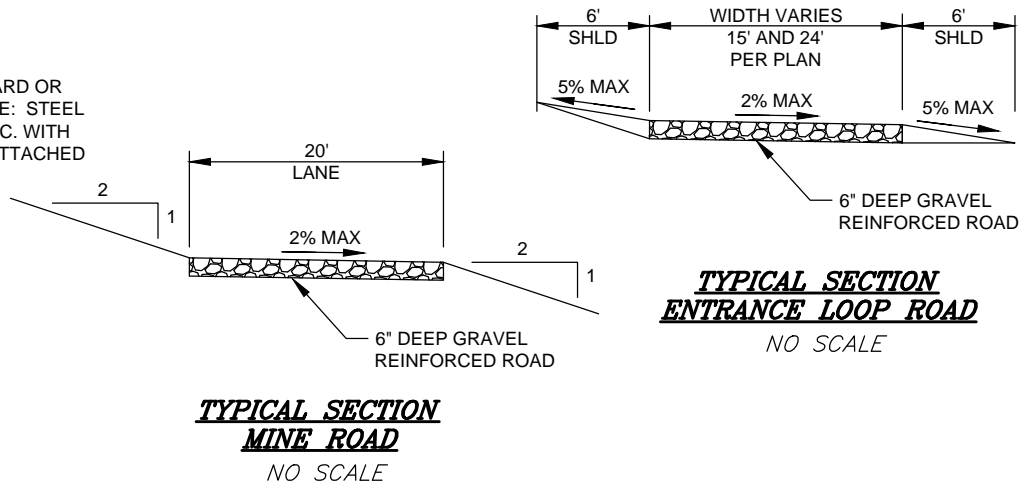
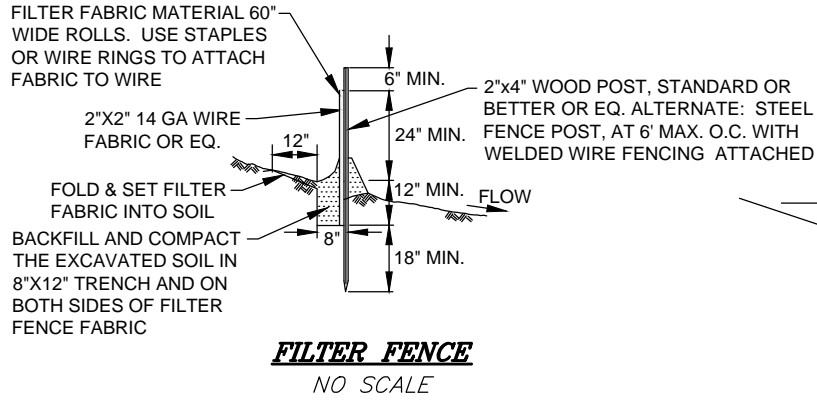


Z:\01 Mammoth 14020 Sargent Ranch Local Improvement Plans\Plan Set\K15\14-15 Mine Cross Sections.dwg Dec 01, 2020 - 12:46pm mparadowski



PREPARED & SUBMITTED BY:

DATE:

Copyright (C) 2018 by Triod/Haines Associates. All Rights Reserved. This Drawing is loaned to the Client for use on the Project described in the Title Block. Title, Invention, or Patent in this Document, without the Consent of Triod/Haines, is prohibited.

REVISIONS:	BY:

PREPARED FOR:
VERNE FREDMAN
904 SAN ANTONIO RD
PALO ALTO, CA 94303

SARGENT RANCH QUARRY
MINE CROSS SECTIONS

DATE 12/01/2020
SCALE AS SHOWN
DRAWN SCR
JOB NO. 01.4020
DWG
FIGURE 15a