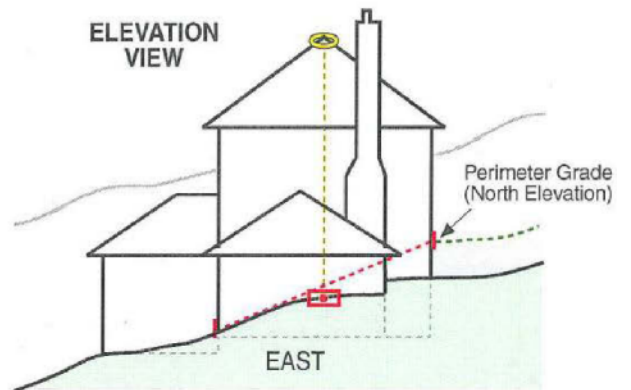
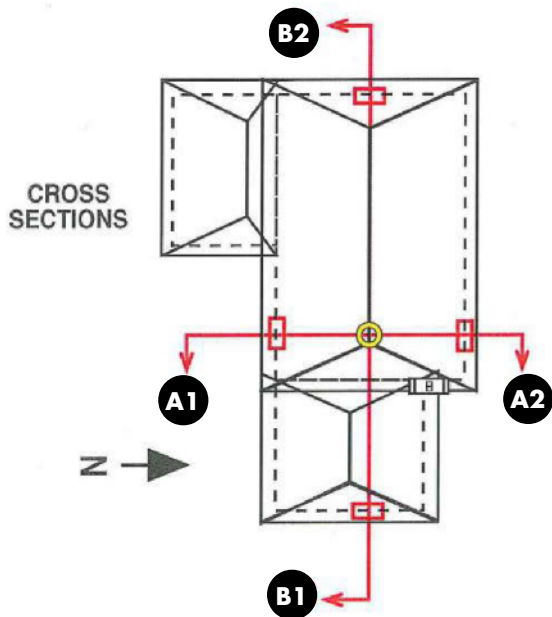
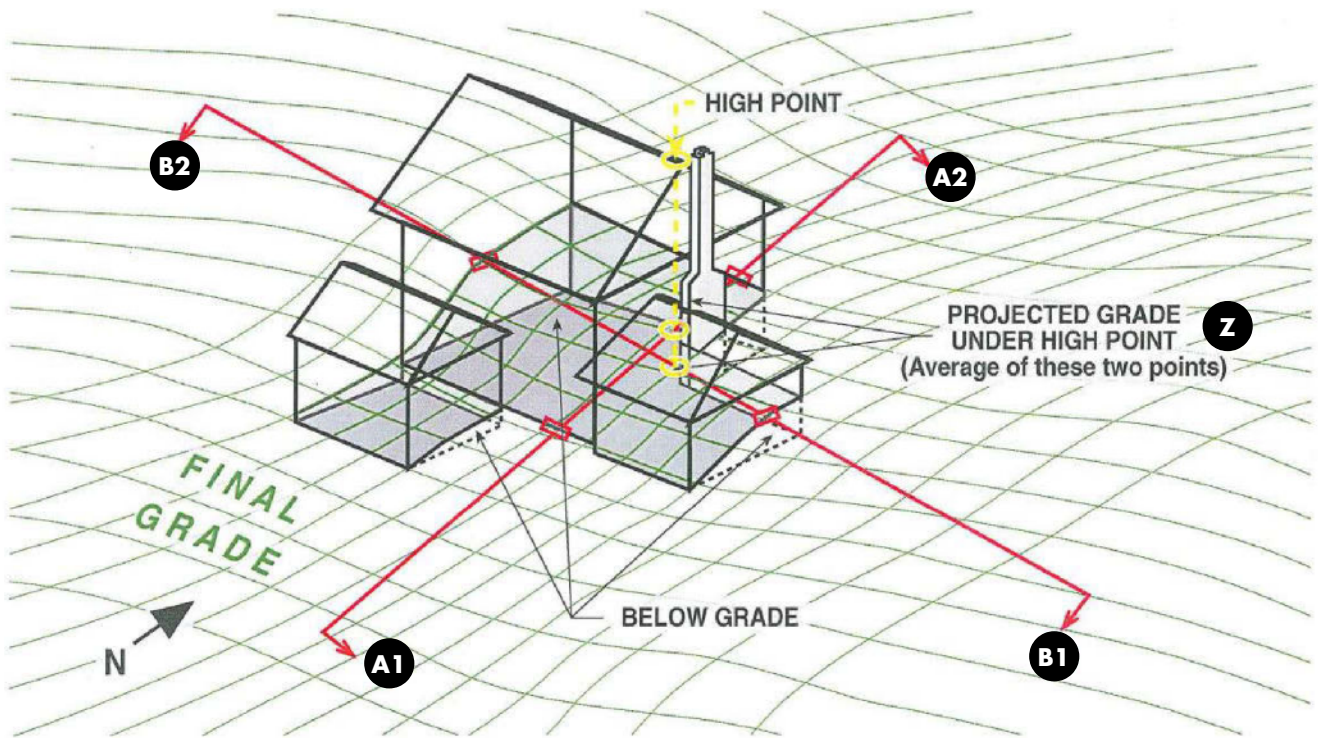


# HEIGHT MEASUREMENT

Irregular Topography



$X$  = Average Final Grade of A1 and A2

$Y$  = Average Final Grade of B1 and B2

$Z$  = Average Projected Grade Under High Point of Structure  
(Grade Below Maximum Point of Structure = Average of  $X$  and  $Y$ )

$$X = \frac{A1 + A2}{2} \quad Y = \frac{B1 + B2}{2}$$

$$Z = \frac{X + Y}{2}$$