

NESTLDOWN RANCH LLC

Domestic and Fire Suppression
Water Systems
September 2014
REVISED
DECEMBER 2015

Fire/Dom
TANKS



SUBJECT TO:

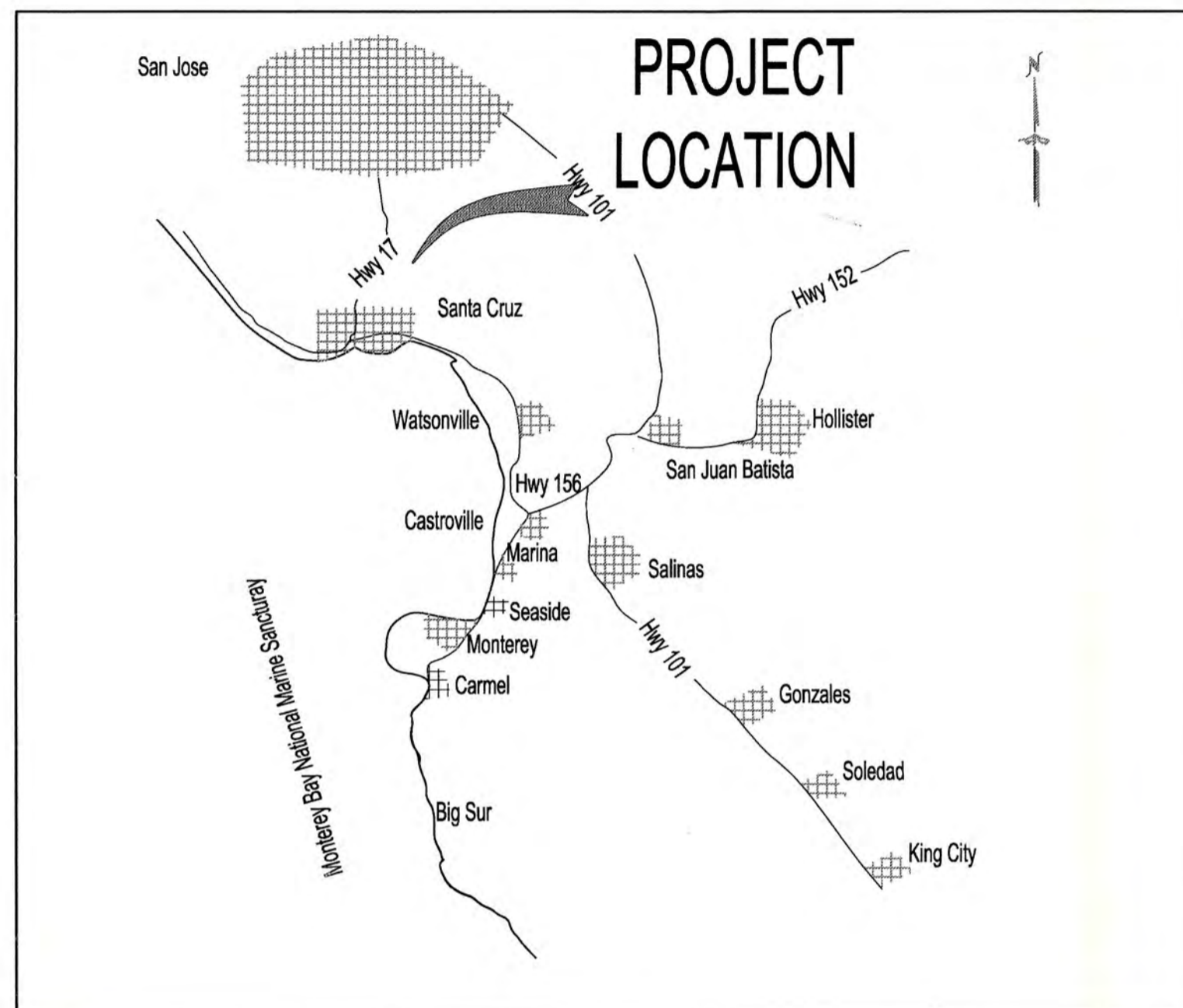
- State Laws & Regulations
- County Ordinance
- Letter Dated: 12/16/15
- Weld Inspection
- Rough Fitting Inspections
- Flow & Discharge tests
- Rough Wiring Inspections
- Battery, Device and
- Audibility Testing
- Electrical Permit
- Final Inspection

NOTE: The stamping of these plans by this office shall not be construed as approval of or permission to violate any county or state law or regulation.

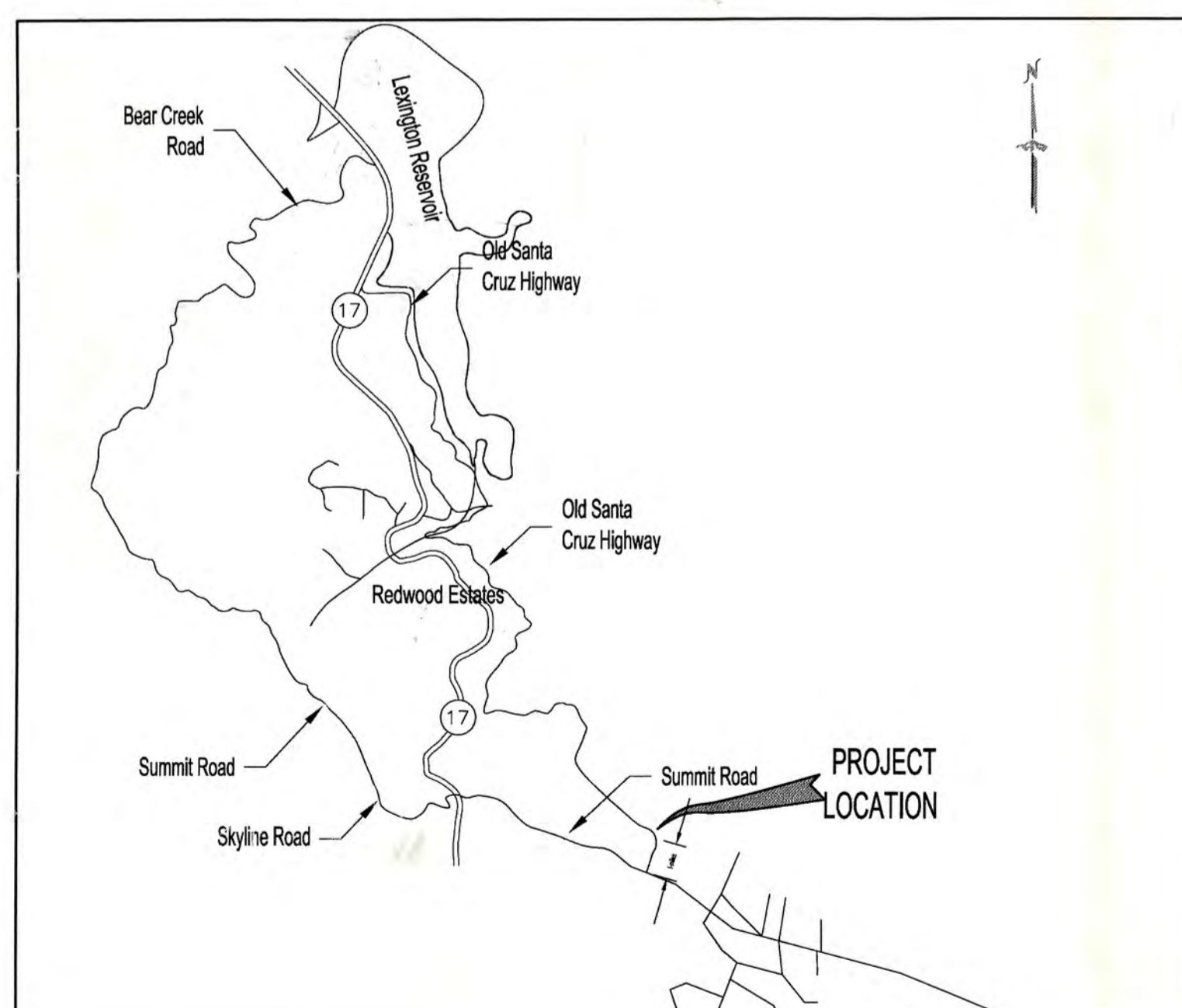
NOTE: A copy of these approved Permit and plans shall be kept on the job site during construction.

Call 22 hours prior to desired inspection or test for appointment.

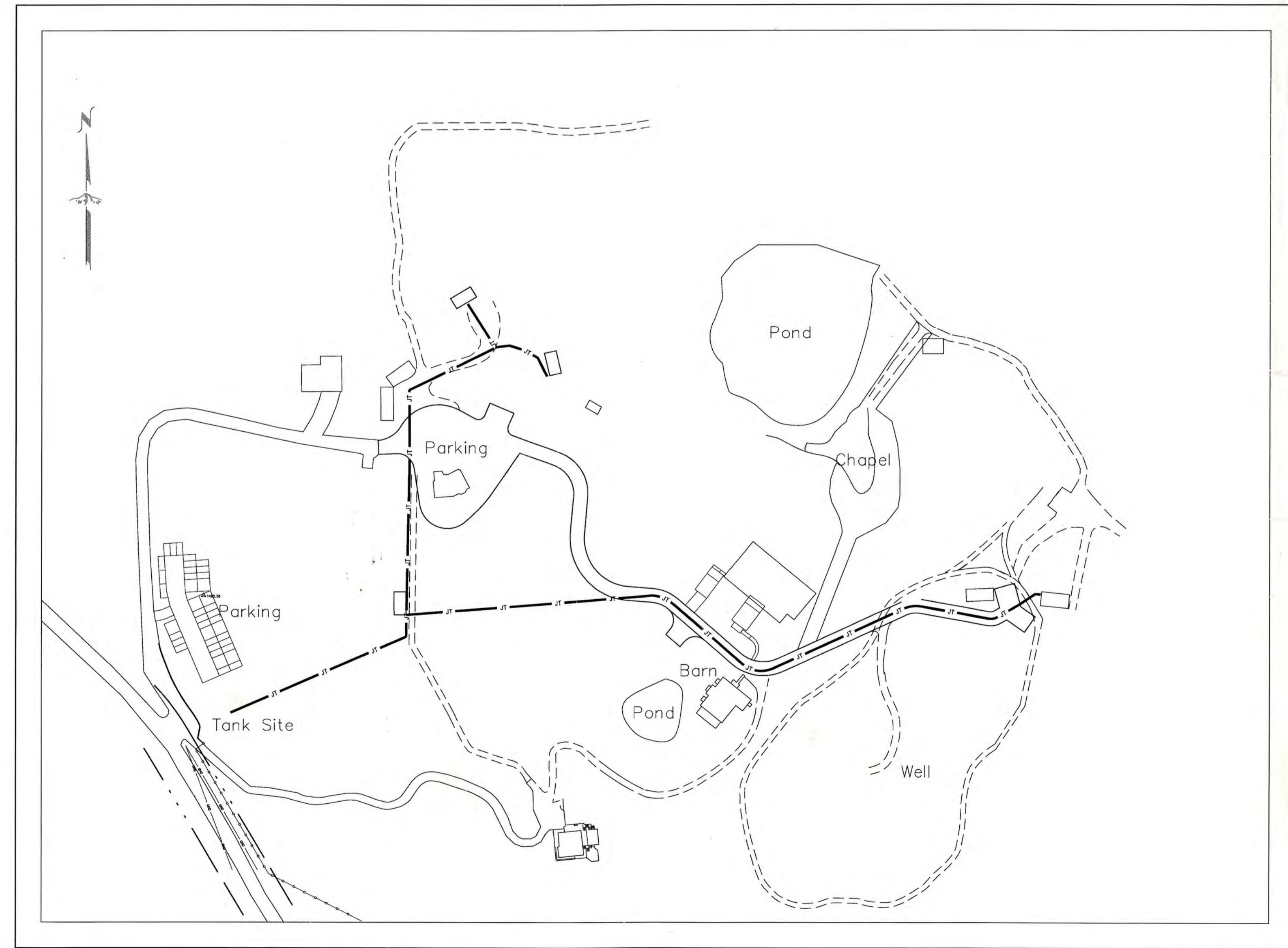
BP 58792



LOCATION MAP



VICINITY MAP



INDEX

SHEET 1	GENERAL NOTES
SHEET 2A	16K GROSS TANK
SHEET 2B	84K GROSS TANK SPECIAL INSPECTION REQUIRED FOR THE FOLLOWING: <i>Bolted & epoxied connectors</i>
SHEET 3	ACCESSORY DETAILS
SHEET 4A	16K ACCESSORY LAYOUT
SHEET 4B	84K ACCESSORY LAYOUT
R1	FIRE TANK ROOF MANWAY
G2	P&ID DIAGRAM
G3	LOGIC DIAGRAM
TS1	TANK SITE PLAN
W6	TANK CONNECTION DETAILS
W7	OVERFLOW DETAILS
SP4	STANDARD PLAN 04

RECEIVED
DEC 23 2015
BUILDING INSPECTION DIV

PC 43270-1-2

COUNTY OF SANTA CLARA
BUILDING INSPECTION OFFICE
PLANS APPROVED FOR PERMIT

SHEET NO. 9 OF 9
BY: 805 DATE: 12/29/15
PLANS MUST BE ON JOB FOR INSPECTIONS

RECEIVED
DEC 10 2015
BUILDING INSPECTION DIV

L:\Jobs\1414070 ATC American Tank Company\Task 045 Nestledown LLC Classic 27x45STRU051_TASK 045.dwg Time: Sep 03, 2015 - 10:55am Login: camachom Dim: scale: 1:1 Scale: 0.5

SAFETY NOTES:

- IT IS THE CONTRACTOR'S RESPONSIBILITY TO COMPLY WITH THE PERTINENT SECTIONS OF THE "CONSTRUCTION SAFETY ORDERS" ISSUED BY THE STATE OF CALIFORNIA LATEST EDITION, AND ALL OSHA REQUIREMENTS AS THEY APPLY TO THIS PROJECT.
- THE STRUCTURAL ENGINEER DOES NOT ACCEPT ANY RESPONSIBILITY FOR THE CONTRACTOR'S FAILURE TO COMPLY WITH THESE REQUIREMENTS.
- THE CONTRACTOR SHALL PROVIDE ALL MEASURES NECESSARY TO PROTECT THE STRUCTURE DURING CONSTRUCTION. SUCH MEASURES SHALL INCLUDE, BUT NOT BE LIMITED TO, BRACING FOR VERTICAL AND/OR LATERAL LOADS, SHORING AND LOADS DUE TO CONSTRUCTION EQUIPMENT, ETC.

FOUNDATIONS:

THE TANKS DESCRIBED BY THESE DRAWINGS ARE TO BE INSTALLED ON A FOUNDATION DESCRIBED BY THE "PERMIT APPROVED DRAWINGS BY WY'FAST ENGINEERING, SHEETS W1-W5 DATED SEPTEMBER 2014". CYS HAVE REVIEWED THE PERMITTED FOUNDATION DESIGN "NOTED" ABOVE FOR CONFORMANCE WITH THE TANK DESIGN REQUIREMENTS OF THESE DRAWINGS AND TAKE NO STRUCTURAL EXCEPTION TO THE "NOTED" FOUNDATIONS' USE TO SUPPORT THESE PROPOSED TANKS. THE DESIGN OF THE FOUNDATION IS THE SOLE RESPONSIBILITY OF WY'FAST ENGINEERING.

STRUCTURAL STEEL:

- FABRICATION, ERECTION AND MATERIALS SHALL CONFORM WITH:
 - 2013 CBC
 - ASCE 7-10
- STRUCTURAL STEEL SHAPES AND CONNECTORS SHALL CONFORM TO THE FOLLOWING:
 - WIDE FLANGE ASTM A992, GRADE 50 (Fy = 50 KSI)
 - TUBE STEEL (UNO) ASTM A500, GRADE B (Fy = 46 KSI)
 - PIPE COLUMNS ASTM A53, TYPES E OR S, GRADE B (Fy = 35 KSI)
 - PLATES, ANGLES, CHANNELS, BARS & MISCELLANEOUS SHAPES ASTM A36
 - MACHINE BOLTS ASTM A307
- SPlicing STRUCTURAL MEMBERS WHERE NOT DETAILED ON THE DRAWING IS PROHIBITED WITHOUT PRIOR APPROVAL OF THE STRUCTURAL ENGINEER.
- EXCEPT AS OTHERWISE NOTED, ALL BOLTS SHALL BE MACHINE BOLTS.
- HOLES FOR MACHINE BOLTS SHALL BE DRILLED AND OF THE SAME NOMINAL DIAMETER AS THE BOLT PLUS 1/16".
- ALL STRUCTURAL STEEL SHALL BE ERECTED PLUMB AND TRUE TO LINE. TEMPORARY BRACING SHALL BE INSTALLED AND SHALL BE LEFT IN PLACE UNTIL OTHER MEANS ARE PROVIDED TO ADEQUATELY BRACE THE STRUCTURE.

STRUCTURAL ABBREVIATIONS

∠	ANGLE	HORIZ	HORIZONTAL
ABV	ABOVE	HT	HEIGHT
AB	ANCHOR BOLTS	HSS	HOLLOW STRUCTURAL SECTION
ACI	AMERICAN CONCRETE INSTITUTE	ICC	INTERNATIONAL CODE COUNCIL
ASCE	AMERICAN INSTITUTE FOR STEEL CONSTRUCTION	IN (")	INCH
ALT	ALTERNATE	JST	JOIST
ASTM	AMERICAN SOCIETY FOR TESTING & MATERIALS	JT	JOINT
AWS	AMERICAN WELDING SOCIETY	MAX	MAXIMUM
BM	BEAM	MB	MACHINE BOLT
BOC	BOTTOM OF CONCRETE	MFR	MANUFACTURER
BOF	BOTTOM OF FOOTING	MIN	MINIMUM
BOTT	BOTTOM	MISC	MISCELLANEOUS
BRG	BEARING	(N)	NEW
BRG P	BEARING PLATE	N/A	NOT APPLICABLE
BTW	BETWEEN	NIC	NOT IN CONTRACT
CBC	CALIFORNIA BUILDING CODE	NO. (#)	NUMBER OR POUNDS
CCR	CALIFORNIA CODE OF REGULATIONS	NSG	NON SHRINK GROUT
CG	CENTER OF GRAVITY	NTS	NOT TO SCALE
∅	CENTERLINE	OC	ON CENTER
CLR	CLEAR	OPG	OPENING
COL	COLUMN	PCF	PER CUBIC FOOT
CONC	CONCRETE	PERP	PERPENDICULAR
CR∅	COLD-ROLLED CHANNEL	P	PLATE
CTR	CENTER	PSI	POUNDS PER SQUARE INCH
DIA (∅)	DIAMETER	PSF	PER SQUARE FOOT
DSA	DIVISION OF THE STATE ARCHITECT	REINF	REINFORCING/REINFORCEMENT
DTL	DETAIL	REQ	REQUIRED
(E)	EXISTING CONDITION	SCHED	SCHEDULE
EA	EACH	SDST	SELF-DRILLING SELF-TAPPING
ELEV	ELEVATION	SE	STRUCTURAL ENGINEER
EOR	ENGINEER OF RECORD	SIM	SIMILAR
EQ (=)	EQUAL	SOG	SLAB ON GRADE
EW	EACH WAY	SQ	SQUARE
f'c	MINIMUM ULTIMATE COMPRESSIVE STRENGTH OF CONCRETE	STD	STANDARD
FG	FINISH GRADE	STL	STEEL
FLR	FLOOR	THK	THICK/THICKNESS
FND	FOUNDATION	TOC	TOP OF CONCRETE
FT (')	FOOT/FEET	TOF	TOP OF FOOTING/
FTG	FOOTING	TOF	TOP OF FRAMING/
Fy	SPECIFIED YIELD STRENGTH OF REINFORCING, STEEL, KSI	TOS	TOP OF STEEL
GA	GAUGE	TYP	TYPICAL
GALV	GALVANIZED	UNO	UNLESS NOTED OTHERWISE
GRD	GRADE	VERT	VERTICAL
GT	GROUT	VIF	VERIFY IN FIELD
		W/	WITH
		W/O	WITHOUT
		WP	WORK POINT
		WT	WEIGHT/STRUCTURAL TEE
		WWF	WELDED WIRE FABRIC

GENERAL NOTES:

- ALL DRAWINGS ARE CONSIDERED TO BE A PART OF THE CONTRACT DOCUMENTS. THE CONTRACTOR SHALL BE RESPONSIBLE FOR THE REVIEW AND COORDINATION OF ALL DRAWINGS AND SPECIFICATIONS PRIOR TO THE START OF CONSTRUCTION. ANY DISCREPANCIES THAT OCCUR SHALL BE BROUGHT TO THE ATTENTION OF AMERICAN TANK PRIOR TO THE START OF CONSTRUCTION SO THAT A CLARIFICATION CAN BE ISSUED. ANY WORK PERFORMED IN CONFLICT WITH THE CONTRACT DOCUMENTS OR ANY CODE REQUIREMENTS SHALL BE CORRECTED BY THE CONTRACTOR AT THEIR OWN EXPENSE AND AT NO EXPENSE TO THE OWNER OR ARCHITECT.
- TYPICAL NOTES AND DETAILS SHALL APPLY UNLESS OTHERWISE SHOWN OR NOTED ON DRAWINGS.
- DETAILS OF CONSTRUCTION NOT FULLY SHOWN SHALL BE OF THE SAME NATURE AS SHOWN FOR SIMILAR CONDITION.
- ALL WORK SHALL CONFORM TO THE MINIMUM STANDARDS OF THE 2013 CALIFORNIA BUILDING CODE, CCR, TITLE 24, PART 2, VOLUME 2 WITH LATEST REVISIONS REFERRED TO HERE AS "THE CODE", AND OTHER REGULATING AGENCIES WHICH HAVE AUTHORITY OVER ANY PORTION OF THE WORK, INCLUDING THE STATE OF CALIFORNIA DIVISION OF INDUSTRIAL SAFETY, AND THOSE CODES AND STANDARDS LISTED IN THESE NOTES AND SPECIFICATIONS.
- NOTES AND DETAILS ON DRAWINGS SHALL TAKE PRECEDENCE OVER GENERAL NOTES AND TYPICAL DETAILS. WHERE NO DETAILS ARE GIVEN, CONSTRUCTION SHALL BE AS SHOWN FOR SIMILAR WORK. IF CONFLICTS OCCUR BETWEEN DRAWINGS AND SPECIFICATIONS, THE MOST EXPENSIVE MATERIALS OR METHODS SHALL PREVAIL (FOR BIDDING). STRUCTURAL ENGINEER SHALL BE NOTIFIED OF CONFLICTS AND THAT PORTION OF WORK SHOULD NOT PROCEED UNTIL CONFLICT IS RESOLVED.
- THE CONTRACT STRUCTURAL DRAWINGS REPRESENT THE FINISHED STRUCTURE. THEY DO NOT INDICATE THE METHOD OF CONSTRUCTION.
- ASTM SPECIFICATIONS ON THE DRAWINGS SHALL BE OF THE LATEST REVISION.
- CONSTRUCTION MATERIAL SHALL BE SPREAD OUT IF PLACED ON FRAMED ROOF. LOAD SHALL NOT EXCEED DESIGN LIVE LOAD PER SQUARE FOOT. PROVIDE ADEQUATE SHORING AND/OR BRACING WHERE STRUCTURE HAS NOT ATTAINED DESIGN STRENGTH.
- HEAVY EQUIPMENT, CRANES AND MATERIAL STOCKPILES SHALL NOT BE LOCATED ON OR ADJACENT TO SHORING.
- SUBSTITUTIONS FOR STRUCTURAL MEMBERS, HARDWARE, OR DETAILS SHALL BE REVIEWED BY AMERICAN TANK AND THE STRUCTURAL ENGINEER AND APPROVED BY THE APPROPRIATE AGENCY. FOR A SUBSTITUTION TO BE REVIEWED THE CONTRACTOR SHALL AGREE & COMPLY WITH THE FOLLOWING:
 - THE CONTRACTOR SHALL BE BILLED ON A TIME AND MATERIALS BASIS FOR THE REVIEW OF THE SUBSTITUTION WITH NO GUARANTEE OF APPROVAL.
 - VERIFY THAT THE SUBSTITUTION DOES NOT AFFECT DIMENSIONS SHOWN ON DRAWINGS.
 - THE CONTRACTOR SHALL ALSO PAY FOR CHANGES TO THE BUILDING DESIGN, WHICH INCLUDES BUT IS NOT LIMITED TO; ENGINEERING DESIGN, DETAILING, APPROVAL AGENCY PROCESS AND CONSTRUCTION COSTS CAUSED BY THE REQUESTED SUBSTITUTION.
 - THE PROPOSED SUBSTITUTION IS TO HAVE NO ADVERSE AFFECT ON OTHER TRADES, THE CONSTRUCTION SCHEDULE, OR THE SPECIFIED WARRANTY REQUIREMENTS.
- NO STRUCTURAL MEMBERS SHALL BE CUT, NOTCHED OR OTHERWISE PENETRATED UNLESS SPECIFICALLY APPROVED BY THE STRUCTURAL ENGINEER IN ADVANCE OR SHOWN ON THESE DRAWINGS.
- THE CONTRACTOR SHALL VERIFY ALL DIMENSIONS PRIOR TO STARTING CONSTRUCTION. IN THE EVENT OF A CONFLICT, THE STRUCTURAL ENGINEER AND AMERICAN TANK ARE TO BE NOTIFIED IMMEDIATELY. DRAWING SCALES GIVEN ARE APPROXIMATE - DO NOT SCALE PLANS OR DETAILS.
- SITE VISITS BY STRUCTURAL ENGINEER SHALL NOT BE IN LIEU OF INSPECTIONS.

DESIGN CRITERIA:

TANK DESIGNED STRUCTURALLY IN CONFORMANCE WITH THE 2013 CALIFORNIA BUILDING CODE.

OCCUPANCY (OWNER SPECIFIED)

CBC CATEGORY	IV }	DOMESTIC WATER TANK - 16K GROSS
AWMA SEISMIC USE GROUP	III }	
CBC CATEGORY	IV }	FIRE WATER TANK - 84K GROSS
AWMA SEISMIC USE GROUP	III }	

LIVE LOADS
COVER 20 PSF (REDUCIBLE) TYP

SNOW LOADS
Pg = 0 PSF (ASCE 7-10 FIGURE 7-1)
Pf = 25 PSF (OWNER REQUEST)

LATERAL LOADS
WIND EXPOSURE C
WIND SPEED 110 MPH (3 SEC GUST) DOMESTIC / 115 MPH FIRE

SEISMIC
V = EQUIVALENT LATERAL FORCE PROCEDURE BASE SHEAR
 $V = \sqrt{(C_{sw}W)^2 + (C_{sc}W_c)^2} = 40.020\#$ DOMESTIC / 175,000# FIRE
IMPULSIVE: $C_{sw} = \frac{S_{ps} I_e}{1.4 R_d} = 0.41$ DOMESTIC / 0.62 FIRE
CONVECTIVE: $C_{sc} = \frac{1.5 S_{ps} I_e}{1.4 T_c R_c} = 0.39$ DOMESTIC / 0.39 FIRE

$R_d = 3.0$ SITE CLASS = D
 $R_c = 1.5$
 $I_e = 1.0$ $S_s = 2.583$ $F_a = 1.00$ $S_{ps} = 1.722$
 $T_c = 2.28$ DOMESTIC $S_1 = 1.240$ $F_v = 1.50$ $S_{p1} = 1.240$
3.45 FIRE

FLOOD DESIGN DATA
TANK NOT LOCATED IN FLOOD HAZARD AREA

SPECIAL LOADS
NONE APPLICABLE

STRUCTURAL SHEET INDEX:

SHEET 1	GENERAL NOTES & ABBREVIATIONS	NUMBER OR LETTER IDENTIFYING PLAN, SECTION, ELEVATION OR DETAIL
SHEET 2A	16K GROSS - PLAN, SECTION & DETAILS	
SHEET 2B	84K GROSS - PLAN, SECTION & DETAILS	
SHEET 3	ACCESSORY DETAILS	
SHEET 4A	16K ACCESSORY LAYOUT	
SHEET 4B	84K ACCESSORY LAYOUT	

SHEET NUMBER WHERE PLAN, SECTION, ELEVATION OR DETAIL IS LOCATED. A DASH INDICATES THAT THE PLAN, SECTION, ELEVATION OR DETAIL OCCURS ON THE SAME SHEET FROM WHICH IT IS BEING REFERENCED.

DATE:	9/1/15
DESCRIPTION:	SUBMITTAL RESPONSE
REV #:	1
DATE:	08-26-2015
CONTRACTOR:	AMERICAN TANK CO., INC.
ENGINEER REF #:	08001
SCALE:	N/A
DRAWN BY:	MTG

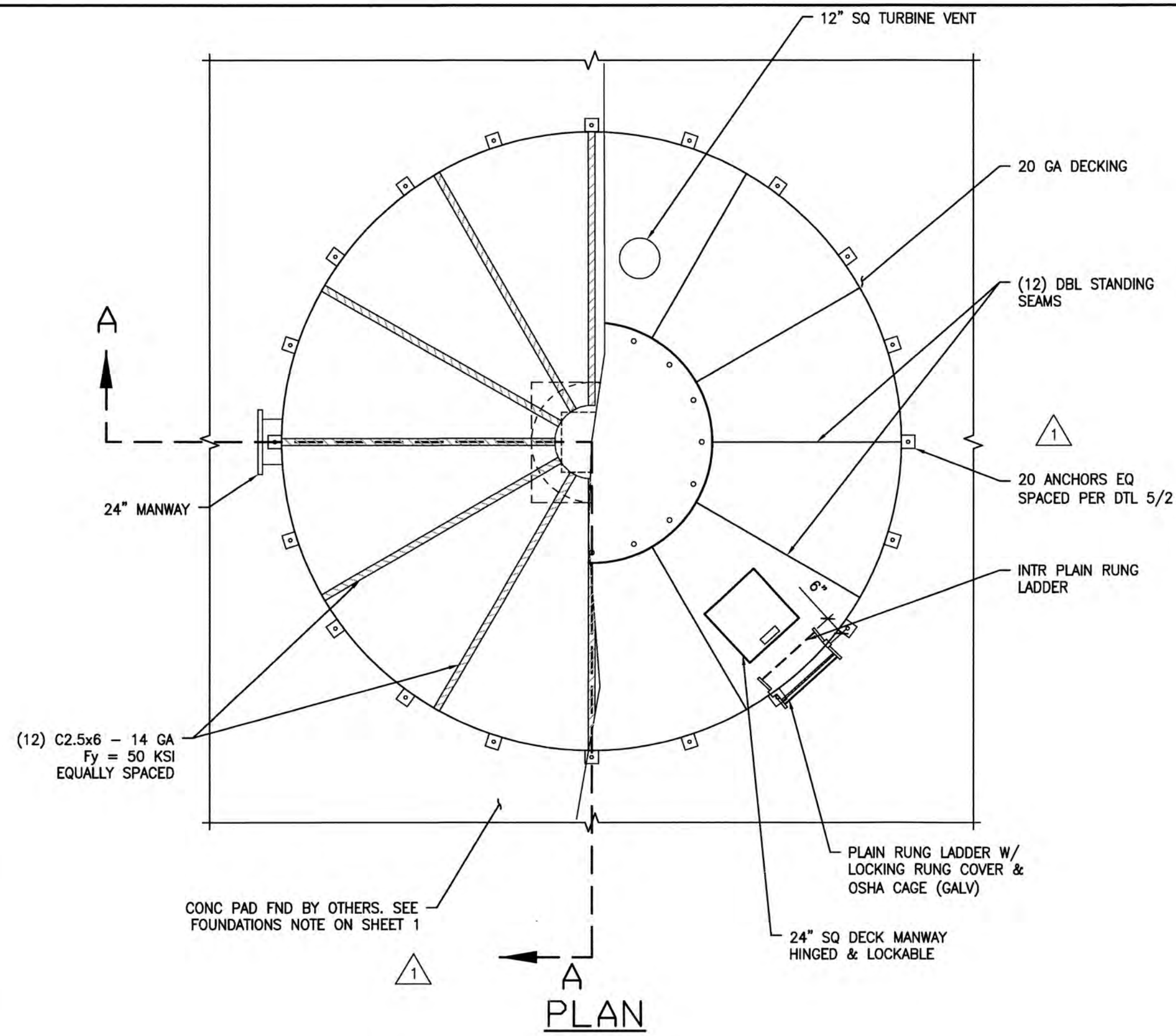
CYS
STRUCTURAL ENGINEERS INC.
600 AMERICAN WAY, WINDSOR, CA 95092
CYS No. 18010045

CUSTOMER / PROJECT INFORMATION:
NESTLEDOWN LLC
22420 OLD SANTA CRUZ HWY
LOS GATOS, CA 95033

DRAWING TITLE:
BH CLASSIC CORRUGATED
GENERAL NOTES & ABBREVIATIONS

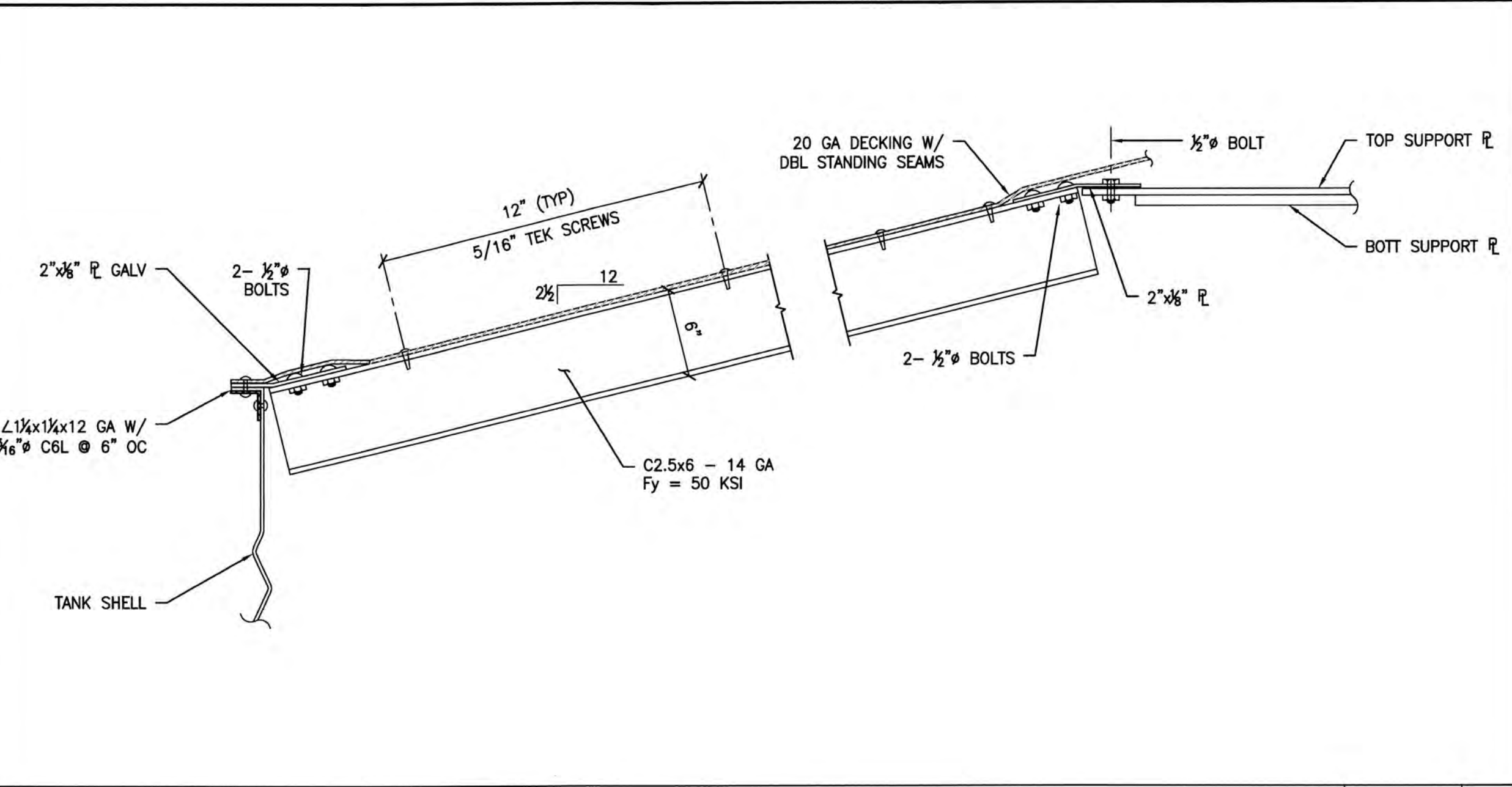
DRAWING NUMBER:
1

L:\Jobs\141010 ATC American Tank Company\Task 045 Nestledown LLC Classic 27x15\STRUSZA_TASK 045.dwg Time: Sep 03, 2015 10:55am Login: camachom Dimstyle: 32 LT Scale: 16



16K GROSS - WATER TANK PLAN

NO SCALE 7



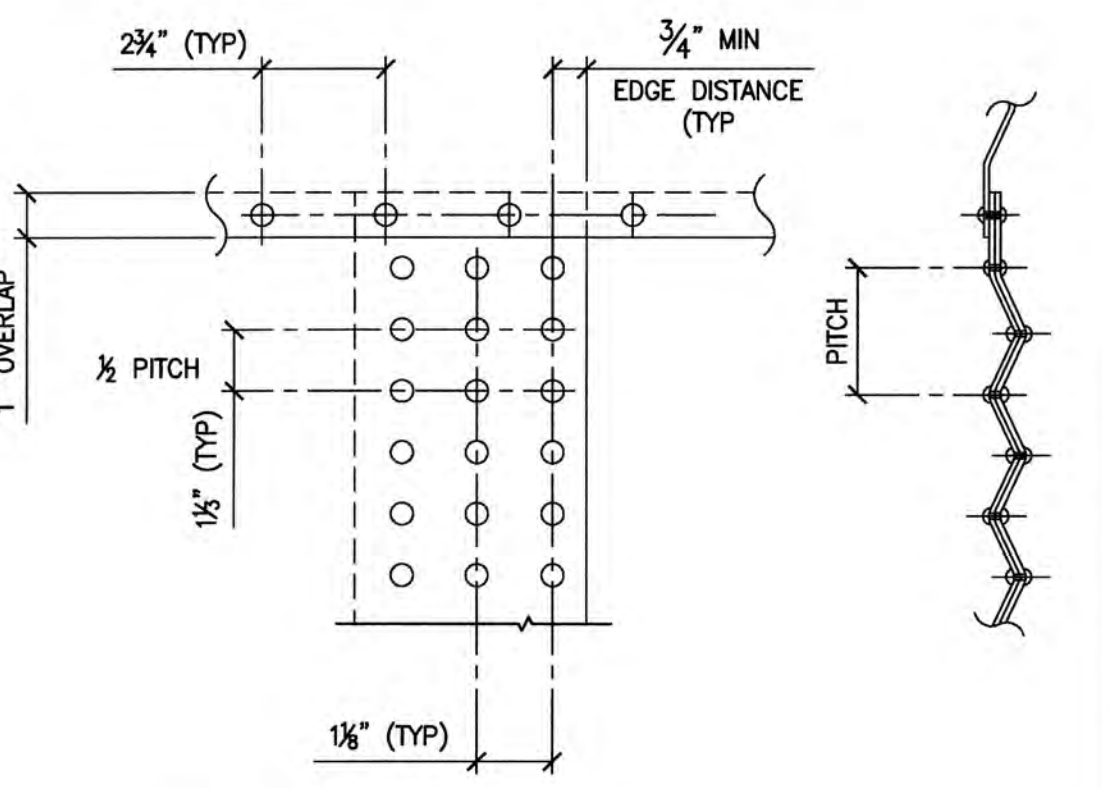
DETAIL

NO SCALE 3

- NOTES: (UNLESS OTHERWISE SPECIFIED)
- TANK DECK, SHELL, & BOTT MATERIAL: STEEL-HOT DIPPED GALV CARBON STEEL; G-90 PRIME (0.9 OZ. ZINC PER SQ FT) ASTM A-653-00, SS W/ MIN YIELD STRENGTH OF 50 KSI.
 - SIDE SHELL MADE UP OF CORRUGATED GALV (2-2/3" PITCH; 5/8" DEPTH) SHTS.
 - INTR COATING SHALL BE P-1 POWDERCOAT.
 - TANK TO BE FASTENED TOGETHER & SEALED ON SITE. RIVETS SHALL BE ALCOA FASTENING SYSTEMS-HUCK, MAGNA-GRIP (STEEL) RIVETS CONFORMING TO SAEJ428 GRADE 2.
 - NOZZLES & APPURTENANCES TO BE ORIENTED IN THE FIELD.
 - PLATES & SHAPES TO BE ASTM A36 & MB TO BE ASTM A307, GR B.
 - SHOP WELDING ONLY, NO FIELD WELDING.
 - SUB-GRADE PREPARATION & AREA DRAINAGE BY OTHERS.
 - HATCHES TO HAVE CONFINED ENTRY WARNING PLACARDS.

NOTES

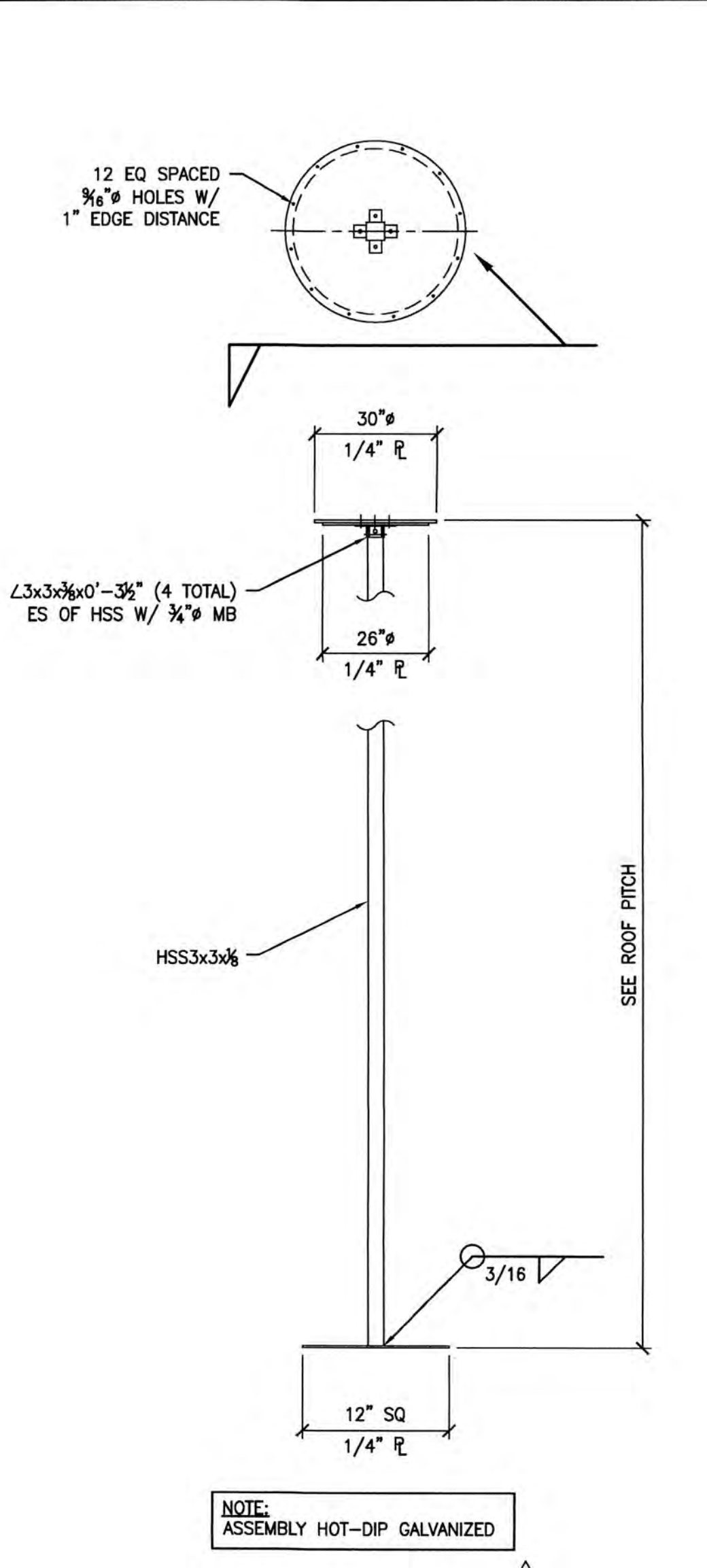
NO SCALE 6



NOTE: THIS DTL PROVIDES MIN SPACING FOR C6L FASTENERS & MORE OR LESS ROWS MAY BE NEEDED AS PER THE NO. OF C6L FASTENERS CALLED OUT IN SECTION A-A.

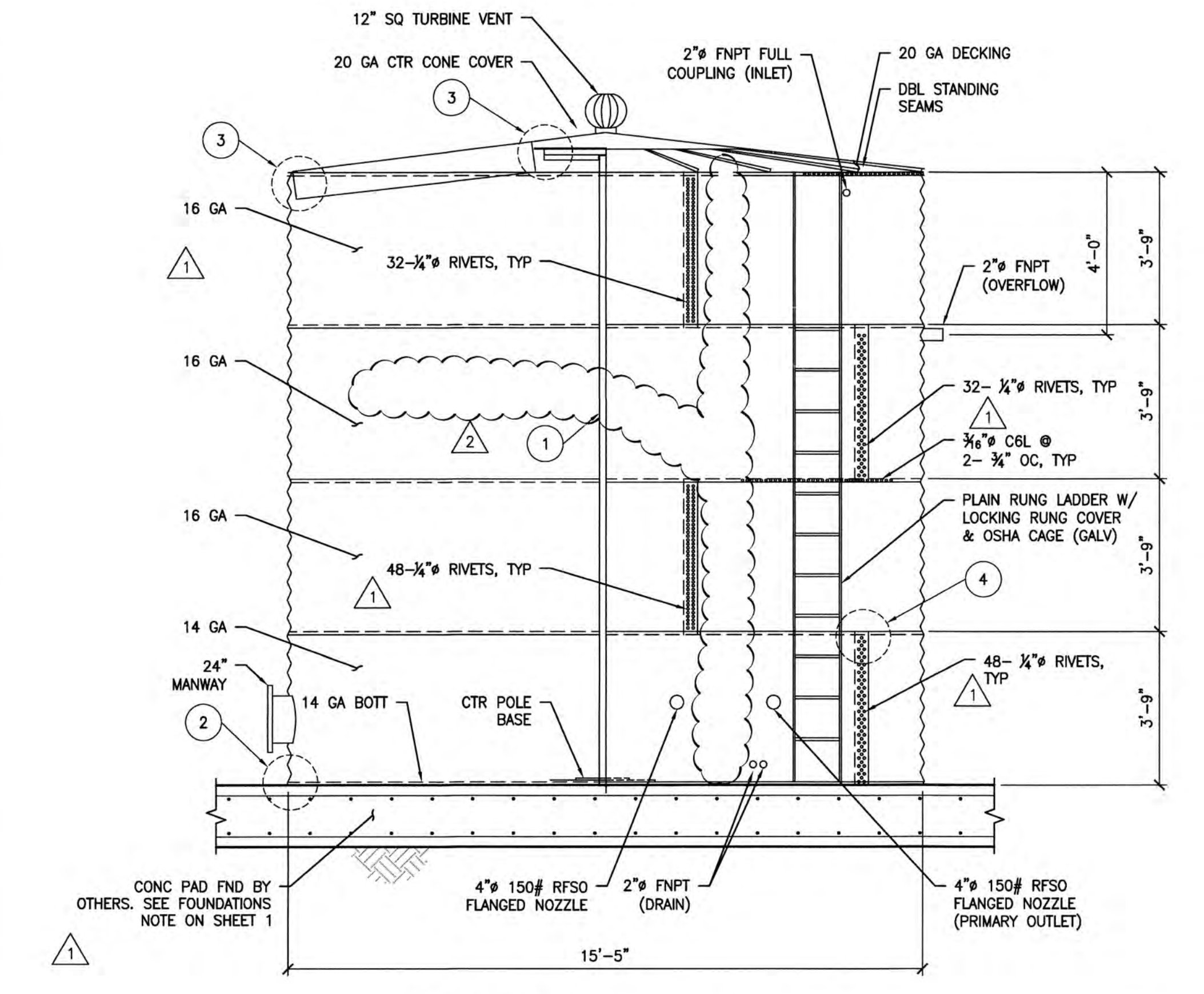
DETAIL

NO SCALE 4



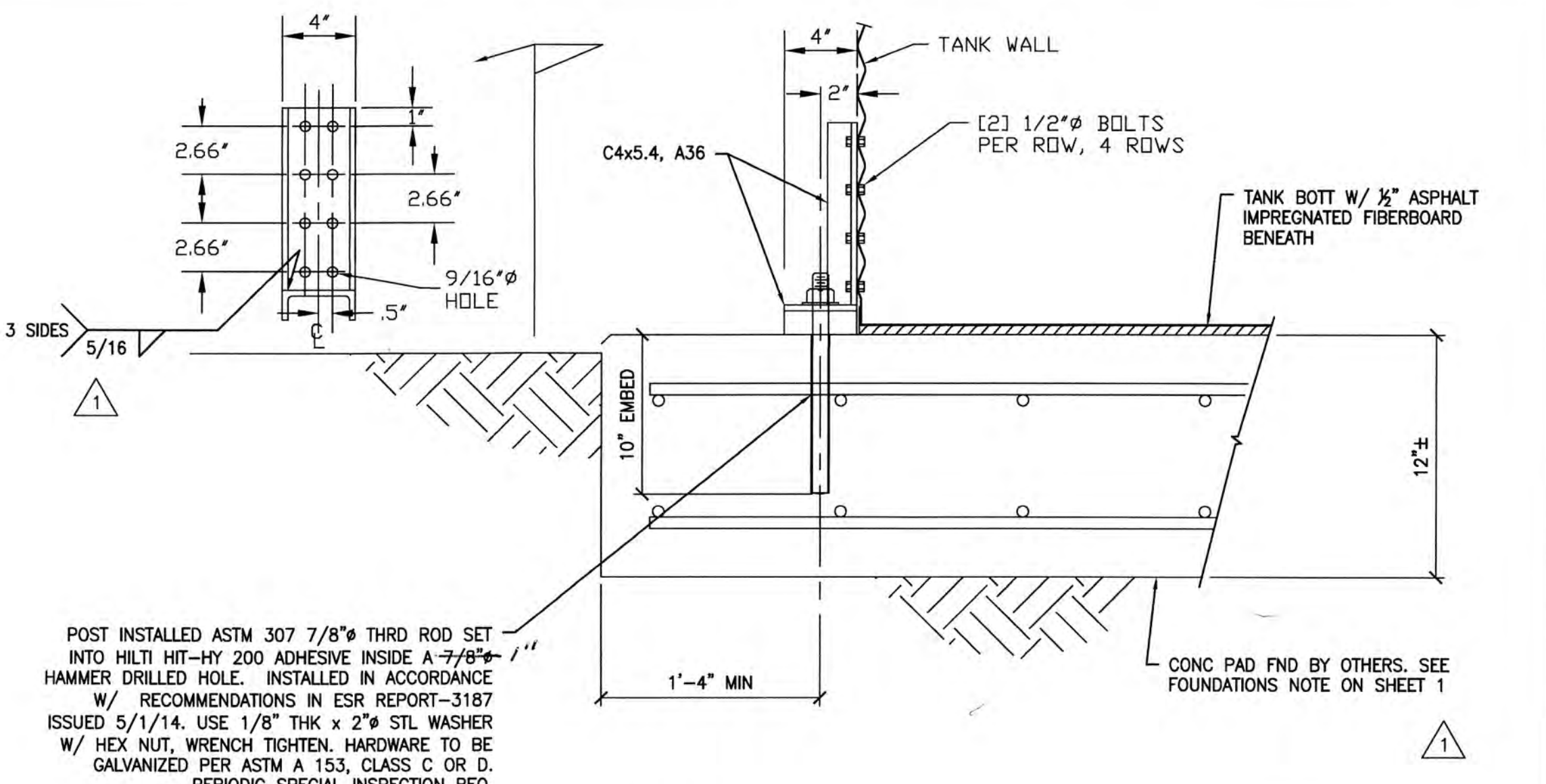
CENTER POLE DETAIL

NO SCALE 1



SECTION A - A

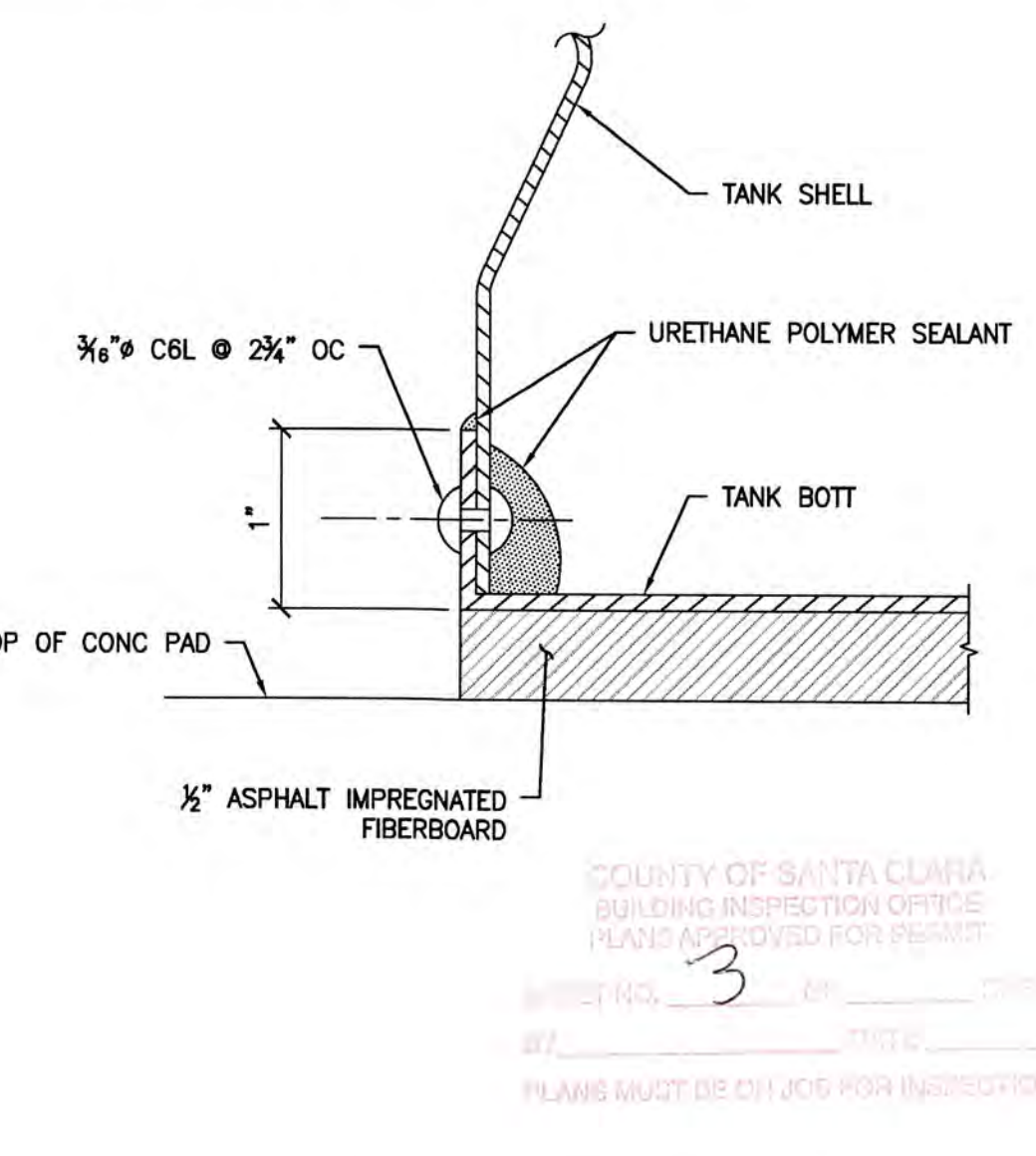
NOTE: LOCATE-ALIGN ALL APPURTENANCES IN FIELD. SEE SHEET 4A



POST INSTALLED ASTM 307 7/8\"/>

HOLDOWN DETAIL

NO SCALE 5



DETAIL

NO SCALE 2

DATE	9/1/15
DESCRIPTION	SUBMITTAL RESPONSE
REV #	1
DATE	08-26-2015
CONTRACTOR	AMERICAN TANK CO.
CUSTOMER REF #	
ENGINEER REF #	
SCALE	N/A
DRAWN BY	MTC
DATE	9/9/15
DESCRIPTION	FOR CONSTRUCTION

CONTRACTOR: AMERICAN TANK CO. ENGINEER: MTC

REGISTERED PROFESSIONAL ENGINEER
 CIVIL ENGINEERING
 No. 88881
 STATE OF CALIFORNIA
 ENGINEER'S SEAL

CYS
 CIVIL ENGINEERING
 600 AMERICAN WAY, WINDSOR, CA 95492
 (916) 938-1111

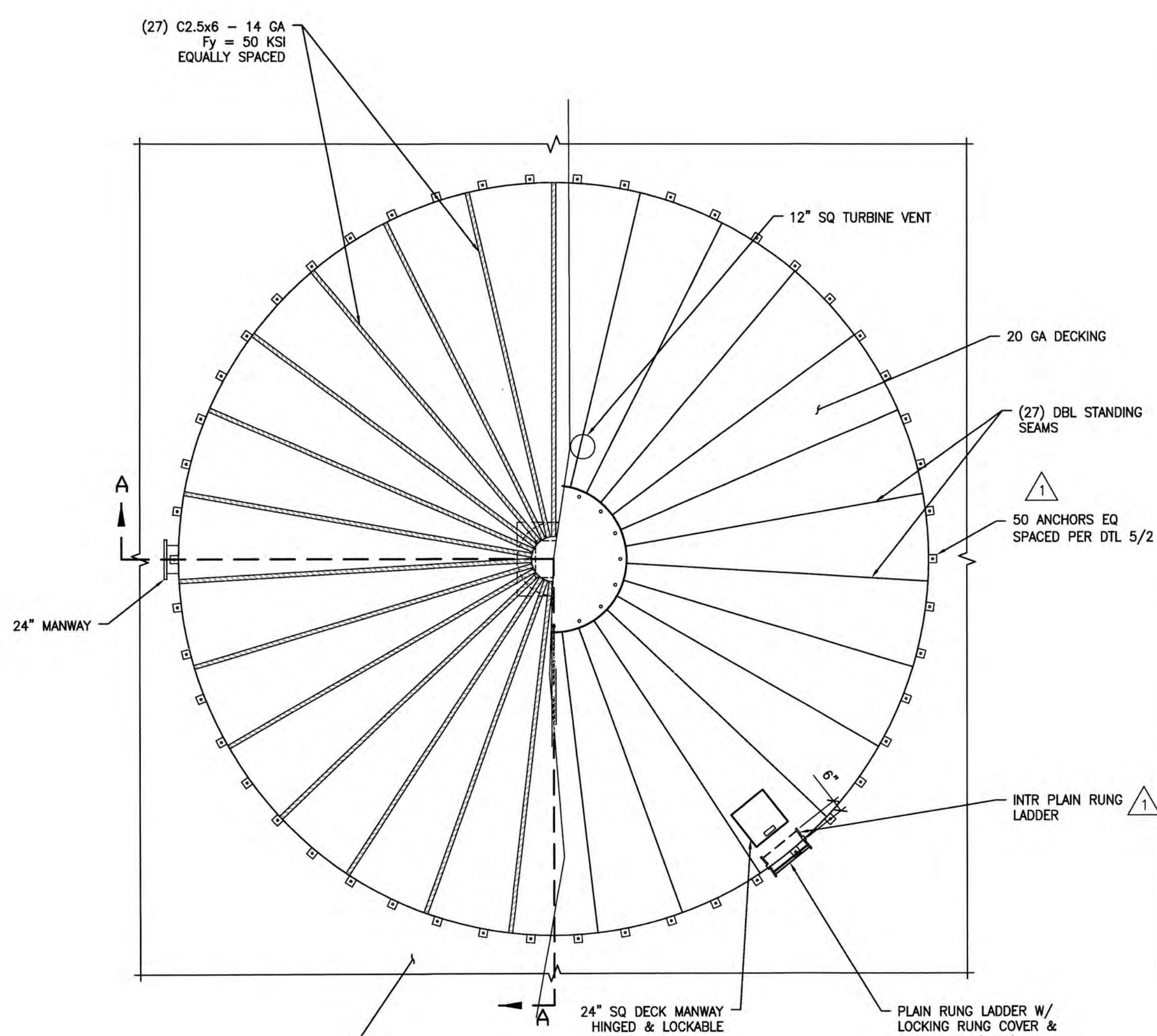
BH TANK WORKS
American Tank Co
 AMERICAN TANK CO., INC. 800-655-9100
 600 AMERICAN WAY, WINDSOR, CA 95492

CUSTOMER / PROJECT INFORMATION:
NESTLEDOWN LLC
 22420 OLD SANTA CRUZ HWY
 LOS GATOS, CA 95033

DRAWING TITLE:
BH CLASSIC CORRUGATED 16K GROSS - WATER TANK PLAN, SECTION & DETAILS

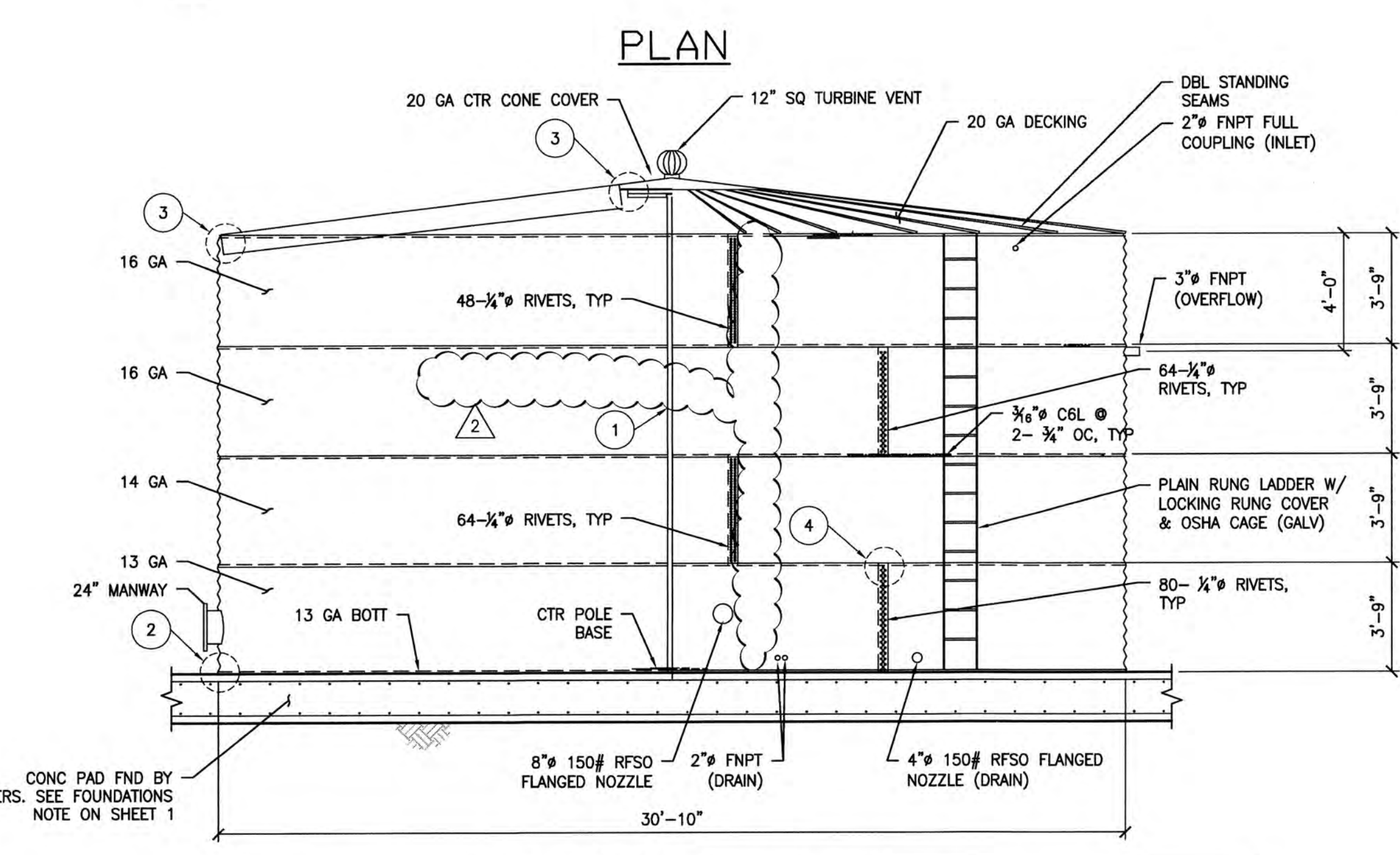
DRAWING NUMBER:
2A

L:\Jobs\141470 ATC American Tank Company\Task 045 NESTDOWN LLC Classic 27x15 STRUS2B_TASK 045.dwg Time: 03/20/2015 10:55am Login: camachom DimScale: 1"=1' Scale: 1/8"



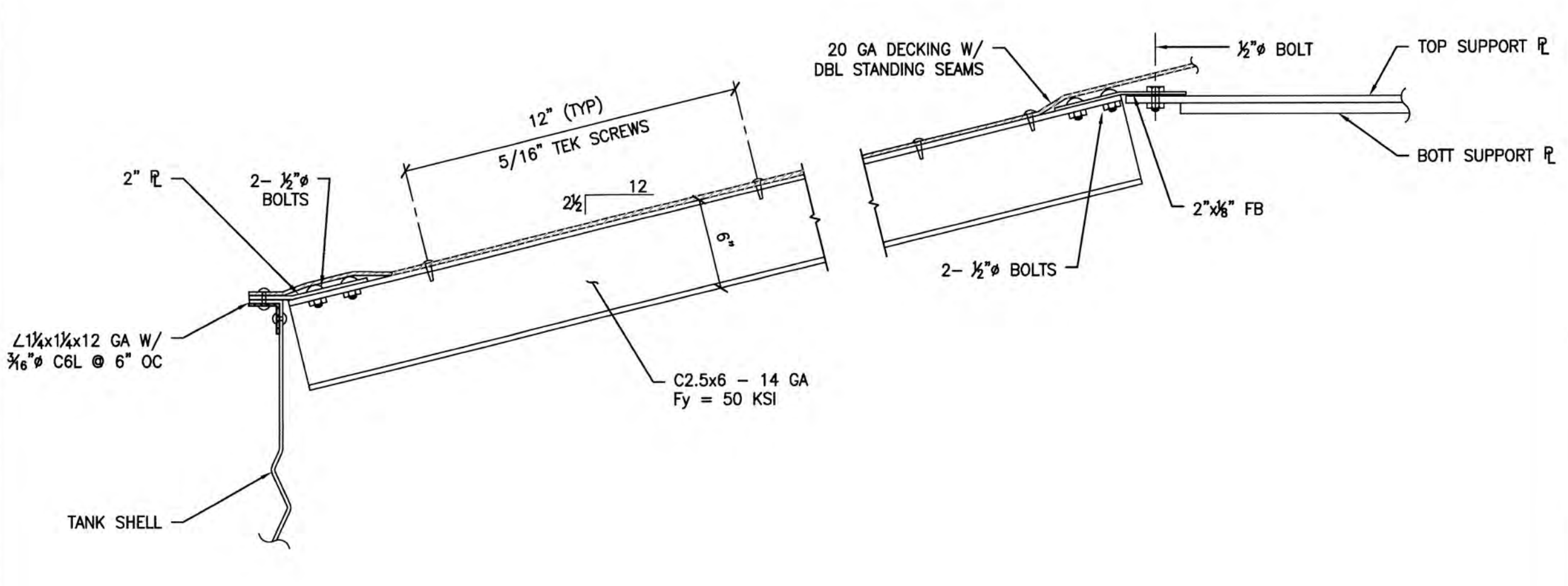
84K GROSS - WATER TANK PLAN

NO SCALE 7



SECTION A - A

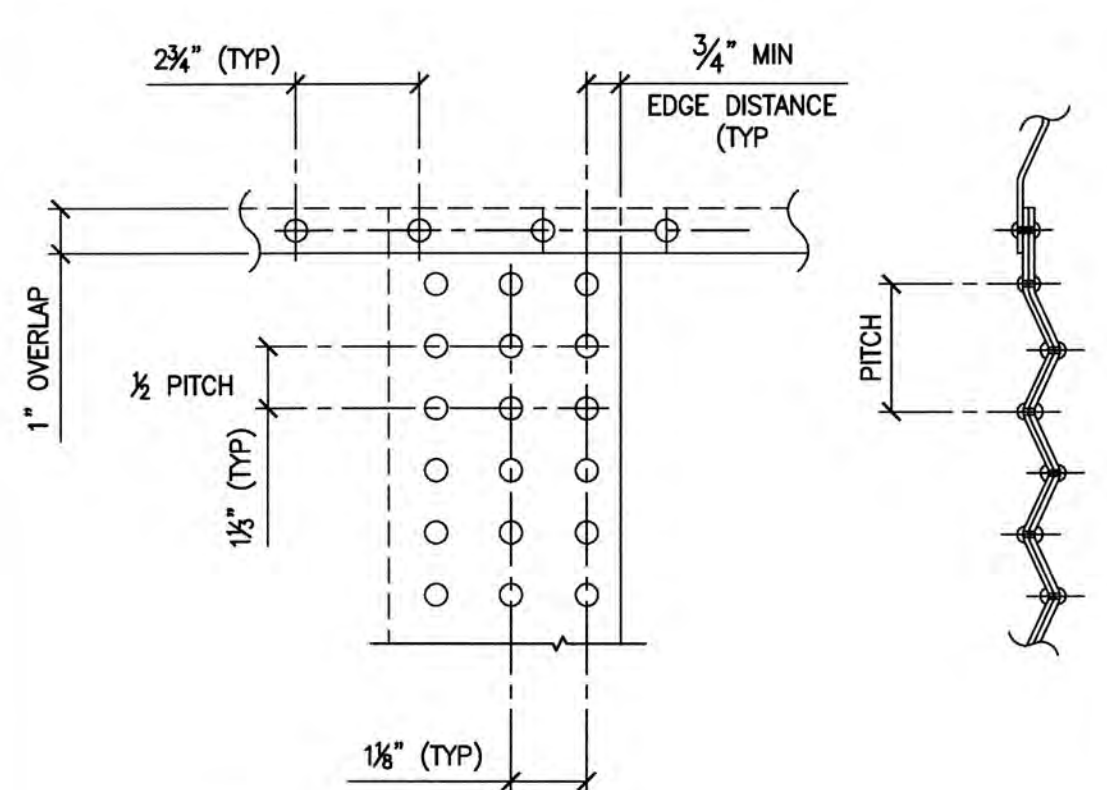
NOTE: LOCATE-ALIGN ALL APPURTENANCES IN FIELD. SEE SHEET 4B



DETAIL

NO SCALE 3

- NOTES: (UNLESS OTHERWISE SPECIFIED)
- TANK DECK, SHELL, & BOTTL MATERIAL: STEEL-HOT DIPPED GALV CARBON STEEL; G-90 PRIME (0.9 OZ. ZINC PER SQ FT) ASTM A-653-00, SS W/ MIN YIELD STRENGTH OF 50 KSI.
 - SIDE SHELL MADE UP OF CORRUGATED GALV (2-2/3" PITCH; 5/8" DEPTH) SHTS.
 - INTR COATING SHALL BE (FARBERTITE).
 - TANK TO BE FASTENED TOGETHER & SEALED ON SITE. RIVETS SHALL BE ALCOA FASTENING SYSTEMS-HUCK, MAGNA-GRIP (STEEL) RIVETS CONFORMING TO SAEJ428 GRADE 2.
 - NOZZLES & APPURTENANCES TO BE ORIENTED IN THE FIELD.
 - PLATES & SHAPES TO BE ASTM A36 & MB TO BE ASTM A307, OR B.
 - SHOP WELDING ONLY, NO FIELD WELDING.
 - SUB-GRADE PREPARATION & AREA DRAINAGE BY OTHERS.
 - HATCHES TO HAVE CONFINED ENTRY WARNING PLACARDS.



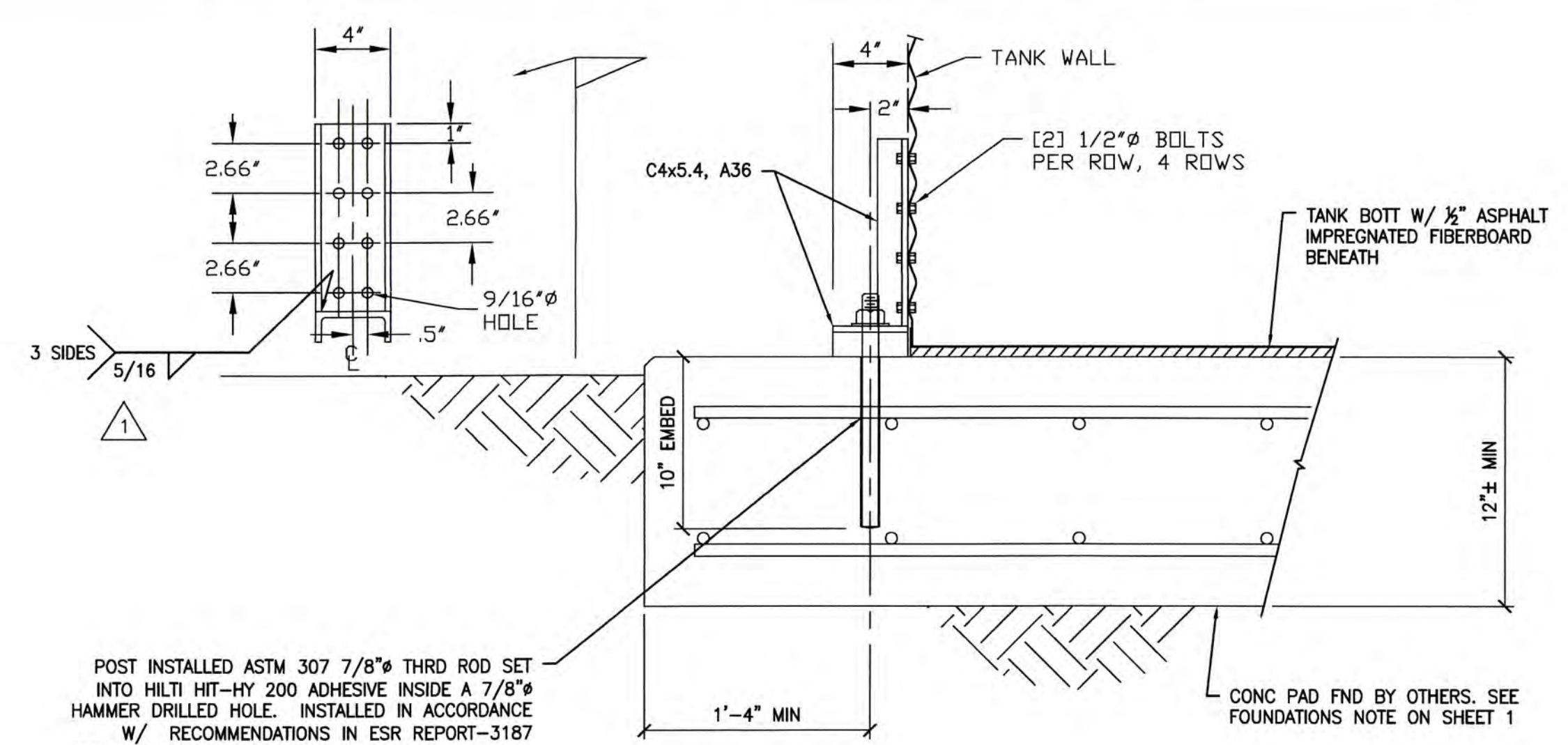
NOTE: THIS DTL PROVIDES MIN SPACING FOR C6L FASTENERS & MORE OR LESS ROWS MAY BE NEEDED AS PER THE NO. OF C6L FASTENERS CALLED OUT IN SECTION A-A.

NOTES

NO SCALE 6

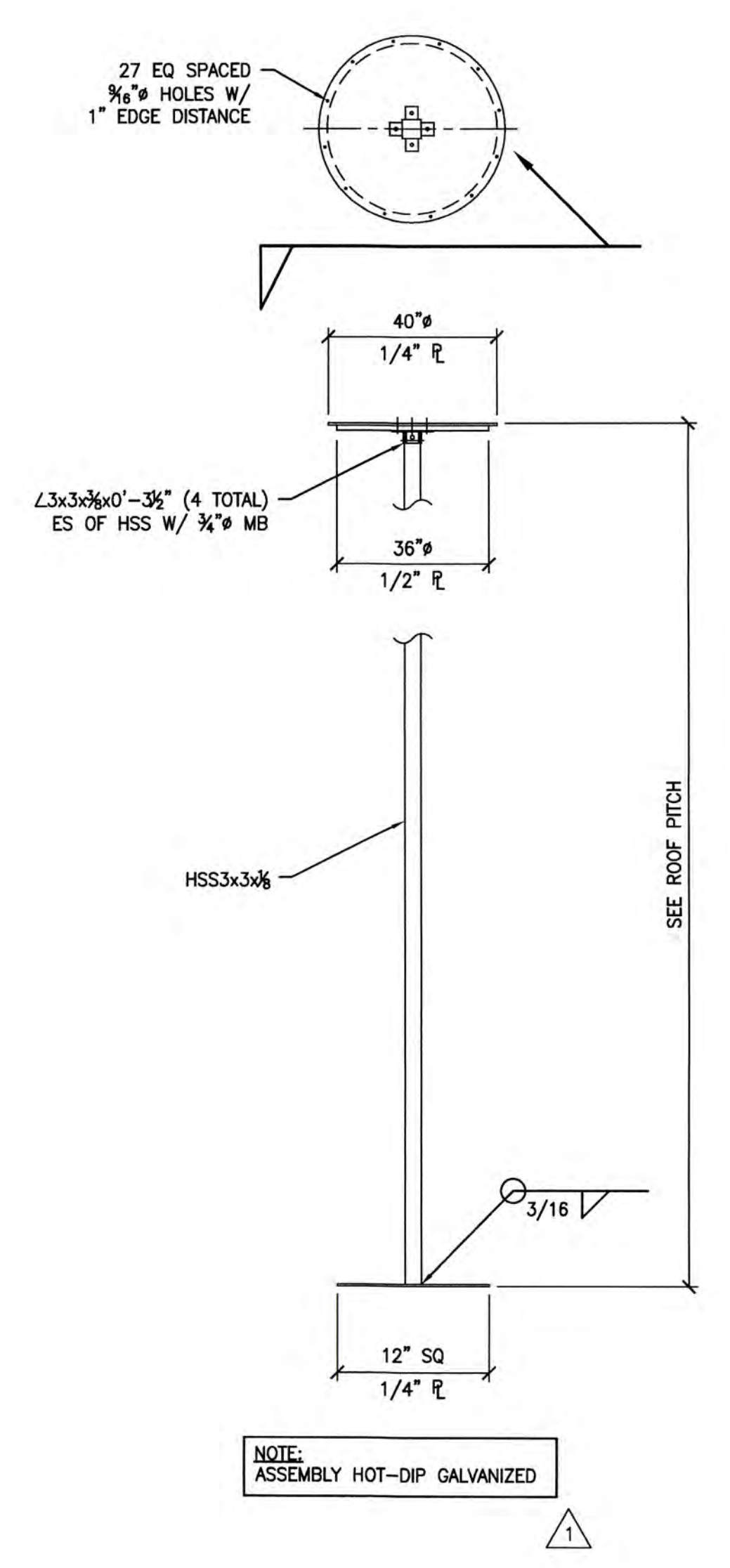
DETAIL

NO SCALE 4



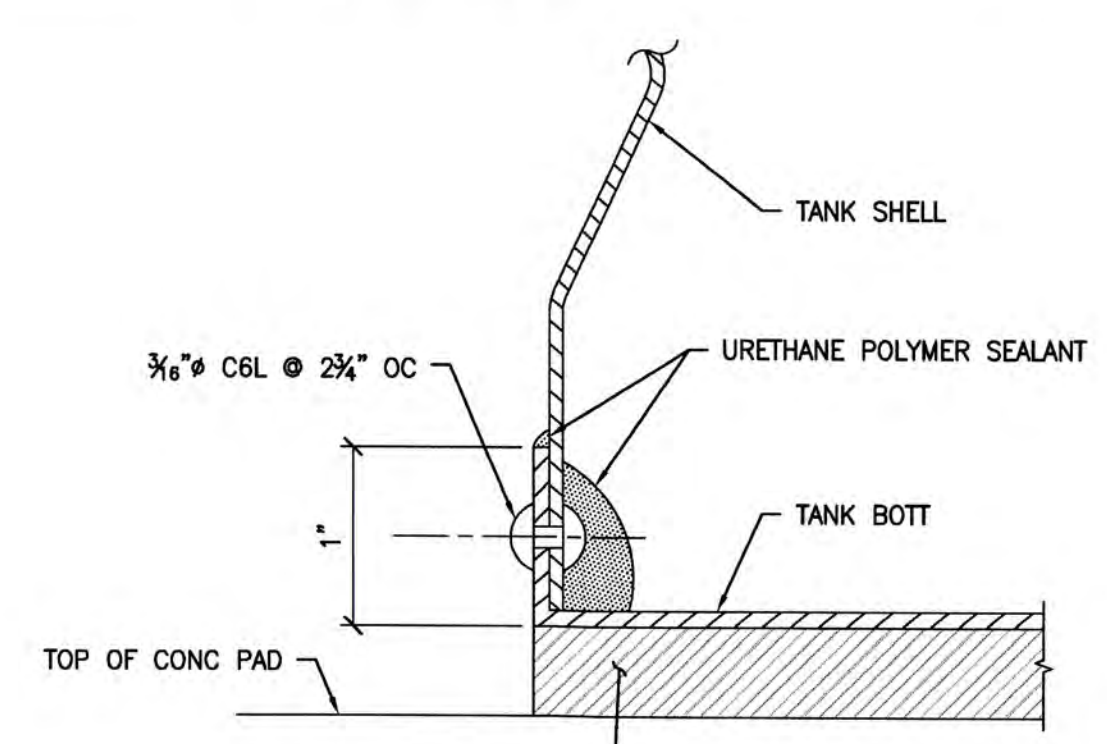
HOLDOWN DETAIL

NO SCALE 5



CENTER POLE DETAIL

NO SCALE 1

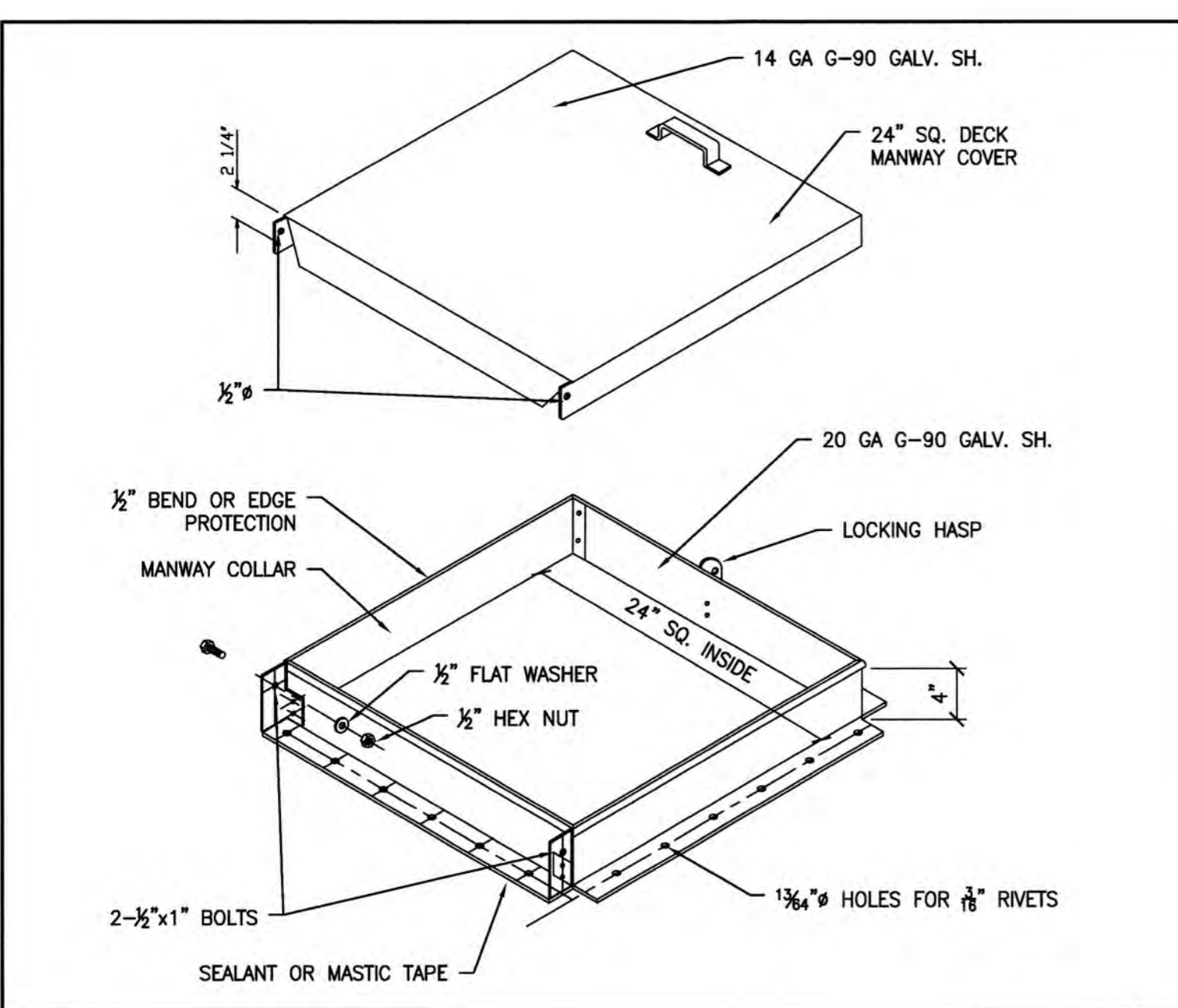


DETAIL

NO SCALE 2

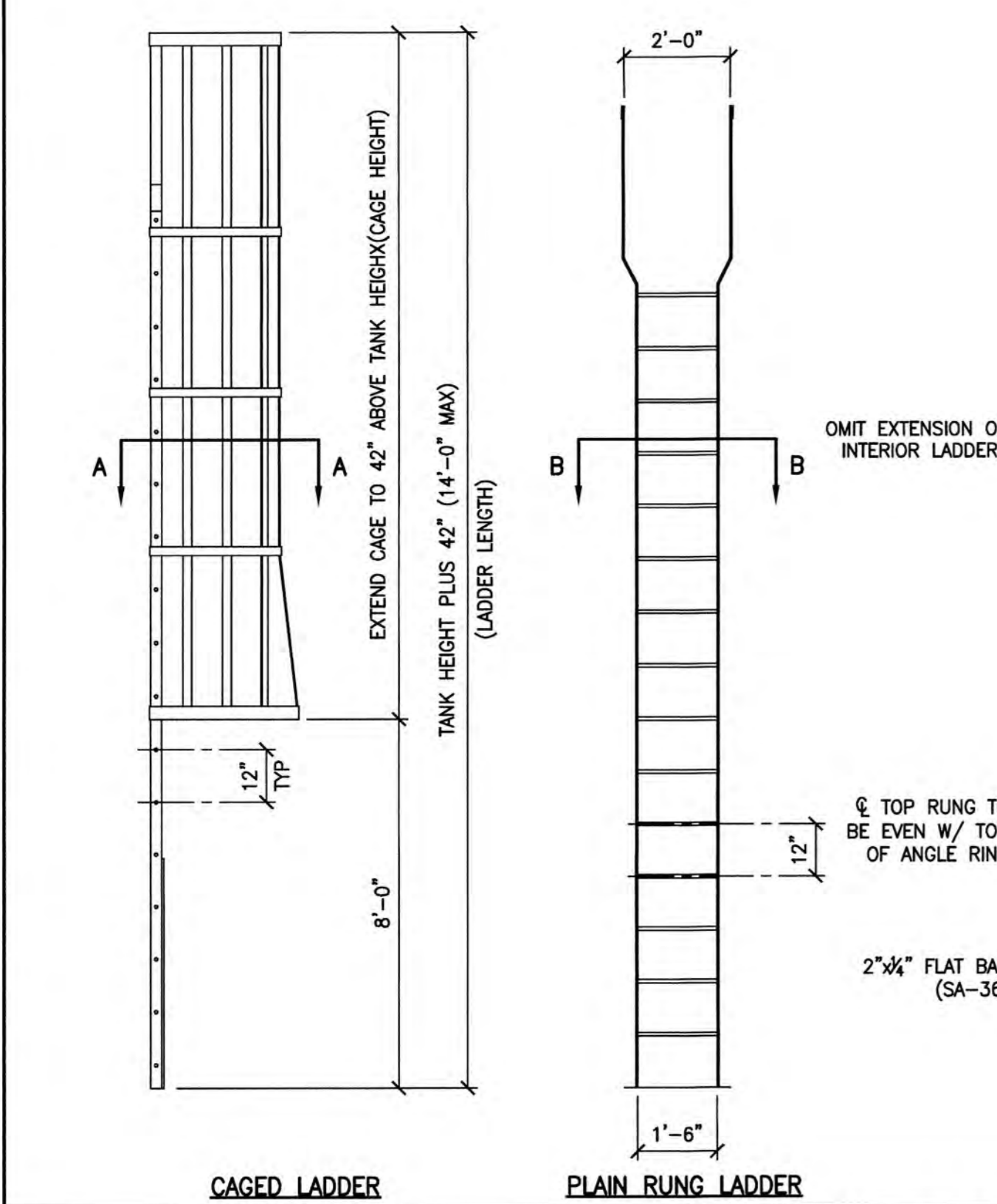
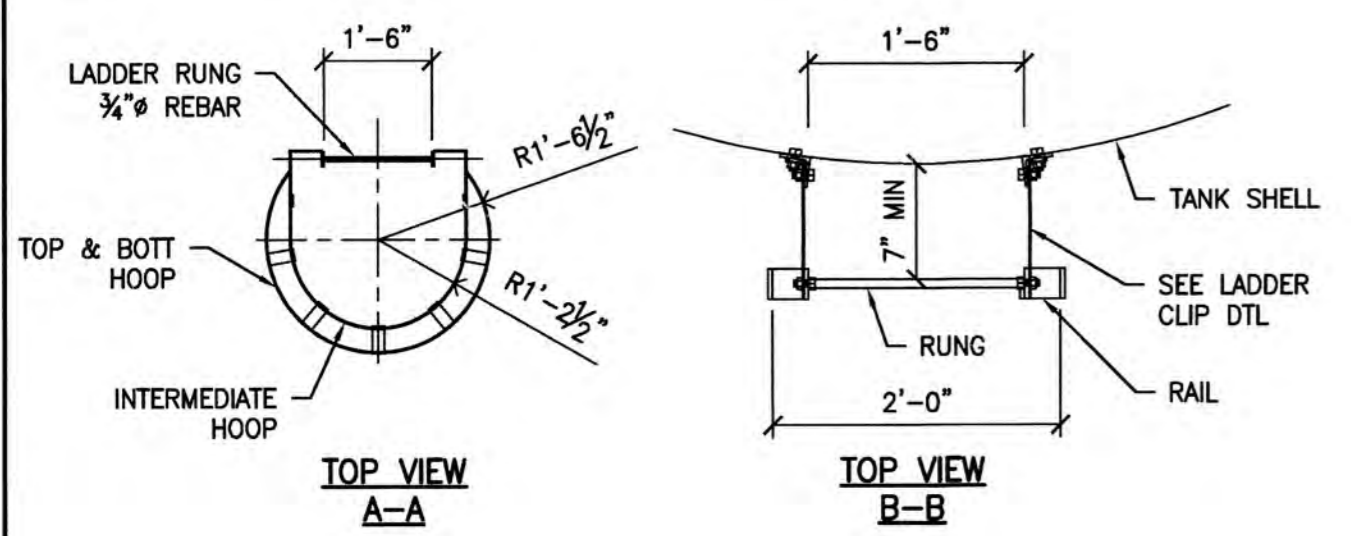
DATE:	9/1/15
DESCRIPTION:	SUBMITTAL RESPONSE
REV #:	1 FOR CONSTRUCTION
CONTRACTOR:	NESTDOWN LLC
CUSTOMER REF #:	08-26-2015
ENGINEER REF #:	
SCALE:	N/A
DRAWN BY:	MTG
CHECKED BY:	
APPROVED BY:	
REGISTERED PROFESSIONAL ENGINEER	STATE OF CALIFORNIA
CYS	800 AMERICAN WAY, WINDSOR, CA 95033
CUSTOMER / PROJECT INFORMATION: BH TANK WORKS American Tank Co 800 AMERICAN WAY, WINDSOR, CA 95033	
DRAWING TITLE: BH CLASSIC CORRUGATED 84K GROSS - PLAN, SECTION & DETAILS	
DRAWING NUMBER: 2B	

L:\Jobs\1414010 ATC American Tank Company\Task 045 Nestledown LLC Classic 27x1515STRUSS_TASK 045.dwg Time: Sep 03, 2015 - 10:55am Login: camachom Dimscale: 32 LT Scale: 16

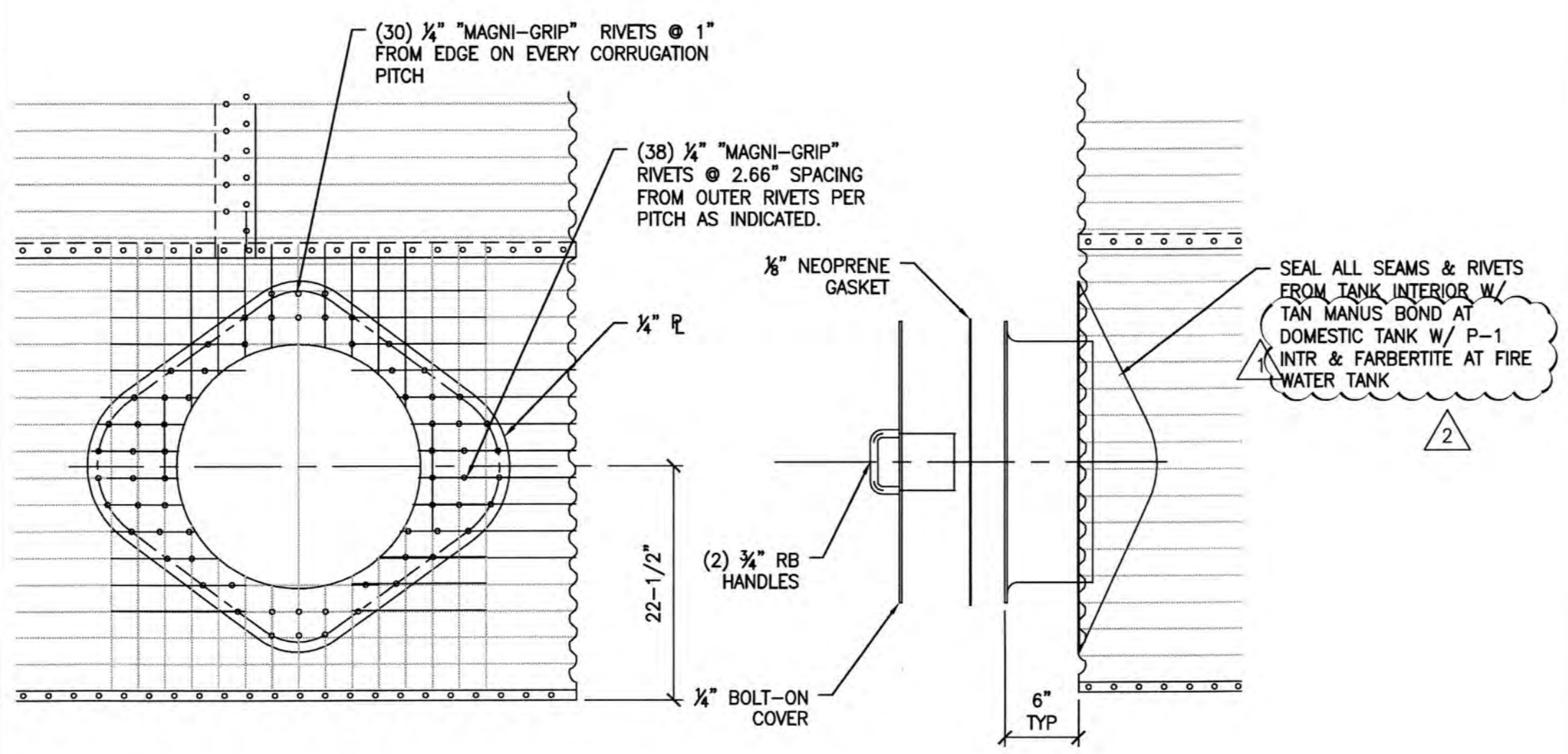


24" SQUARE HINGED ROOF MANWAY NO SCALE 1

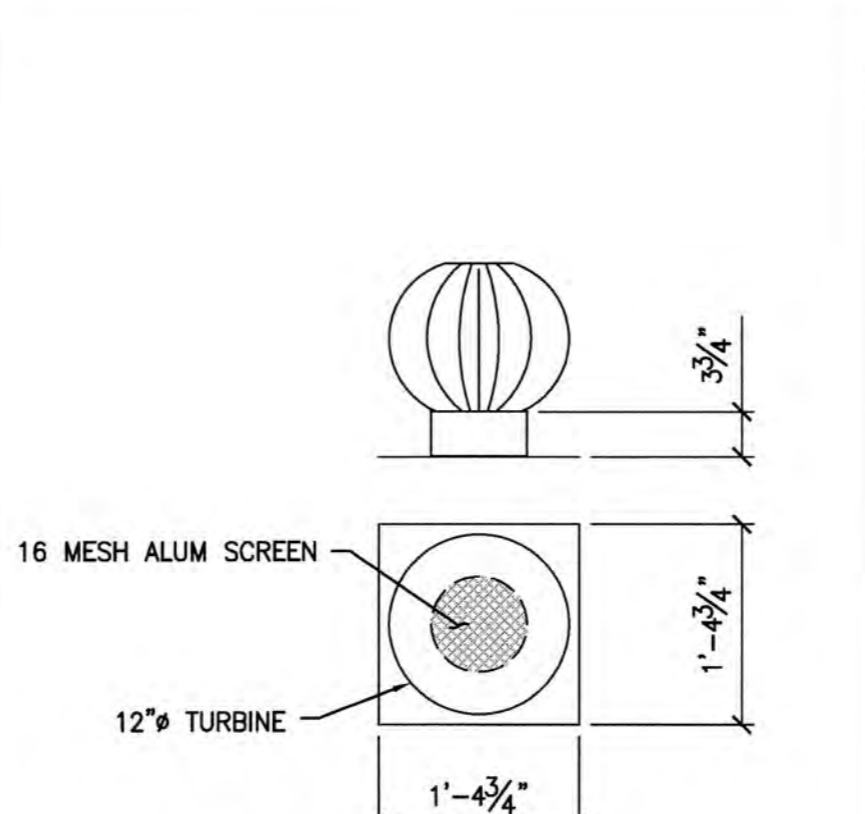
- NOTES:**
1. EXTERIOR LADDER COMPONENTS TO BE HOT-DIPPED GALVANIZED
 2. OSHA CAGES REQUIRED BY OWNER.
 3. RUNG COVER SECURITY DOOR IS REQUIRED BY OWNER.
 4. LADDER CLIPS TO BE WITHIN 12" OF TOP & BOTTOM AND MID-POINT OF TANK SHELL.
 5. LADDER CLIP SPACING NOT TO EXCEED 8' APART.
 6. RUNGS ARE 3/4" REBAR.
 7. INTERIOR LADDERS (WHERE PURCHASED) SIM TO EXTERIOR PLAIN RUNG LADDER.



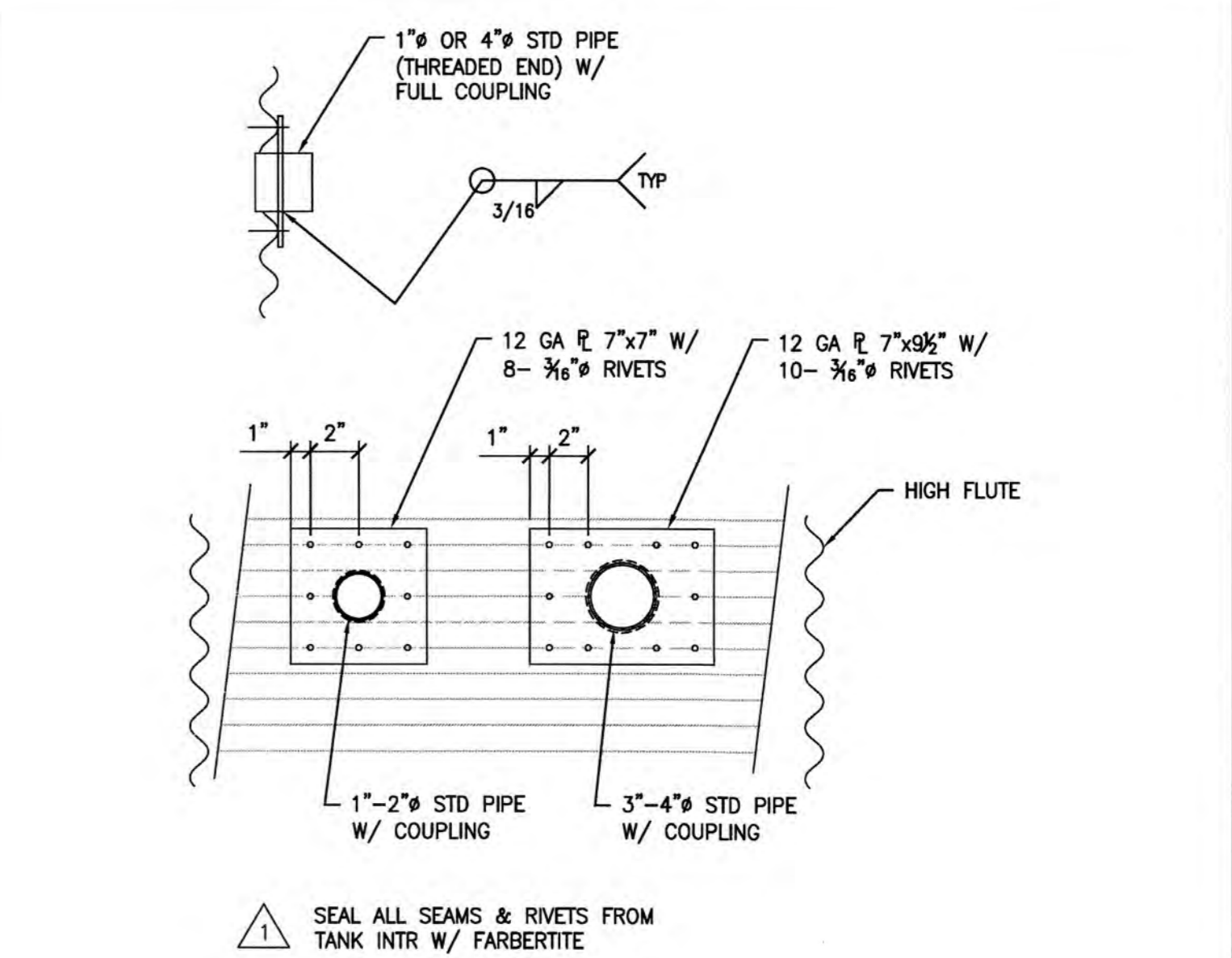
TYPICAL TANK LADDERS / COMPONENTS NO SCALE 6



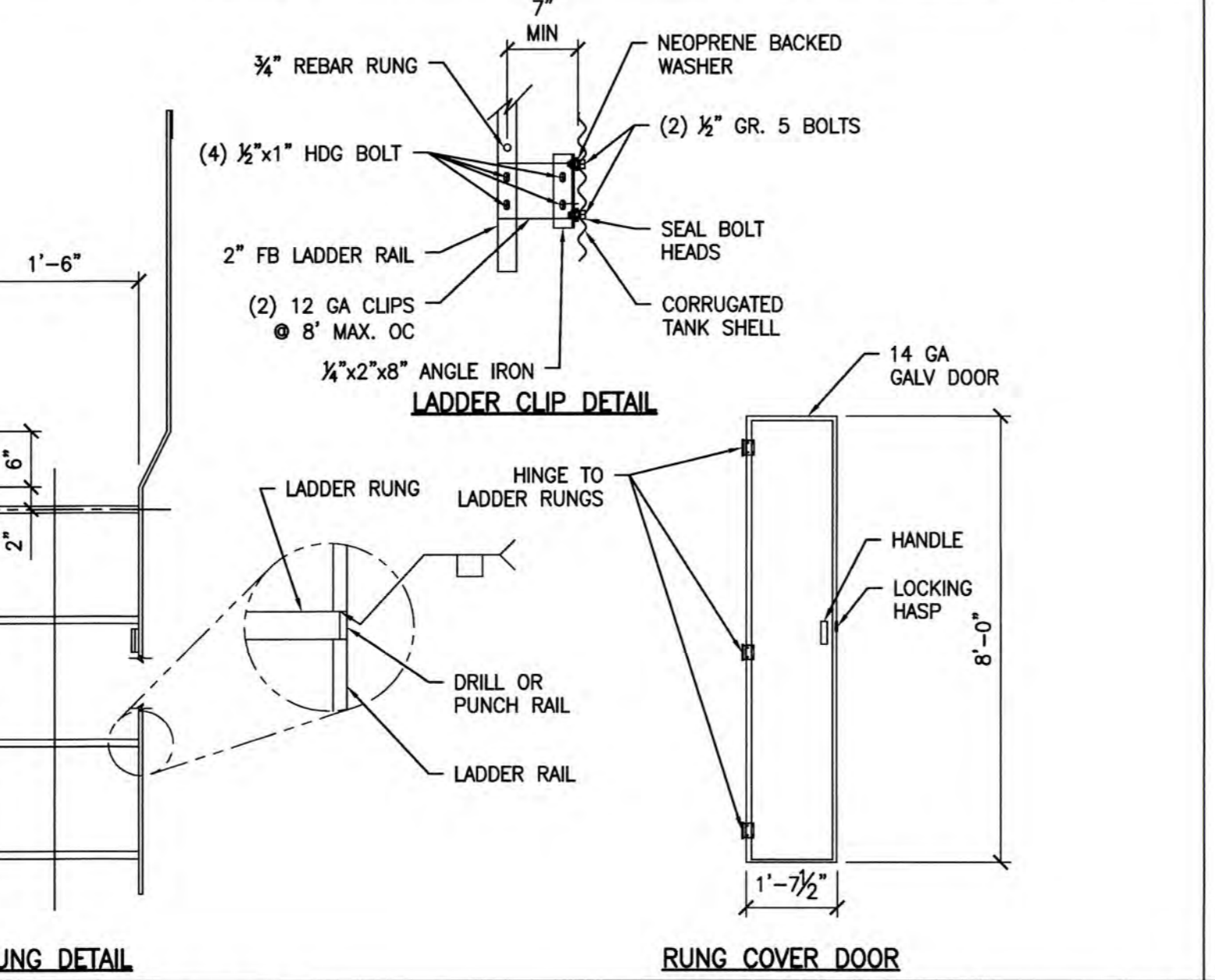
24" DIAMETER SHELL MANWAY WITH BOLT-ON COVER NO SCALE 3



12" TURBINE VENT NO SCALE 4



TYPICAL FULL COUPLING NO SCALE 5



LADDER CLIP DETAIL NO SCALE 6

CONTRACTOR	DATE	DESCRIPTION
CUSTOMER REF #	9/1/15	SUBMITTAL RESPONSE
ENGINEER REF #	9/9/15	FOR CONSTRUCTION
SCALE		
DRAWN BY	MTC	
DATE	08-26-2015	
PROJECT #		
ENGINEER #		
SCALE	N/A	
DRAWN BY	MTC	

CYS

 STRUCTURAL, ELECTRICAL, PLUMBING, MECHANICAL, & PIPING ENGINEERS

 600 AMERICAN WAY, WINDSOR, CA 95092

 CYS No. 14010.045

American Tank Co

 AMERICAN TANK CO., INC. 800-855-9100

 600 AMERICAN WAY, WINDSOR, CA 95092

CUSTOMER / PROJECT INFORMATION:

NESTLEDOWN LLC

 22420 OLD SANTA CRUZ HWY

 LOS GATOS, CA 95033

DRAWING TITLE:

BH CLASSIC CORRUGATED DETAILS

DRAWING NUMBER:

3

COUNTY OF SANTA CLARA

 BUILDING INSPECTION OFFICE

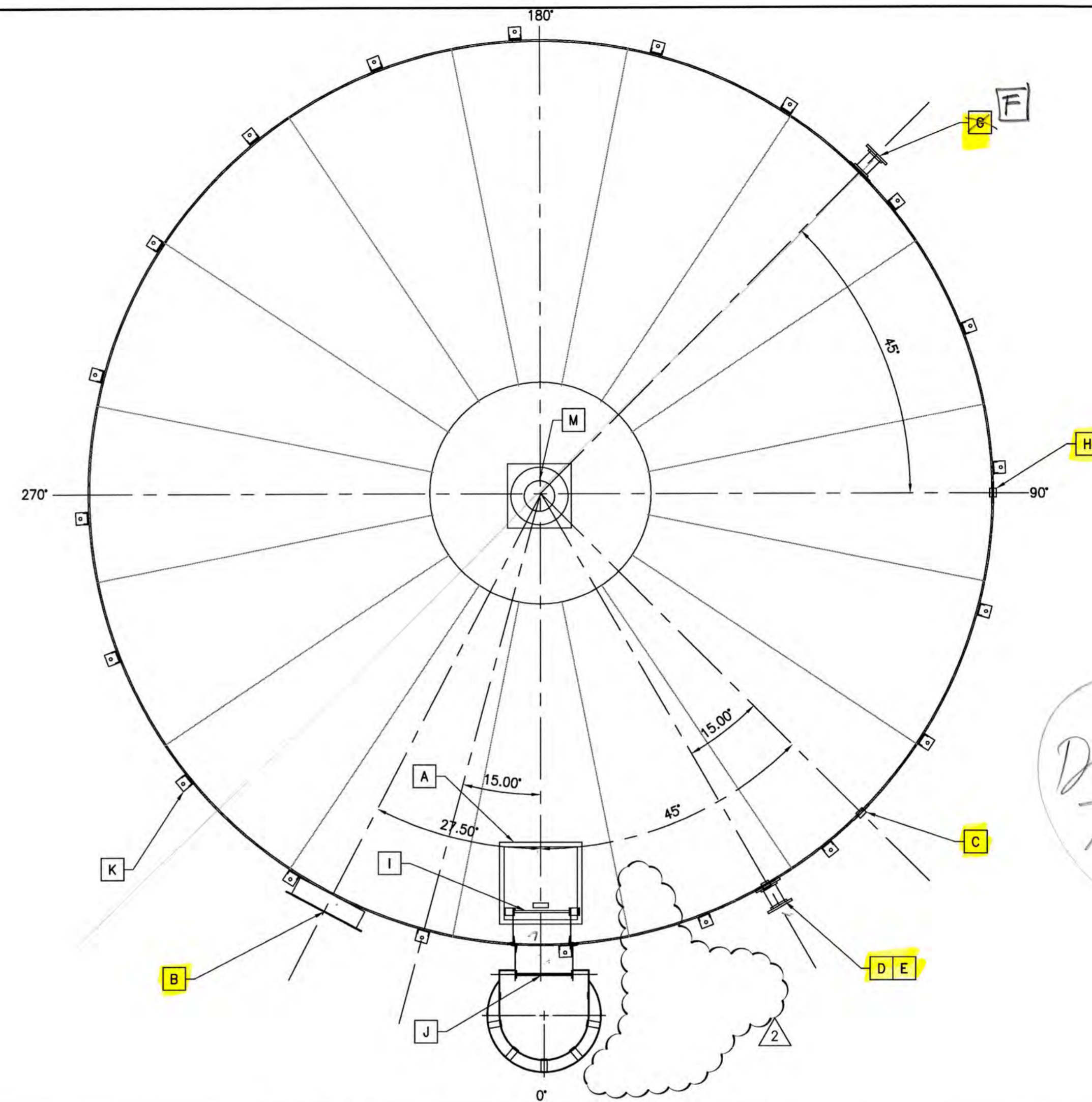
 TRAVA APPROVED FOR PERMIT

 5 OF SHEETS

ACCESSORY SCHEDULE					
REF	USE	SIZE	FTG. TYPE	ELEV. O.C.	COMPASS
A	ROOF MANWAY	24" SQ.	HINGED	N/A	0'
B	SIDE-SHELL MANWAY	24"ø	BOLT-ON	1'-11½"	332.5'
C	INLET	2"ø	FNPT	AS CLOSE TO TOP AS ABLE	45'
D	OVERFLOW	2"ø	FNPT	10'-8"	30'
E	DRAIN	4"ø	150# RFSO	AS CLOSE TO BOTM AS ABLE	30'
F	OUTLET	4"ø	150# RFSO	1'-0"	135'
H	SAMPLE PORT	(2)-2"ø	FNPT	24" & 36"	90'
I	INT. LADDER	1'-6"	HDG	11'-3"	0'
J	OSHA LADDER	10'-9"	HDG	14'-3"	0'
K	ANCHOR CLIP	12"X 8 HOLE	HDG	1'-0"	(20) @ 36" O.C.
M	VENT	12" TURBINE	ALUM.	ROOF TOP	CENTER

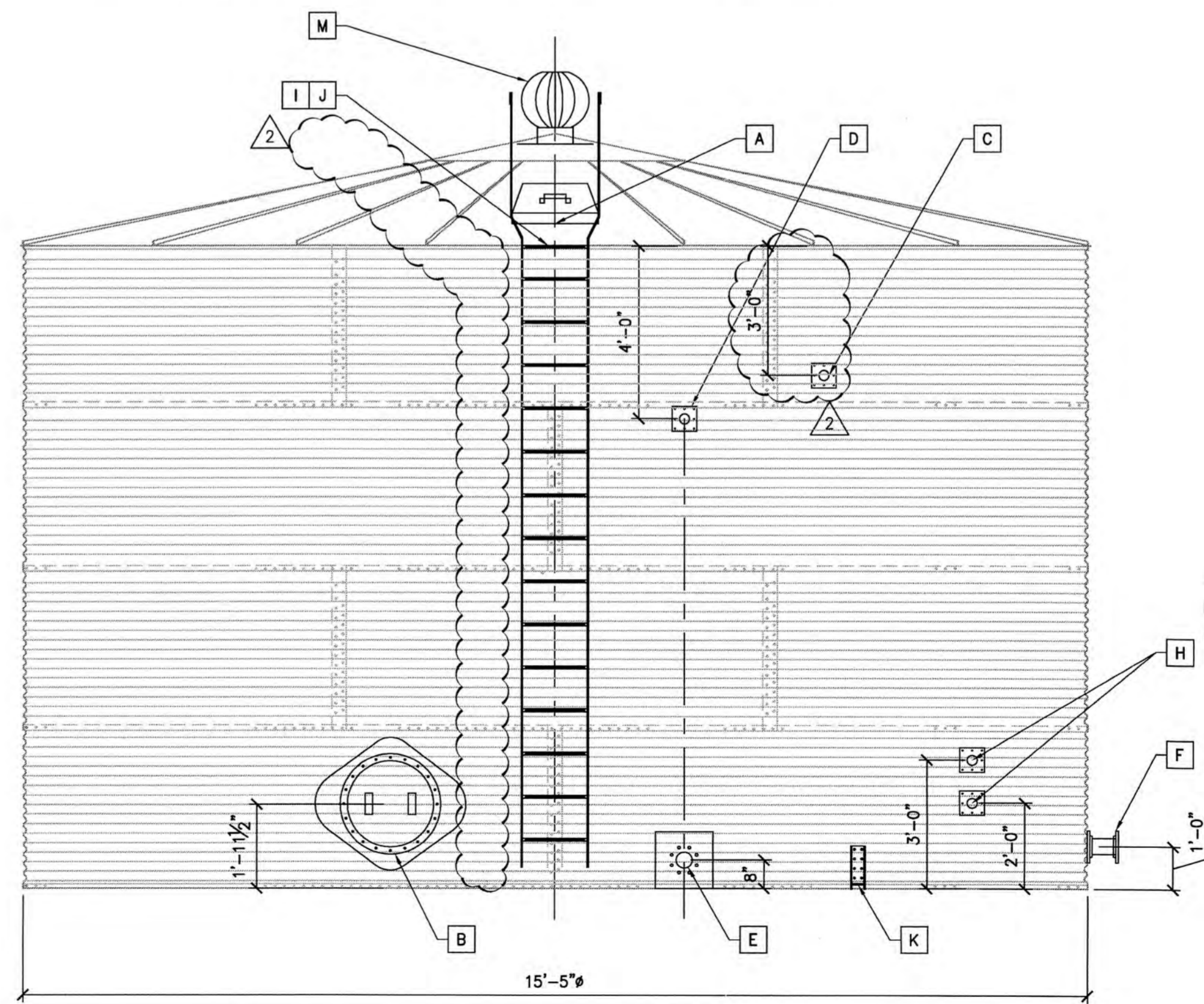
ACCESSORY LEGEND

NO SCALE 3



ACCESSORY ORIENTATION - PLAN VIEW

NO SCALE 1



ACCESSORY ELEVATION VIEW - SEE PLAN VIEW FOPR DIRECTIONAL POSITIONING

NO SCALE 2

CONTRACTOR	DATE	DESCRIPTION	DATE
CUSTOMER REF #	08-26-2015	1 SUBMITTAL RESPONSE	9/1/15
ENGINEER REF #		2 FOR CONSTRUCTION	9/2/15
SCALE	N/A	DRAWN BY	MTC

C/S No. 14010245 ENGINEER'S STAMP



CUSTOMER / PROJECT INFORMATION:
NESTLDOWN LLC
 22420 OLD SANTA CRUZ HWY
 LOS GATOS, CA 95033

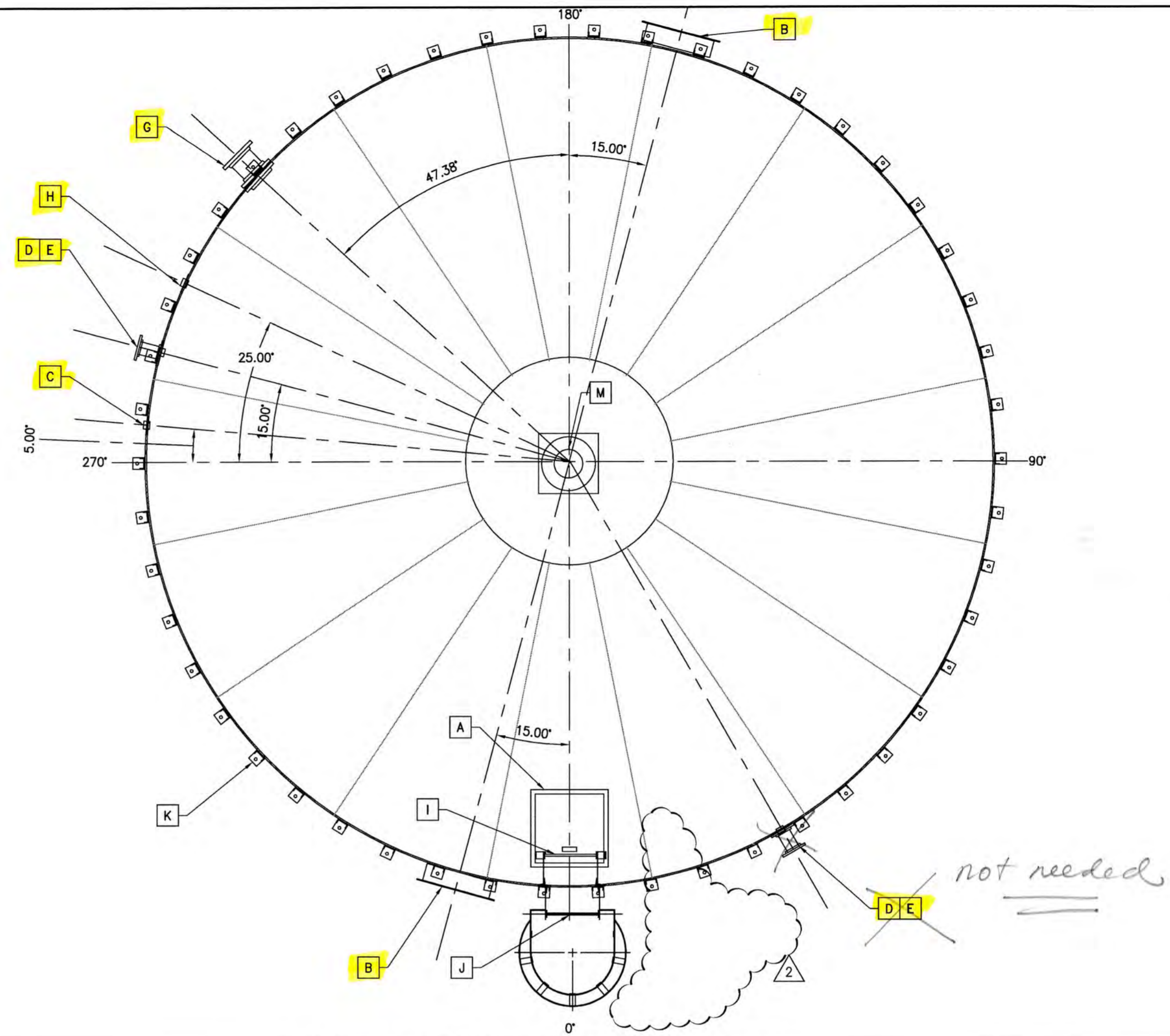
DRAWING TITLE:
BH CLASSIC CORRUGATED 16K ACCESSORY LAYOUT

DRAWING NUMBER:
4A

ACCESSORY SCHEDULE					
REF	USE	SIZE	FTG. TYPE	ELEV. O.C.	COMPASS
A	ROOF MANWAY	24" SQ.	HINGED	N/A	0°
B	SIDE-SHELL MANWAY	24"ø	BOLT-ON	1'-11½"	332.5°
C	INLET	2"ø	FNPT	AS CLOSE TO TOP AS ABLE	45°
D	OVERFLOW	2"ø	FNPT	10'-8"	30°
E	DRAIN	4"ø	150# RFSO	AS CLOSE TO BOTTOM AS ABLE	30°
F					
G	FIRE OUTLET	8"ø	150# RFSO	1'-0"	135°
H	SAMPLE PORT	(2)-2"ø	FNPT	24" & 36"	90°
I	INT. LADDER	1'-6"	HDG	11'-3"	0°
J	OSHA LADDER	1	HDG	14'-3"	0°
K	ANCHOR CLIP	12"X 8 HOLE	HDG	1'-0"	(50) @ 9' O.C.
M	VENT	12" TURBINE	ALUM.	ROOF TOP	CENTER

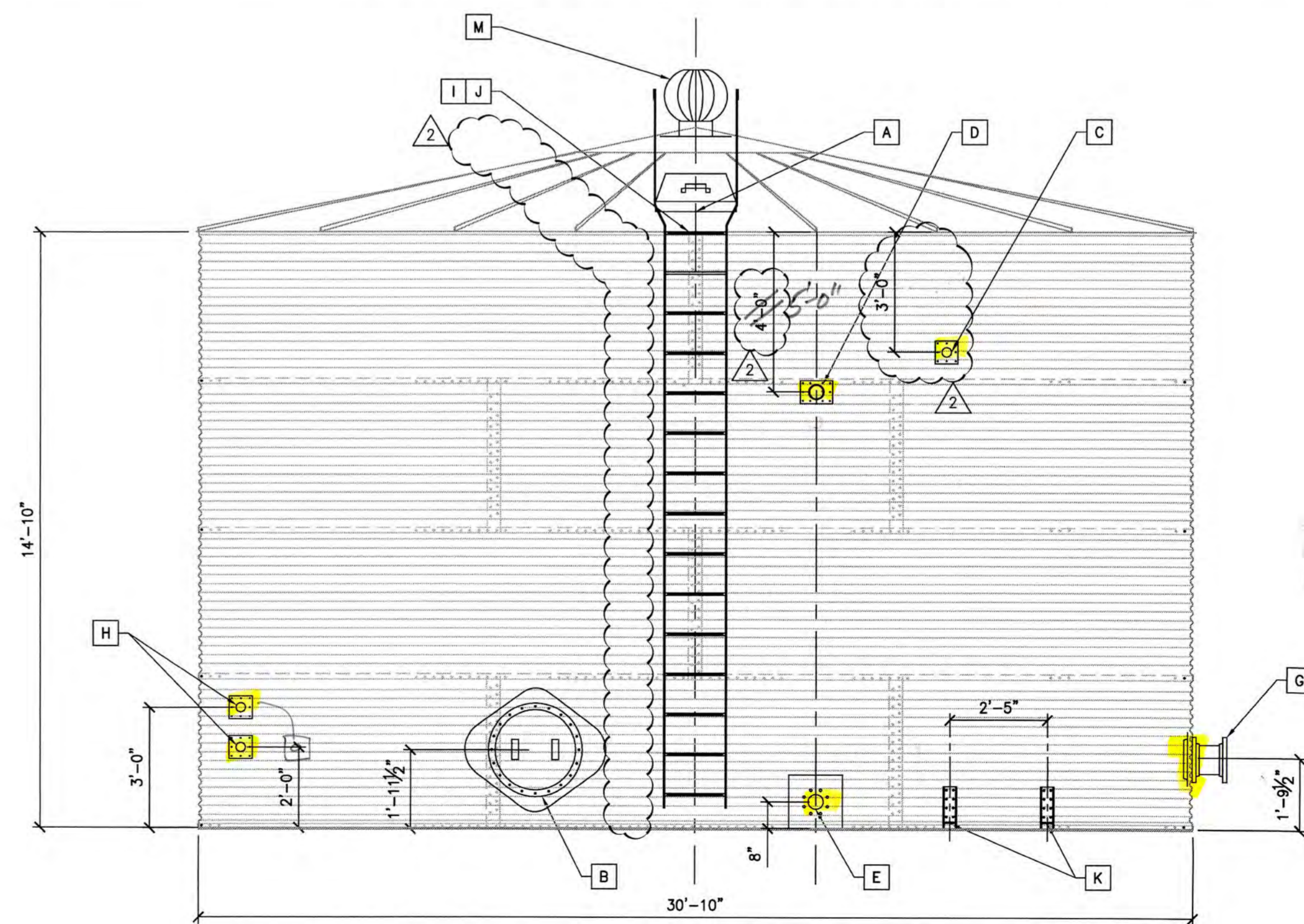
ACCESSORY LEGEND

NO SCALE 3



ACCESSORY ORIENTATION - PLAN VIEW

NO SCALE 1



ACCESSORY ELEVATION VIEW - SEE PLAN VIEW FOR DIRECTIONAL POSITIONING

NO SCALE 2

CONTRACTOR	DATE	DESCRIPTION	DATE
American Tank Co	08-26-2015	SUBMITTAL RESPONSE	9/1/15
CUSTOMER REF #	ATC REF #	FOR CONSTRUCTION	9/30/15
ENGINEER REF #	SCALE		
	N/A		
DRAWN BY			
MTC			

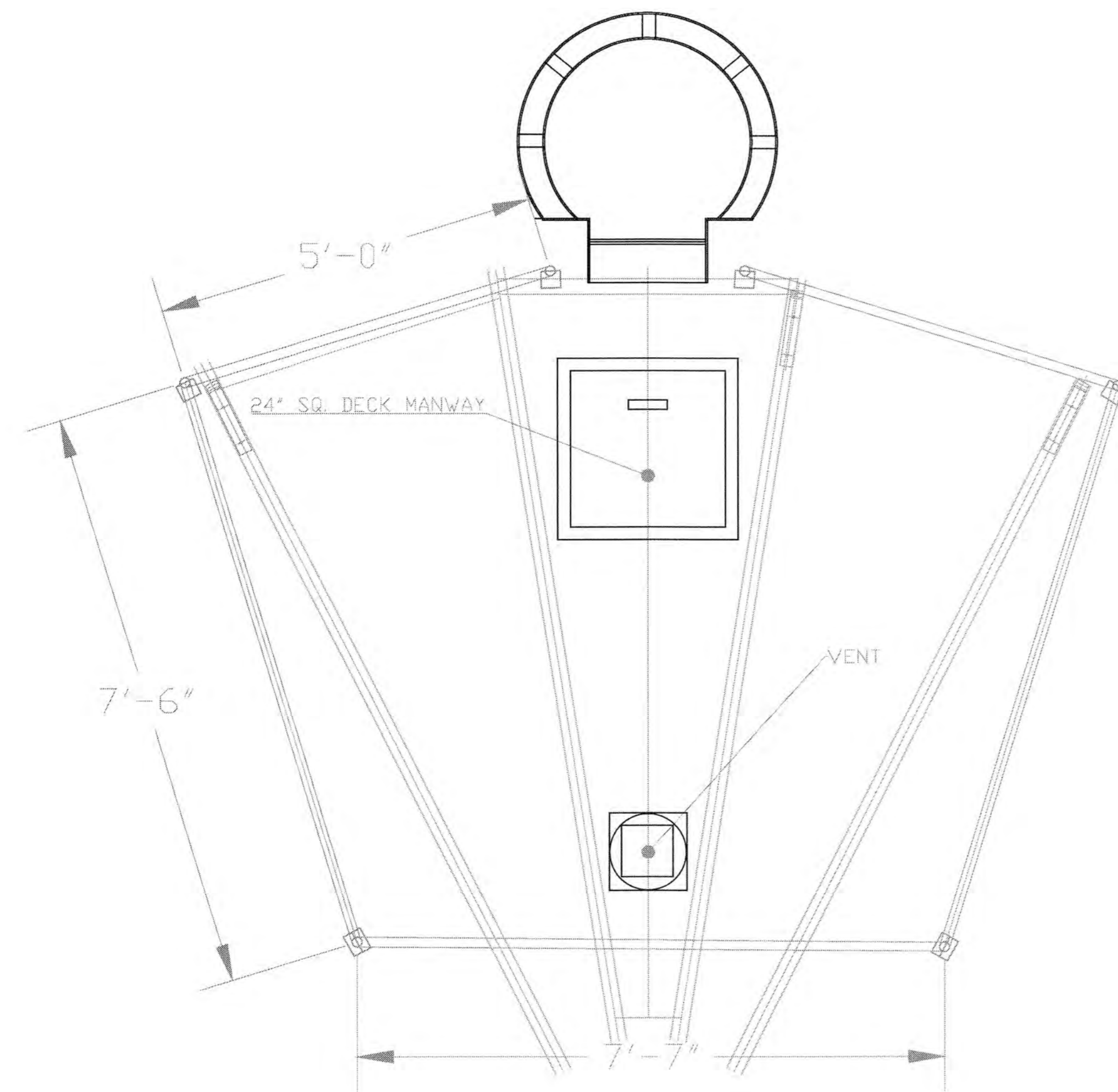
CS No. 14010.045 ENGINEER'S STAMP

BH TANK WORKS
American Tank Co
AMERICAN TANK CO., INC. 800-655-9100
600 AMERICAN WAY, WINDSOR CA 95492

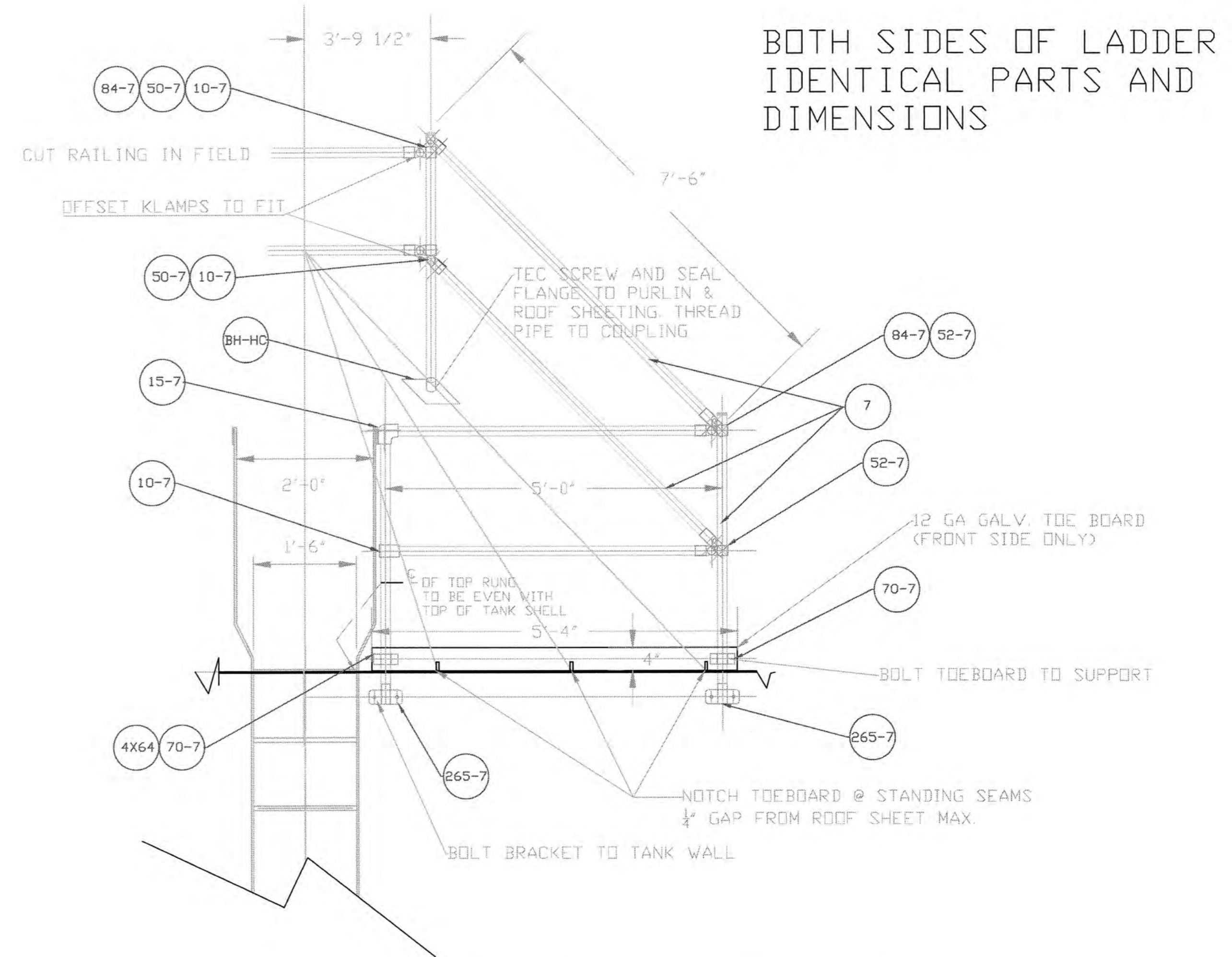
CUSTOMER / PROJECT INFORMATION:
NESTLEDOWN LLC
22420 OLD SANTA CRUZ HWY
LOS GATOS, CA 95033

DRAWING TITLE:
BH CLASSIC
CORRUGATED
16K ACCESSORY
LAYOUT

DRAWING NUMBER:
4B



GENERAL PLAN VIEW



PERSPECTIVE HALF-VIEW

BOTH SIDES OF LADDER IDENTICAL PARTS AND DIMENSIONS

SANTA CLARA COUNTY
 PERMITTING OFFICE
 8 OF SHEETS
 DATE
 PLANS MUST BE ON JOB FOR INSPECTIONS

Materials:

Pipe: 1 1/4" ID A53 Grade B seamed steel.

Finish: Galvanized (hot dipped).

Chain system: 3/16" proof coil ASTM specification, zinc plated with quick link and "S" hook.

Self closing gate (optional to chain): Manufacturer's standard spring or gravity operated.

Pipe plugs: Weather and light resistant for pipe ends.

Bolts: Hex head bolts 3/8", grade Z, zinc plated with manufacturer's standard washers inside and outside.

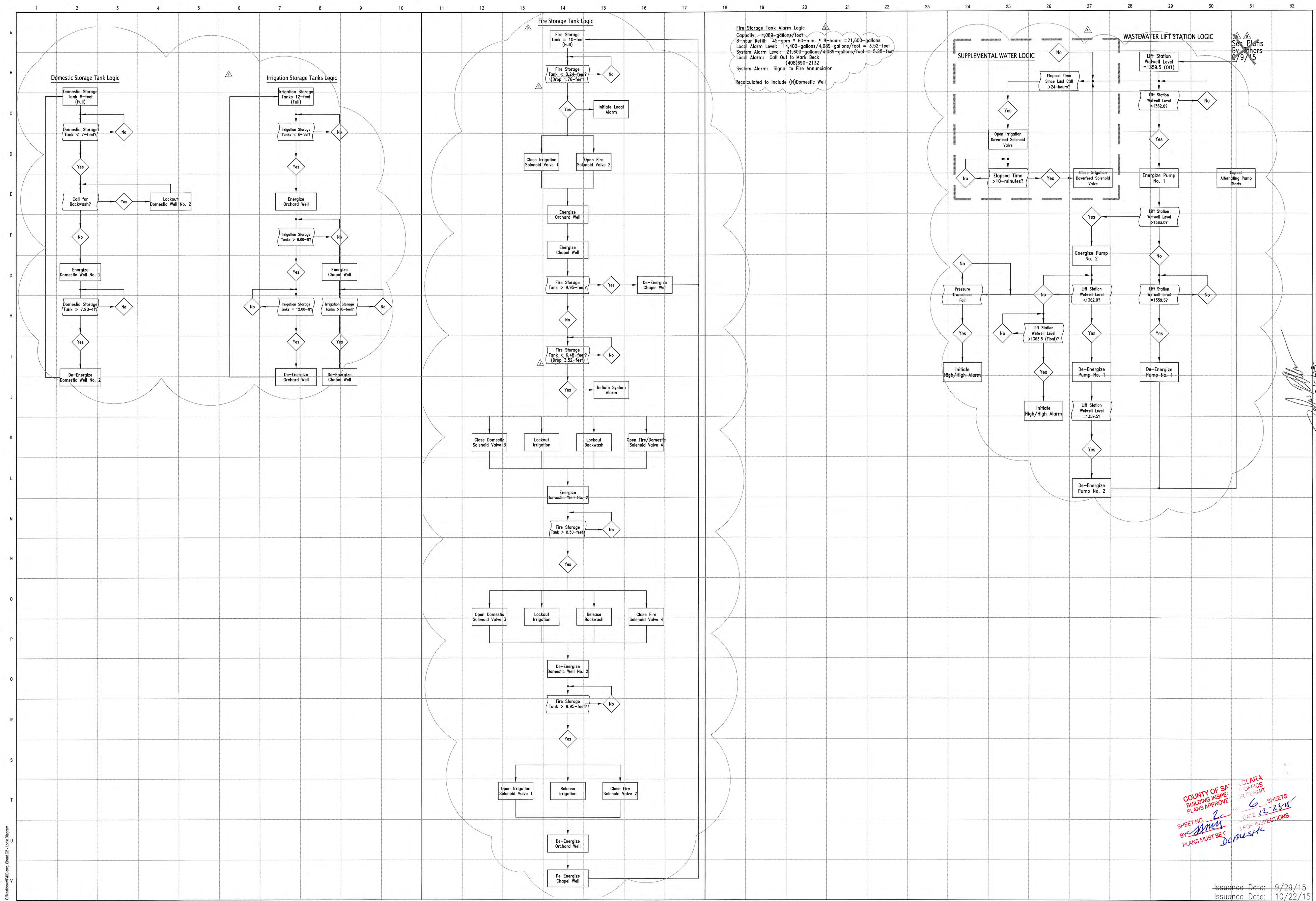
Railing fittings: Manufacturer's standard cast fittings, galvanized.

Sealant for brackets: Manufacturer's standard.

MATERIAL SCHEDULE

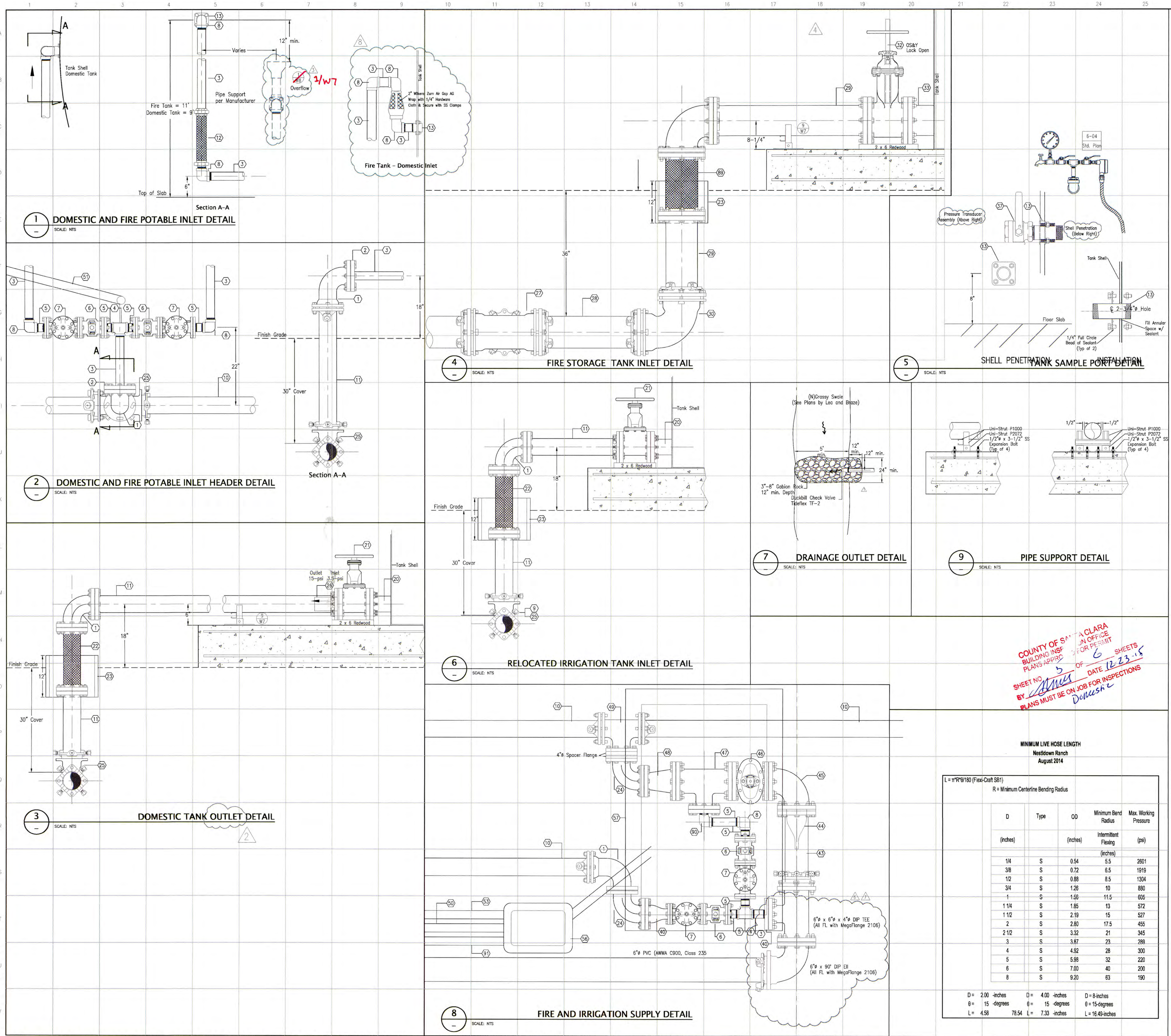
DWG #	PART #	DESCRIPTION	QTY
84-7	84-7	MALLEABLE PLUG	4
50-7	C50-77	SINGLE SWIVAL SOCKET	4
10-7	10-7	SINGLE SOCKET TEE	6
52-7	C52-777	CORNER SWIVAL SOCKET	4
86-7	86-7	ANGLED TEE	0
265-7	265-7	OFFSET RAIL WALL FLANGE	4
15-7	15-7	90° ELBOW	2
70-7	70-7	RAIL SUPPORT	4
7	N/A	1-1/4" SCH. 40 GALVANIZED PIPE	100 FT
4X64	1.25HC	1-1/4" BHC "HILLSIDE" FLANGE	2
		MISC. HARDWARE & SEALANT	

DATE:	
DESCRIPTION:	
REV.#:	
CONTRACTOR:	
CUSTOMER REF. #	DATE: 12/7/2015
ENGINEER REF. #	ATC REF. #
SCALE:	DRAWN BY: BOBH
ENGINEER'S STAMP	
 American Tank Co. AMERICAN TANK CO., INC. 800-655-9100 600 AMERICAN WAY, WINDSOR CA 95492	
CUSTOMER / PROJECT INFORMATION:	TYPICAL MANWAY PGR
DRAWING TITLE:	CLASSIC CORRUGATED ROOF MANWAY GUARDRAIL
DRAWING NUMBER:	R-1



©2014 WYeast Engineering - All ideas, designs, arrangements and plans indicated or represented herein are owned by and the property of WYeast Engineering and were created, evolved and developed for use on and in connection with the specified project. None of such ideas, designs, arrangements or plans shall be used, reproduced or published by any method, in whole or in part, or disclosed to any person, firm or corporation for any purposes without the prior written permission of WYeast Engineering.

WYeast Engineering 784 Northridge Center, Suite 229 Salinas, CA 93906 (831) 443-5514 (FAX) 444-9490		MR. MARK BECK 22420 Old Santa Cruz Highway Los Gatos, California 95033 (408) 690-2123	Date: September 2014 Scale: None Drawn: DRB Job: 14-020 Sheet G3 of 18
NESTDOWN RANCH Water System Improvements Logic Diagrams		Date: 10/22/15 Revision: 1 Add: Wastewater Remove: WWT Lift Sta. #1 Recalculate: WWT Lift Station #1 Add: (N) Well	COUNTY OF SAN CLARA BUILDING INSPECTOR'S OFFICE PERMIT SHEET NO. 2 OF 6 SHEETS DATE 12-23-15 BY: [Signature] PLANS MUST BE CHECKED FOR INSPECTIONS



TANK SITE MECHANICAL SCHEDULE

ID	Description	Rev	Date
1	4" x 90" DIP EII (FL x MJ)		
2	4" x 2" Stainless Steel Reducing Flange		
3	2" Stainless Steel Nipple (MIPT x MIPT) (Length to Fit)		
4	2" x 2" x 2" Stainless Steel Tee		
5	2" Stainless Steel Nipple with Flange (Length to Fit)		
6	2" Gate Valve (FL x FL)		
7	2" Diaphragm Solenoid Valve (CiaVal 136-01 (FL x FL with Check Function))		
8	2" x 90" Stainless Steel EII - FIPT x FIPT or Street		
9	4" x 90" DIP EII (MJ x MJ with Megalug 1104 and 2004 Restraining Gland)		
10	4" PVC (AWWA C900, Class 235)		
11	4" DIP (FL x PE) (Length As Required)		
12	2" x 18" Stainless Steel Hose (Hex MIPT x Union - FlexiCraft SB1)		
13	2" Full Coupling FIPT Tank Adapter (Rhino)		
14	2" Stainless Steel FIPT Coupling		
15	2" Screened Tank Vent (Hytech MIPT)		
16	2" PVC Tee Nipple (Sch. 80 - Length As Required)		
17	2" x 90" PVC EII (Sch. 80 - Slip x Slip)		
18	2" PVC Nipple (Sch. 80 - Length As Required)		
19	4" x 2" PVC Reducer (Sch. 80 - Slip x Slip)		
20	4" Flange Tank Nozzle		
21	4" Gate Valve (FL x FL)		
22	4" x 18" Stainless Steel Hose (FL x FL - Flexi-Craft SB1)		
23	15" Polyethylene Drainage Pipe (ADS Single Wall)		
24	4" x 90" DIP EII (FL x FL)		
25	4" x 4" x 4" DIP Tee (All MJ with Megalug 1104 and 2004 Restraining Gland)		
26	4" Duckbill Check Valve (Tidiflex Series 37 (EPDM) - No Substitute)		
27	8" x 8" x 8" DIP Tee (All MJ with Megalug 2008 Restraining Gland)		
28	8" PVC Spool (AWWA C900, Class 235 - Length as Required)		
29	8" x 20" DIP Spool (FL x FL)		
30	8" x 90" DIP EII (All MJ with Megalug 1108 Restraining Gland)		
31	8" x 8" x 8" DIP Tee (All FL)		
32	8" Gate Valve (FL x FL)		
33	8" Flange Tank Nozzle		
34	2" Duckbill Check Valve (Tidiflex Series 2633 - No Substitute)		
35	2" Stainless Steel Union		
36	2" x 45" Stainless Steel EII		
37	2" Stainless Steel Ball Valve		
38	2" Stainless Steel Cam Lock Coupling with Cap		
39	1/2" Stainless Steel Quick Disconnect (Direct Top)		
40	4" x 2" DIP Reducer (FL x FL)		
41	(1) 6" PVC (Field Verify Location, Depth and Type)		
42	6" x 6" x 4" DIP Tee (MJ x MJ x FL)		
43	6" DIP Spool (FL x PE - Length as Required)		
44	6" Duckbill Check Valve (Tidiflex Series 37 - No Substitute)		
45	6" x 90" DIP EII (FL x FL)		
46	6" Gate Valve (FL x FL)		
47	6" x 6" x 2" DIP Tee (All FL)		
48	6" x 4" DIP Reducer (FL x FL)		
49	4" x 4" x 4" DIP Tee (All FL)		
50	2" PVC Conduit (Sch. 40) with 2 pair #16AWG Cu Twisted Shielded Pair Signal Conductors		
51	2" PVC Conduit (Sch. 40) with 2 pair #14AWG Cu Twisted Shielded Pair Valve Conductors		
52	2" PVC Conduit (Sch. 40) with 4 pair #16AWG Cu Twisted Shielded Pair Signal Conductors		
53	2" PVC Conduit (Sch. 40) with 4 pair #14AWG Cu Twisted Shielded Pair Valve Conductors		
54	2" PVC Conduit (Sch. 40) with 6 pair #16AWG Cu Twisted Shielded Pair Signal Conductors		
55	2" PVC Conduit (Sch. 40) with 6 pair #14AWG Cu Twisted Shielded Pair Valve Conductors		
56	Pull Box (Christy/Oldcastle B9)		
57	Valve Vault (Jensen Precast W-3660 with CAS-3660 Assisted Lid or Approved Substitute)		
58	2" PVC Conduit (Sch. 40) with 1 pair #16AWG Cu Twisted Shielded Pair Signal Conductors		
60	4" x 4" x 2" DIP Tee (All FL)		
61	4" Flange Coupling Adapter (Uni-Flange Series 200)		
62	2" Flange Coupling Adapter (Uni-Flange Series 200)		
63	2" Altitude Valve (CiaVal Model 210-03 with Delayed Opening)		
64	3/4" PVC (Sch. 80)		
65	3/4" x 90" PVC EII PVC (Sch. 80 - Slip x Slip)		
66	1-1/4" Stainless Steel Nipple (Length to Fit)		
67	1-1/4" x 45" Stainless Steel EII		
68	1-1/4" x 18" Stainless Steel Hose (Hex MIPT x Union - FlexiCraft SB1)		
69	1-1/4" x 90" Stainless Steel Street EII with Stainless Steel Flange		
70	1-1/4" Stainless Steel Ball Valve		
71	1-1/4" Stainless Steel Ball Check Valve (Tidiflex Series 2633 - No Substitute)		
72	2" x 2" x 2" Stainless Steel Tee with Reducer Bushing		
73	2" x 90" Stainless Steel Street EII with Reducer Bushing and 2" FL		
74	1" Stainless Steel Nipple (Length to Fit)		
75	1" x 90" Stainless Steel EII		
76	1" x 18" Stainless Steel Hose (Hex MIPT x Union - FlexiCraft SB1)		
77	1" Stainless Steel Nipple (MIPT x FL - Length to Fit)		
78	1-1/4" Stainless Steel Nipple (MIPT x PL - Length to Fit)		
79	1-1/4" Stainless Steel Nipple Union		
80	Clapper Inlet (Christy/Oldcastle W-1)		
81	4-way 2-1/2" Clapper Snoot Inlet (Crocker Model 6334 or Approved Substitute)		
82	6" x 6" GIP Nipple		
83	6" x 6" GIP Reducing Flange		
84	6" Silent Check Valve (APCO Series 300, CiaVal Series 984 or Approved Substitute)		
85	2" x 30" PVC EII (SDR 35 Gasketed)		
86	2" PVC Conduit (Sch. 40) with 2-#8AWG Cu and 1-#8AWG Cu (Grnd)		
87	2" x 45" PVC EII (SDR 35 Gasketed)		
88	4" x 4" x 4" PVC Gasketed Tee (SDR35)		
89	8" x 18" Flexible Stainless Steel Hose (FL x FL - FlexiCraft SB1)		
90	2" Stainless Steel Street EII		
91	2" PVC Conduit with 3-#8 AWG Cu + 1-#8 AWG Cu Grd		

MINIMUM LIVE HOSE LENGTH
Nestdown Ranch
August 2014

$L = \frac{1}{2} R \theta$ (Flexi-Craft SB1)

R = Minimum Centerline Bending Radius

D	Type	OD	Minimum Bend Radius	Max. Working Pressure
(inches)		(inches)	Intermittent Flexing (inches)	(psi)
1/4	S	0.54	5.5	2601
3/8	S	0.72	6.5	1919
1/2	S	0.88	8.5	1304
3/4	S	1.26	10	880
1	S	1.56	11.5	605
1 1/4	S	1.85	13	572
1 1/2	S	2.19	15	527
2	S	2.80	17.5	455
2 1/2	S	3.32	21	345
3	S	3.87	23	298
4	S	4.92	28	300
5	S	5.99	32	220
6	S	7.00	40	200
8	S	9.20	63	190

D = 200-inches D = 400-inches D = 8-inches
 θ = 15-degrees θ = 15-degrees θ = 15-degrees
 L = 4.58 L = 7.33-inches L = 16.49-inches

NESTDOWN RANCH WATER SYSTEM
Tank Site Plan and Details
Tank Connection Details

WyEast Engineering
784 Northridge Center, Suite 229
Salinas, CA 93906
(831) 443-5514 (FAX) 444-9490

NESTDOWN RANCH LLC
1745 Dell Avenue
Campbell, California 95008
(408) 690-2132

Date: September 2014
 Scale: As Shown
 Drawn: DRA
 Job: 14-020
 Sheet: W6 of 18

Revision: 12/18/15
 12/18/15
 9/15/15
 6/15/15

Issuance Date: 9/29/15
 Issuance Date: 12/18/15

CONSTRUCTION BEST MANAGEMENT PRACTICES

- REFER TO THE CALIFORNIA STORMWATER QUALITY ASSOCIATION HANDBOOK FOR CONSTRUCTION BMP FACT SHEETS FOR A COMPLETE DESCRIPTION OF THE BEST MANAGEMENT PRACTICES TO BE USED.
- CONSTRUCTION BMP FACT SHEETS FROM THE HANDBOOK FOR BMPs USED ON THIS PROJECT ARE LOCATED IN APPENDIX H OF THE STORMWATER POLLUTION PREVENTION PLAN.

EROSION CONTROL BMPs

- EC-1 CONSTRUCTION SCHEDULING
- EC-2 PRESERVATION OF EXISTING VEGETATION
- EC-3 HYDRAULIC MULCH
- EC-4 HYDROSEEDING
- EC-6 STRAW MULCH
- EC-7 GEOTEXTILES AND MATS
- EC-9 EARTHEN DIKES AND DRAINAGE SWALES
- WE-1 WIND EROSION CONTROL

SEDIMENT CONTROL BMPs:

- SE-1 SILT FENCE
- SE-4 CHECK DAMS
- SE-5 STRAW ROLLS
- SE-7 STREET SWEEPING AND VACUUMING
- SE-9 STRAW BALES
- SE-10 STORM DRAIN INLET PROTECTION

TRACKING CONTROL BMPs:

- TC-1 STABILIZED CONSTRUCTION ENTRANCE

NON-STORMWATER CONTROL BMPs:

- NS-1 WATER CONSERVATION PRACTICES
- NS-3 PAVING AND GRINDING OPERATIONS
- NS-6 ILLICIT CONNECTION / DISCHARGES
- NS-7 POTABLE WATER / IRRIGATION
- NS-8 VEHICLE AND EQUIPMENT CLEANING
- NS-9 VEHICLE AND EQUIPMENT FUELING
- NS-10 VEHICLE AND EQUIPMENT MAINTENANCE
- NS-12 CONCRETE CURING

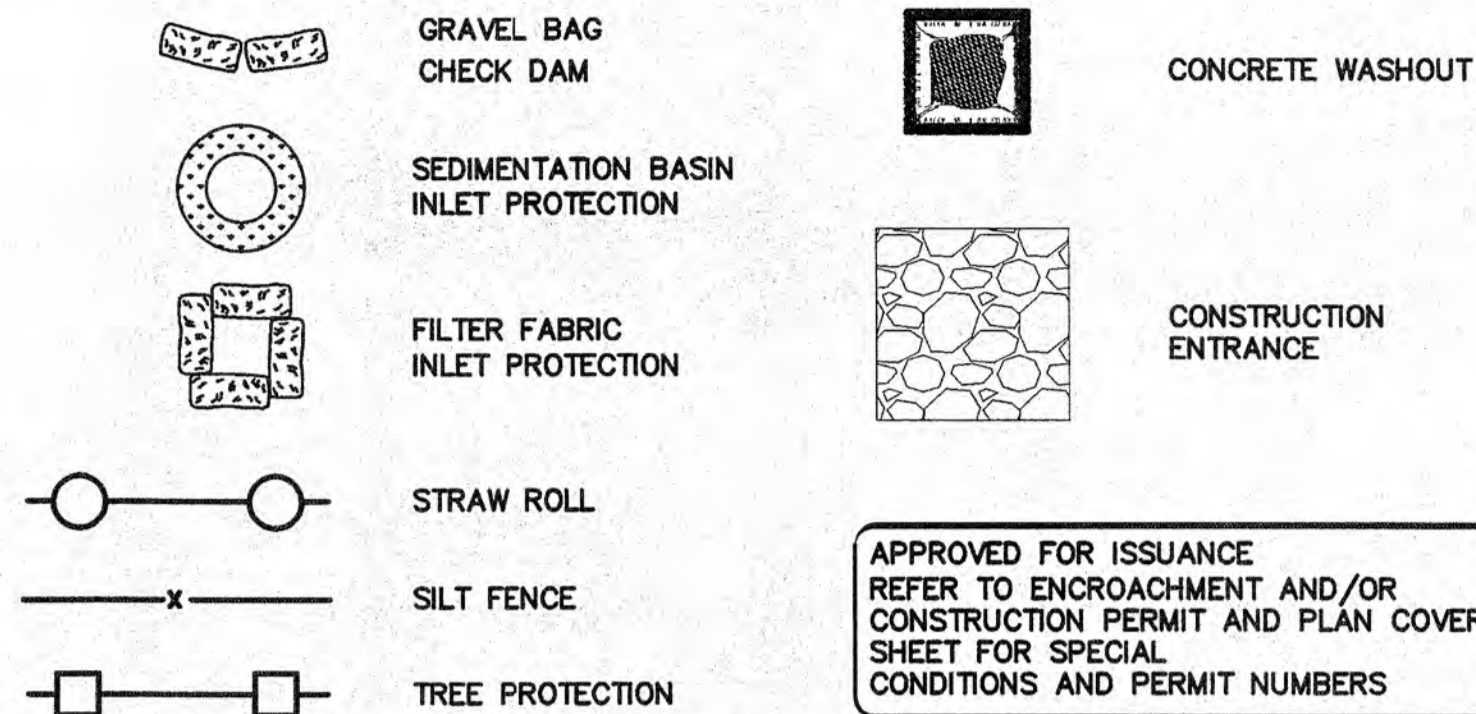
MATERIALS POLLUTION AND WASTE MANAGEMENT CONTROL BMPs:

- MW-1 MATERIAL DELIVERY AND STORAGE
- MW-2 MATERIAL USE
- MW-3 STOCKPILE MANAGEMENT
- MW-4 SPILL PREVENTION AND CONTROL
- MW-5 SOLID WASTE MANAGEMENT
- MW-6 HAZARDOUS WASTE MANAGEMENT
- MW-8 CONCRETE WASTE MANAGEMENT
- MW-9 SANITARY AND SEPTIC WASTE MANAGEMENT

REFERENCES:

- CALIFORNIA REGIONAL WATER QUALITY CONTROL BOARD'S FIELD MANUAL FOR EROSION AND SEDIMENTATION CONTROL
- CALIFORNIA STORM WATER QUALITY ASSOCIATION BEST MANAGEMENT PRACTICES HANDBOOK FOR CONSTRUCTION

EROSION CONTROL LEGEND



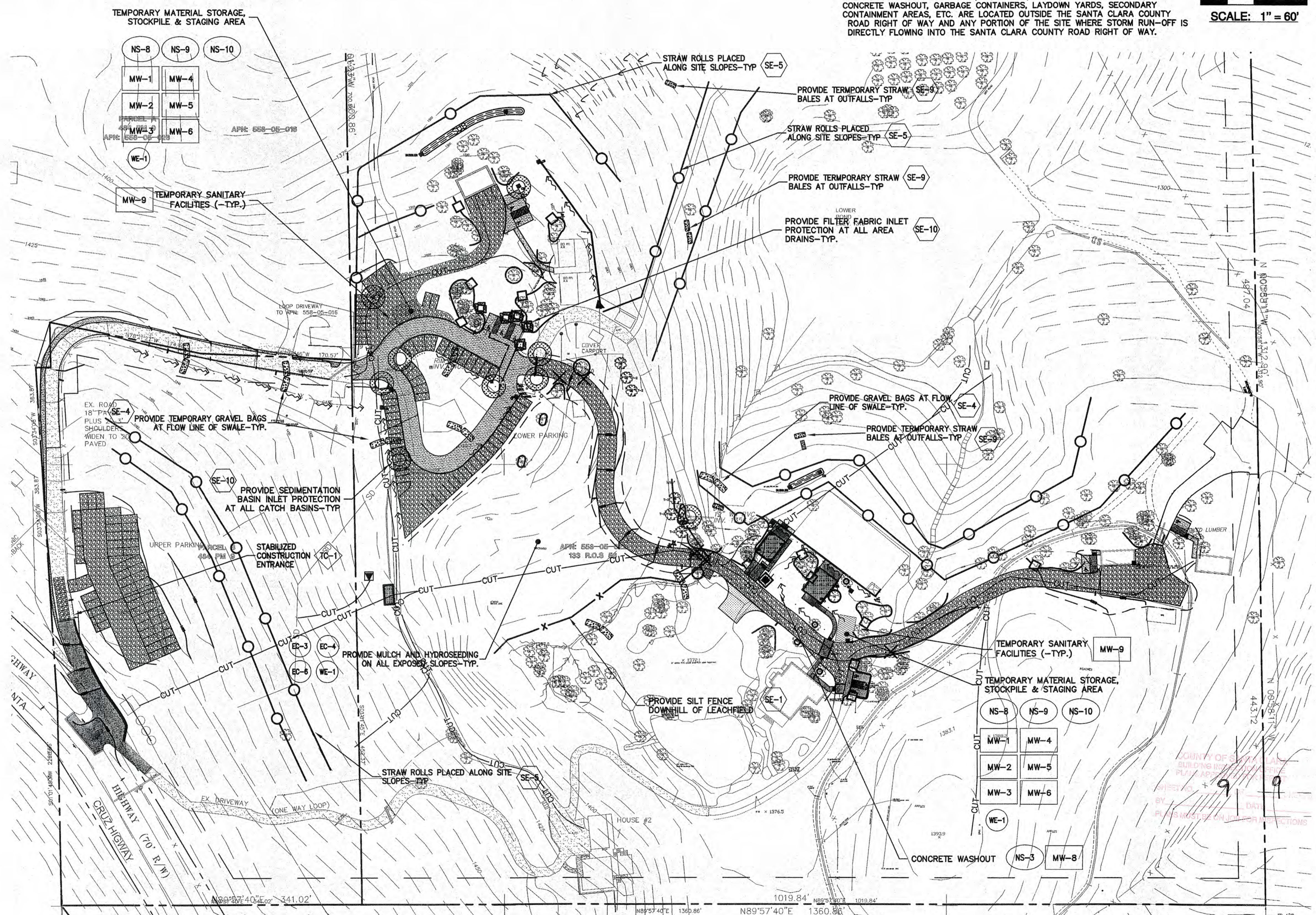
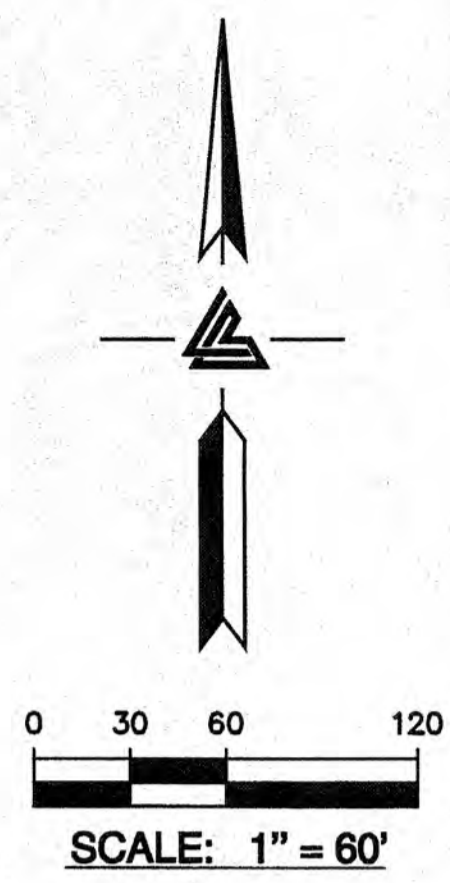
APPROVED FOR ISSUANCE
REFER TO ENCROACHMENT AND/OR CONSTRUCTION PERMIT AND PLAN COVER SHEET FOR SPECIAL CONDITIONS AND PERMIT NUMBERS

EROSION CONTROL PLAN NOTES:

- THE EROSION CONTROL PLAN IS A GUIDE AND SHALL BE AMENDED AS NECESSARY TO PREVENT EROSION AND ILLICIT DISCHARGES ON A YEAR ROUND BASIS, DEPENDING ON THE SEASON, WEATHER, AND FIELD CONDITIONS. EROSION CONTROL MEASURES IN ADDITION TO THOSE NOTED IN THE PERMITTED PLANS MAY BE NECESSARY. FAILURE TO INSTALL SITE AND SITUATIONALLY APPROPRIATE EROSION CONTROL MEASURES MAY RESULT IN VIOLATIONS, FINES AND A STOPPAGE OF WORK.
- THE DEVELOPER IS RESPONSIBLE FOR THE INSTALLATION OF THE WORK PROPOSED ON THE EROSION CONTROL PLANS. THE ENGINEER OF RECORD IS RESPONSIBLE FOR THE DESIGN OF THE EROSION CONTROL PLANS AND ANY MODIFICATIONS OF THE EROSION CONTROL PLANS TO PREVENT ILLICIT DISCHARGES FROM THE SITE DURING CONSTRUCTION.
- THE CONSTRUCTION INSPECTOR MAY VERIFY THAT A VALID NOTICE OF INTENT (NOI) HAS BEEN ISSUED BY THE STATE AND AN UPDATED STORM WATER POLLUTION PREVENTION PLAN (SWPPP) IS AVAILABLE ON THE SITE.
- GRADING WORK BETWEEN OCTOBER 15 AND APRIL 15 IS AT THE DISCRETION OF THE SANTA CLARA COUNTY GRADING OFFICIAL.
- REFER TO THE EROSION CONTROL NOTES, SHEET C-9.1 FOR ADDITIONAL EROSION CONTROL NOTES AND REQUIREMENTS.

GENERAL NOTES:

- OWNER/OWNER'S CONTRACTOR, AGENT, AND/OR ENGINEER SHALL INSTALL AND MAINTAIN CONSTRUCTION BEST MANAGEMENT PRACTICES (BMPs) WITHIN SANTA CLARA COUNTY ROAD RIGHT OF WAY AND ANY PORTION OF THE SITE WHERE STORM WATER RUN-OFF IS DIRECTLY FLOWING INTO THE SANTA CLARA COUNTY ROAD RIGHT OF WAY. THE BMPs ARE USED THROUGHOUT THE DURATION OF CONSTRUCTION AND UNTIL THE ESTABLISHMENT OF PERMANENT STABILIZATION AND SEDIMENT CONTROL TO PREVENT CONSTRUCTION MATERIALS, EXCAVATED MATERIALS, WASTE MATERIALS, AND SEDIMENT CAUSED BY EROSION FROM CONSTRUCTION ACTIVITIES ENTERING THE STORM DRAIN SYSTEM, WATERWAYS, AND ROADWAY INFRASTRUCTURE. BMPs SHALL INCLUDE, BUT NOT BE LIMITED TO, THE FOLLOWING:
 - REDUCTION OF POLLUTANTS IN STORM WATER DISCHARGES FROM THE CONSTRUCTION SITE AND THE CONTRACTOR'S MATERIAL AND EQUIPMENT LAYDOWN/STAGING AREAS.
 - PREVENTION OF TRACKING OF MUD, DIRT AND CONSTRUCTION MATERIALS ONTO PUBLIC ROAD OF WAY.
 - PREVENTION OF DISCHARGE OF WATER RUNOFF DURING DRY AND WET WEATHER CONDITIONS ONTO PUBLIC ROAD RIGHT OF WAY.
- "THE OWNER/OWNER'S CONTRACTOR, AGENT, AND/OR ENGINEER SHALL ENSURE THAT ALL TEMPORARY CONSTRUCTION FACILITIES, INCLUDING BUT NOT LIMITED TO CONSTRUCTION MATERIALS, DELIVERIES, HAZARDOUS AND NON HAZARDOUS MATERIAL STORAGE, EQUIPMENT, TOOLS, PORTABLE TOILETS, CONCRETE WASHOUT, GARBAGE CONTAINERS, LAYDOWN YARDS, SECONDARY CONTAINMENT AREAS, ETC. ARE LOCATED OUTSIDE THE SANTA CLARA COUNTY ROAD RIGHT OF WAY AND ANY PORTION OF THE SITE WHERE STORM RUN-OFF IS DIRECTLY FLOWING INTO THE SANTA CLARA COUNTY ROAD RIGHT OF WAY.



LEA & BRAZE ENGINEERING, INC.
 CIVIL ENGINEERS • LAND SURVEYORS
 BAY AREA REGION SACRAMENTO REGION
 2485 INDUSTRIAL PKWY WEST 3017 DOUGLAS BLVD, # 300
 HAYWARD, CALIFORNIA 94545 ROSELILLE, CA 95861
 (P) (510) 887-4086 (F) (916) 966-1338
 (F) (510) 887-7363 (F) (916) 797-7363
 WWW.LEABRAZE.COM

NESTLTDOWN RANCH
22420 OLD SANTA CRUZ HIGHWAY
LOS GATOS, CALIFORNIA
 SANTA CLARA COUNTY
 APR: 558-05-022
 APR: 558-05-023

EROSION CONTROL PLAN

NO.	DESCRIPTION	DATE	BY
4	PLAN CHECK	05-07-15	RB
3	PLAN CHECK	12-11-14	RB
2	PLAN CHECK	10-05-14	RB
1	PLAN CHECK	1-31-14	PT
REVISIONS		BY	

JOB NO: 2130030
 DATE: 9-10-14
 SCALE: 1" = 60'
 DESIGN BY: PT/PC
 DRAWN BY: TB
 SHEET NO:

