

COUNTY OF SANTA CLARA
General Construction
Specifications

GENERAL CONDITIONS

- ALL CONSTRUCTION WORK SHALL BE PERFORMED IN ACCORDANCE WITH THE SOILS AND/OR GEOTECHNICAL REPORT PREPARED BY _____ AND DATED _____ THIS REPORT IS SUPPLEMENTED BY: 1) THESE PLANS AND SPECIFICATIONS, 2) THE COUNTY OF SANTA CLARA STANDARD DETAILS, 3) THE COUNTY OF SANTA CLARA STANDARD SPECS, 4) STATE OF CALIFORNIA STANDARD DETAILS, 5) STATE OF CALIFORNIA STANDARD SPECIFICATIONS, IN THE EVENT OF CONFLICT THE FORMER SHALL TAKE PRECEDENCE OVER THE LATTER, THE PERFORMANCE AND COMPLETION OF ALL WORK MUST BE TO THE SATISFACTION OF THE COUNTY.
- DEVELOPER IS RESPONSIBLE FOR INSTALLATION OF THE IMPROVEMENTS SHOWN ON THESE PLANS AND HE OR HIS SUCCESSOR PROPERTY OWNERS ARE RESPONSIBLE FOR THEIR CONTINUED MAINTENANCE.
- DEVELOPER SHALL BE RESPONSIBLE FOR CORRECTION OF ANY ERRORS OR OMISSIONS IN THESE PLANS. THE COUNTY SHALL BE AUTHORIZED TO REQUIRE DISCONTINUANCE OF ANY WORK AND SUCH CORRECTION AND MODIFICATION OF PLANS AS MAY BE NECESSARY TO COMPLY WITH COUNTY STANDARDS OR CONDITIONS OF DEVELOPMENT APPROVAL.
- DEVELOPER SHALL OBTAIN ENCROACHMENT PERMITS FROM THE SANTA CLARA VALLEY WATER DISTRICT AND CALIFORNIA DEPARTMENT OF TRANSPORTATION WHERE NEEDED. COPIES OF THESE PERMITS SHALL BE KEPT AT THE JOB SITE FOR REVIEW BY THE COUNTY'S INSPECTOR.
- DEVELOPER SHALL REMOVE OR TRIM ALL TREES TO PROVIDE AN UNOBSTRUCTED FIFTEEN (15) FOOT VERTICAL CLEARANCE FOR ROADWAY AREA. THIS PLAN AUTHORIZES THE REMOVAL OF ONLY THOSE TREES WITH TRUNK DIAMETERS GREATER THAN 12 INCHES MEASURED 4.5 FEET ABOVE THE GROUND THAT ARE SHOWN TO BE REMOVED UNLESS AN AMENDED PLAN IS APPROVED OR A SEPARATE TREE REMOVAL PERMIT IS OBTAINED FROM THE PLANNING OFFICE. IT IS THE CONTRACTOR'S RESPONSIBILITY TO ENSURE THAT REMOVAL OF ADDITIONAL TREES SHALL BE PERMITTED.
- DEVELOPER SHALL PROVIDE ADEQUATE DUST CONTROL AS REQUIRED BY THE COUNTY INSPECTOR.
- ALL PERSONS MUST COMPLY WITH SECTION 4442 OF THE PUBLIC RESOURCES CODE AND SECTION 13005 OF THE HEALTH AND SAFETY CODE RELATING TO DISCOVERY AND UNDEARTHING ANY BURIAL SITE AS EVIDENCED BY DISCOVERY SHALL IMMEDIATELY NOTIFY THE COUNTY CORONER AT (408) 454-2520 AND LAND DEVELOPMENT ENGINEERING OFFICE AT (408) 299-5730. NO FURTHER DISTURBANCE OF THE SITE MAY BE MADE EXCEPT AS AUTHORIZED BY THE LAND DEVELOPMENT OFFICE IN ACCORD WITH PROVISIONS OF THIS ORDINANCE (COUNTY ORDINANCE CODE SECTION B6-18).
- THESE PLANS ARE FOR THE WORK DESCRIBED IN THE SCOPE OF WORK ONLY. A SEPARATE PERMIT WILL BE REQUIRED FOR THE SEPTIC LINE CONSTRUCTION.
- ANY DEVIATION FROM THESE APPROVED PLANS SHALL BE RE-APPROVED IN WRITING BY THE COUNTY ENGINEER PRIOR TO CONSTRUCTION.

CONSTRUCTION STAKING

- THE DEVELOPER'S ENGINEER IS RESPONSIBLE FOR THE INITIAL PLACEMENT AND REPLACEMENT OF CONSTRUCTION GRADE STAKES. THE STAKES ARE TO BE ADEQUATELY IDENTIFIED, LOCATED, STABILIZED, ETC. FOR THE CONVENIENCE OF CONTRACTORS. LATERAL OFFSET OF STAKES SET FOR CURBS AND GUTTERS SHALL NOT EXCEED 2 1/2 FEET FROM BACK OF CURB.
- ANY PROPERTY LINE STAKES OR ROAD MONUMENTS DISTURBED DURING CONSTRUCTION SHALL BE REPLACED BY DEVELOPER'S ENGINEER AND LICENSED LAND SURVEYOR.
- PROPERTY LINE STAKING MUST BE PERFORMED BY THE PROJECT ENGINEER OR LAND SURVEYOR TO ESTABLISH OR RE-ESTABLISH THE PROJECT BOUNDARY AND SHALL BE INSPECTED BY THE COUNTY INSPECTOR PRIOR TO THE BEGINNING OF THE WORK.
- PROPER CONSTRUCTION STAKES SHALL BE SET IN THE FIELD BY THE PROJECT ENGINEER OR LAND SURVEYOR AND VERIFIED BY THE COUNTY INSPECTOR PRIOR TO THE COMMENCEMENT OF GRADING.

CONSTRUCTION INSPECTION

- CONTRACTOR SHALL NOTIFY PERMIT INSPECTION UNIT, SANTA CLARA COUNTY PRIOR TO COMMENCING WORK AND FOR FINAL INSPECTION OF WORK AND SITE.
- THE COUNTY REQUIRES A MINIMUM OF 24 HOURS ADVANCE NOTICE FOR GENERAL INSPECTION, 48 HOURS FOR ASPHALT CONCRETE INSPECTION.
- INSPECTION BY SANTA CLARA COUNTY SHALL BE LIMITED TO INSPECTION OF MATERIALS AND PROCESSES OF CONSTRUCTION TO OBSERVE THEIR COMPLIANCE WITH PLANS & SPECIFICATIONS BUT DOES NOT INCLUDE RESPONSIBILITY FOR THE SUPERVISOR OF CONSTRUCTION, SITE CONDITIONS, EQUIPMENT OR PERSONNEL. CONTRACTOR SHALL NOTIFY THE COUNTY LAND DEVELOPMENT INSPECTOR AT PHONE (408) 299-6868 AT LEAST 24 HOURS PRIOR TO COMMENCING WORK AND FOR FINAL INSPECTION OF WORK AND SITE.
- DEVELOPER AND/OR HIS AUTHORIZED REPRESENTATIVE MUST SUBMIT WRITTEN REQUEST FOR FINAL INSPECTION AND ACCEPTANCE. SAID REQUEST SHALL BE DIRECTED TO THE INSPECTION OFFICE NOTED ON THE PERMIT FORM.
- THE CONTRACTOR SHALL PROVIDE TO THE COUNTY CONSTRUCTION INSPECTOR WITH FAD ELEVATION AND LOCATION CERTIFICATES, PREPARED BY THE PROJECT ENGINEER OR LAND SURVEYOR, PRIOR TO COMMENCEMENT OF THE BUILDING FOUNDATION.

SITE PREPARATION (CLEANING AND GRUBBING)

- EXISTING TREES AUTHORIZED FOR REMOVAL, ROOTS, AND FOREIGN MATERIAL IN AREAS TO BE IMPROVED WILL BE REMOVED TO AN AUTHORIZED DISPOSAL SITE AS FOLLOWS:
 - TO A MINIMUM DEPTH OF TWO FEET BELOW THE FINISHED GRADE OF PROPOSED ROADWAYS (EITHER PRIVATE OR TO BE DEDICATED TO PUBLIC USE)
 - FROM AREAS AFFECTED BY THE PROPOSED GRADING EXCEPT WHERE NOTED ON THE PLANS.
- IT SHALL BE THE RESPONSIBILITY OF THE DEVELOPER TO MOVE OR RELOCATE UTILITY POLES AND OTHER OBSTRUCTIONS IN THE WAY OF CONSTRUCTION.

UTILITY LOCATION, TRENCHING & BACKFILL

- CONTRACTOR SHALL NOTIFY USA (UNDERGROUND SERVICE ALERT) AT 1-800-277-2600 A MINIMUM OF 24 HOURS BEFORE BEGINNING UNDERGROUND WORK FOR VERIFICATION OF THE LOCATION OF UNDERGROUND UTILITIES.
- ACCURATE VERIFICATION AS TO SIZE, LOCATION, AND DEPTH OF EXISTING UNDERGROUND CONDUITS OR FACILITIES SHALL BE THE INDIVIDUAL CONTRACTORS RESPONSIBILITY. PLAN LOCATIONS ARE APPROXIMATE AND FOR GENERAL INFORMATION ONLY.
- ALL UNDERGROUND INSTALLATIONS SHALL BE IN PLACE AND THE TRENCH BACKFILLED AND COMPACTED BEFORE PLACING AGGREGATE MATERIAL OR SURFACE STRUCTURES. SURFACING MAY BE DONE IF THE UTILITY COMPANY CONCERNED INDICATES BY LETTER THAT IT WILL BORE UNLESS SPECIFICALLY AUTHORIZED BY THE COUNTY, GAS AND WATER MAINS SHALL BE INSTALLED OUTSIDE THE PAVED AREAS.
- TRENCH BACKFILL IN EXISTING PAVEMENT AREAS SHALL BE SAND MATERIAL IN ACCORDANCE WITH THE APPLICABLE PROVISIONS OF THE STATE SPECIFICATIONS. THE STRUCTURAL SECTION FOR TRENCH REPLACEMENT SHALL CONSIST OF NOT LESS THAN 12 INCHES OF APPROVED AGGREGATE BASE MATERIAL COMPACTED TO A RELATIVE COMPACTION OF AT LEAST 95% AND 4 INCHES OF HOT ASPHALT CONCRETE PLACED IN TWO LIFTS. TRENCH RESTORATION FOR HIGHER TYPE PAVEMENTS SHALL BE MADE IN KIND OR AS DIRECTED BY THE COUNTY.
- TRENCH BACKFILL IN NEW CONSTRUCTION AREAS SHALL BE SAND MATERIAL COMPACTED TO A RELATIVE COMPACTION OF AT LEAST 90% THE REQUIREMENT FOR SELECT MATERIAL MAY BE WAIVED BY COUNTY IF THE NATIVE SOIL IS SUITABLE FOR USE AS TRENCH BACKFILL BUT THE COMPACTION REQUIREMENTS WILL NOT BE THEREBY WAIVED.
- BACKFILL AND TRENCH RESTORATION REQUIREMENTS SHALL APPLY AS MINIMUM STANDARDS TO ALL UNDERGROUND FACILITIES INSTALLED BY OTHER FIRMS OR PUBLIC AGENCIES.

RETAINING WALLS

- REINFORCED CONCRETE AND CONCRETE MASONRY UNIT RETAINING WALLS SHALL HAVE FOUNDATION AND REINFORCEMENT INSPECTED BY THE COUNTY ENGINEERING INSPECTOR AND ENGINEER OF RECORD PRIOR TO POURING THE FOUNDATION AND FORMING THE WALL.
- SEGMENTAL BLOCK RETAINING WALLS SHALL HAVE FOUNDATION AND REINFORCEMENT INSPECTED BY THE COUNTY ENGINEERING INSPECTOR.

GRADING

- EXCAVATED MATERIAL SHALL BE PLACED IN THE FILL AREAS DESIGNATED OR SHALL BE HAULED AWAY FROM THE SITE TO A COUNTY APPROVED DISPOSAL SITE. WHERE FILL MATERIAL IS TO BE PLACED ON NATURAL GROUND, IS SHALL BE STRIPPED OF ALL VEGETATION, TO ACHIEVE A PROPER BOND WITH THE FILL MATERIAL, THE SURFACE OF THE GROUND SHALL BE SCARIFIED TO DEPTH OF 6" BEFORE FILL IS PLACED. WHERE NATURAL GROUND IS STEEPER THAN 5:1, IT SHALL BE BENCHED AND THE FILL KEYED IN TO ACHIEVE STABILITY. WHERE NEW FILL IS TO BE PLACED ON EXISTING FILL THE EXISTING FILL SHALL BE REMOVED UNTIL MATERIAL COMPACTED TO 90% RELATIVE COMPACTION IS EXPOSED, THEN THE NEW FILL MATERIAL SHALL BE PLACED AS PER THESE CONSTRUCTION NOTES. FILL MATERIAL SHALL BE PLACED IN UNIFORM LIFTS NOT EXCEEDING 6" IN UNCOMPACTED THICKNESS. BEFORE COMPACTION BEGINS, THE FILL SHALL BE BROUGHT TO A WATER CONTENT THAT WILL PERMIT PROPER COMPACTION BY EITHER 1) AERATING THE FILL IF IT IS TOO WET OR 2) MOISTENING THE FILL WITH WATER IF IT IS TOO DRY. EACH LIFT SHALL BE THOROUGHLY MIXED BEFORE COMPACTION TO ENSURE A UNIFORM DISTRIBUTION OF MOISTURE.
- EXCESS CUT MATERIAL SHALL NOT BE SPREAD OR STOCKPILED ON THE SITE.
- SURPLUS EARTH FILL MATERIAL SHALL BE PLACED IN A SINGLE (8" MAX) THICK LAYER COMPACTED TO WITHSTAND WEATHERING IN THE AREA(S) DELINEATED ON THE PLAN.
- NO ORGANIC MATERIAL SHALL BE PLACED IN ANY FILL. NO TREES SHALL BE REMOVED OUTSIDE OF CUT, FILL, OR ROADWAY AREAS.
- THE UPPER 6" OF SUBGRADE BELOW DRIVEWAY ACCESS ROAD OR PARKING AREA SHALL BE COMPACTED TO 95% OF MAXIMUM DENSITY.
- MAXIMUM CUT SLOPE SHALL BE 2 HORIZONTAL TO 1 VERTICAL. MAXIMUM FILL SLOPE SHALL BE 2 HORIZONTAL TO 1 VERTICAL.

LOCATION	CUT (C.Y.)	FILL (C.Y.)	VERT. DEPTH
RESIDENCES	0	75	1'
AC DRIVEWAY	0	316	1'
EARTH BERM	0	29	1'
OFF SITE IMPROVEMENTS	28	28	1'
TOTAL	28	448	1'

- NOTE: FILL VOLUMES INCLUDE 10% SHRINKAGE. EXCESS MATERIAL SHALL BE OFF HAULED TO A COUNTY APPROVED DUMP
- NOTIFY SOILS ENGINEER TWO (2) DAYS PRIOR TO COMMENCEMENT OF ANY GRADING WORK TO COORDINATE THE WORK IN THE FIELD.
 - ALL MATERIAL TO BE APPROVED BY THE SOILS ENGINEER BEFORE IT IS BROUGHT TO THE SITE.
 - THE UPPER 6" OF THE SUBGRADE SOIL SHALL BE SCARIFIED, MOISTURE CONDITIONED AND COMPACTED TO A MINIMUM RELATIVE COMPACTION OF 95%
 - ALL AGGREGATE BASE MATERIAL SHALL BE COMPACTED TO A MINIMUM 95% RELATIVE COMPACTION.
 - THE GEOTECHNICAL PLAN REVIEW LETTER MUST BE REVIEWED AND APPROVED BY THE COUNTY GEOLOGIST PRIOR TO FINAL APPROVAL BY THE COUNTY ENGINEER FOR BUILDING OCCUPANCY.
 - THE PROJECT GEOTECHNICAL ENGINEER SHALL PERFORM COMPACTION TESTING AND PRESENT THE RESULTS TO THE COUNTY ENGINEERING INSPECTOR PRIOR TO THE CONSTRUCTION OF ANY PAVED AREA.
 - GRADING WORK BETWEEN OCTOBER 15TH AND APRIL 15TH IS AT THE DISCRETION OF THE SANTA CLARA COUNTY GRADING OFFICIAL.
 - TOTAL DISTURBED AREA FOR THE PROJECT _____ ACRES.
 - WOID NO. _____ TBS
 - THE INSPECTOR MAY VERIFY THAT A VALID NOTICE OF INTENT (NOI) HAS BEEN ISSUED BY THE STATE AND THAT A CURRENT AND UP TO DATE STORM WATER POLLUTION PREVENTION PLAN (SWPPP) IS AVAILABLE ON SITE.

TREE PROTECTION

- FOR ALL TREES TO BE RETAINED WITH A CANOPY IN THE DEVELOPMENT AREA OR INTERFACES WITH THE LIMITS OF GRADING FOR ALL PROPOSED DEVELOPMENT ON SITE, THE FOLLOWING TREE PROTECTION SHALL BE PLACED:
 - PLACEMENT OF RIGID TREE PROTECTIVE FENCING, CONSISTENT WITH THE COUNTY INTEGRATED LANDSCAPE GUIDELINES, AND INCLUDE THE FOLLOWING:
 - FENCING SHOULD BE PLACED ALONG THE OUTSIDE EDGE OF THE DRIPLINE OF THE TREE OR GROVE OF TREES.
 - THE FENCING SHALL BE MAINTAINED THROUGHOUT THE SITE CONSTRUCTION PERIOD AND SHALL BE INSPECTED PERIODICALLY FOR DAMAGE AND PROPER FUNCTION.
 - FENCING SHALL BE REPAIRED, AS NECESSARY, TO PROVIDE A PHYSICAL BARRIER FROM CONSTRUCTION ACTIVITIES.
 - SIGNAGE STATING, "WARNING- THIS FENCING SHALL NOT BE REMOVED WITHOUT PERMISSION FROM THE SANTA CLARA COUNTY PLANNING OFFICE (408) 299-5770." COUNTY OF SANTA CLARA TREE PROTECTION MEASURES MAY BE FOUND AT <http://www.sccplanning.gov>. SHALL BE PLACED ON THE TREE PROTECTIVE FENCING UNTIL FINAL OCCUPANCY.
- PRIOR TO COMMENCEMENT OF ANY CONSTRUCTION ACTIVITY, TREE PROTECTIVE FENCING SHALL BE SECURELY IN PLACE AND INSPECTED BY THE LAND DEVELOPMENT ENGINEERING INSPECTOR.
- SEE EXISTING TREE PROTECTION DETAILS FOR MORE INFORMATION.

ACCESS ROADS AND DRIVEWAYS

- DRIVEWAY LOCATIONS SHALL BE AS SHOWN ON THE IMPROVEMENT PLANS WITH CENTERLINE STATIONING. THE MINIMUM PAVEMENT THICKNESS SHALL BE 6 INCHES THROUGHOUT (WITH A MAXIMUM APPROACH SLOPE OF 1 1/4 INCHES PER FOOT).
- ALL DRIVEWAY OR COMMON ACCESS ROAD SECTIONS IN EXCESS OF 15 LONGITUDINAL SLOPE MUST BE PAVED WITH A MINIMUM 2-INCH ASPHALT LIFT OR FULL DEPTH CONCRETE LIFT PRIOR TO ANY COMBUSTIBLE FRAMING. THE OWNER AND PRIME CONTRACTOR ARE RESPONSIBLE FOR MAINTAINING PROJECT SITE ACCESS AND NEIGHBORHOOD ACCESS FOR EMERGENCY VEHICLES AND LOCAL RESIDENTS.
- ROADWAYS DESIGNATED AS NOT COUNTY MAINTAINED ROADS AS SHOWN ON THE PLAN WILL NOT BE ELIGIBLE FOR COUNTY MAINTENANCE UNTIL THE ROADWAYS ARE IMPROVED (AT NO COST TO THE COUNTY) TO THE PUBLIC MAINTENANCE ROAD STANDARDS APPROVED BY THE BOARD OF SUPERVISORS AND IN EFFECT AT SUCH TIME THAT THE ROADWAYS ARE CONSIDERED FOR ACCEPTANCE INTO THE COUNTY'S ROAD SYSTEM.
- ALL WORK IN THE COUNTY ROAD RIGHT-OF-WAY REQUIRES AN ENCROACHMENT PERMIT FROM THE ROADS AND AIRPORTS DEPARTMENT. EACH INDIVIDUAL ACTIVITY REQUIRES A SEPARATE PERMIT - I.E. CABLE, ELECTRICAL, GAS, SEWER, WATER, RETAINING WALLS, DRIVEWAY APPROACHES, FENCES, LANDSCAPING, TREE REMOVAL, STORM DRAINAGE IMPROVEMENTS, ETC.

STREET LIGHTING

- PACIFIC GAS & ELECTRIC ELECTROLIER SERVICE FEE SHALL BE PAID BY THE DEVELOPER AND/OR HIS AUTHORIZED REPRESENTATIVE.

SANITARY SEWER

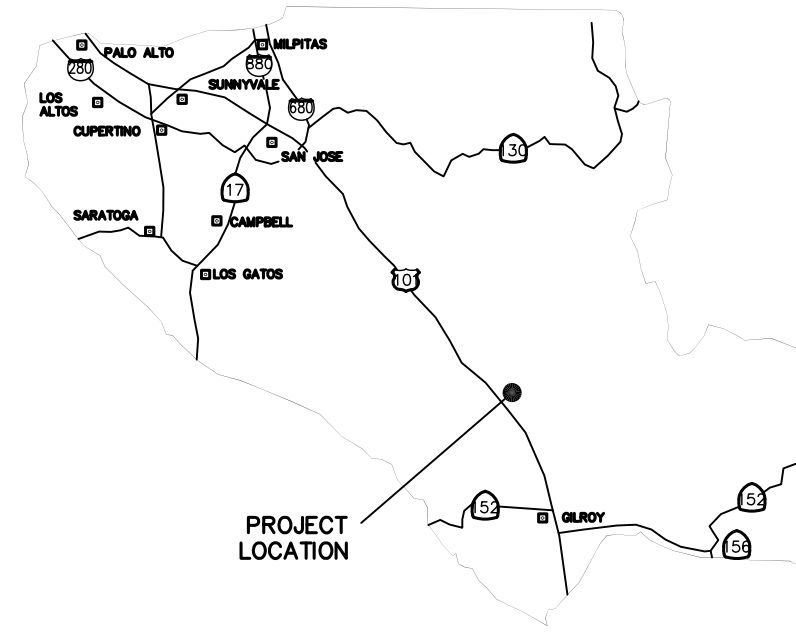
- THE SANITARY SEWER AND WATER UTILITIES SHOWN ON THESE PLANS ARE NOT PART OF THIS GRADING PERMIT AND ARE SHOWN FOR REFERENCE ONLY.
- ALL MATERIALS AND METHODS OF CONSTRUCTION OF SANITARY SEWERS SHALL CONFORM TO THE SPECIFICATIONS OF THE JURISDICTION INVOLVED. INSPECTION OF SANITARY SEWER WORK SHALL BE DONE BY SAID JURISDICTION.

PORTLAND CEMENT CONCRETE

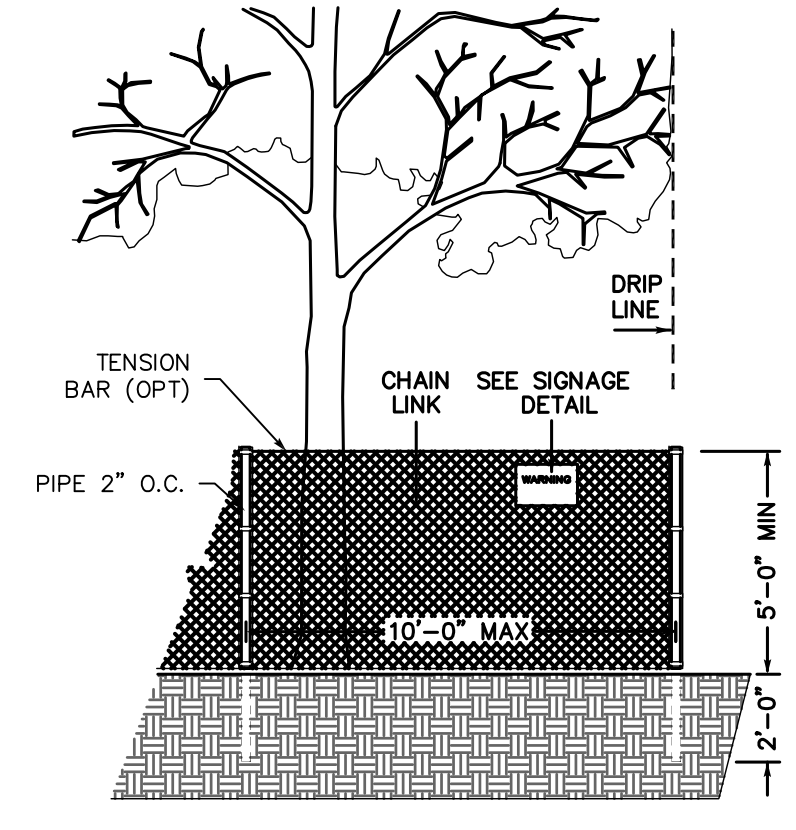
- CONCRETE USED FOR STRUCTURAL PURPOSES SHALL BE CLASS "A" (6 SACK PER CUBIC YARD) AS SPECIFIED IN THE STATE STANDARD SPECIFICATIONS. CONCRETE PLACED MUST DEVELOP A MINIMUM STRENGTH FACTOR OF 2800 PSI IN A SEVEN-DAY PERIOD. THE CONCRETE MIX DESIGN SHALL BE UNDER THE CONTINUAL CONTROL OF THE COUNTY INSPECTOR.

AIR QUALITY, LANDSCAPING AND EROSION CONTROL

- WATER ALL ACTIVE CONSTRUCTION AREAS AT LEAST TWICE DAILY. COVER ALL TRUCKS WITH WASHING SOIL, SAND, AND OTHER LOOSE MATERIALS OR REQUIRE ALL TRUCKS TO MAINTAIN AT LEAST TWO FEET OF FREEBOARD.
- PAVE, APPLY WATER THREE TIMES DAILY, OR APPLY (NON-TOXIC) SOIL STABILIZERS ON ALL UNPAVED ACCESS ROADS, PARKING AREAS AND STAGING AREAS AT CONSTRUCTION SITES.
- SWEEP DAILY (WITH WATER SWEEPERS) ALL PAVED ACCESS ROADS, PARKING AREAS AND STAGING AREAS AT CONSTRUCTION SITES. THE USE OF DRY POWDER SWEEPING IS PROHIBITED.
- SWEEP STREETS DAILY WITH WATER SWEEPERS IF VISIBLE SOIL MATERIAL IS CARRIED ONTO ADJACENT PUBLIC STREETS. THE USE OF DRY POWDER SWEEPING IS PROHIBITED.
- ALL CONSTRUCTION VEHICLES, EQUIPMENT AND DELIVERY TRUCKS SHALL HAVE A MAXIMUM IDLING TIME OF 5 MINUTES (AS REQUIRED BY THE CALIFORNIA AIRBORNE TOXIC CONTROL MEASURE TITLE 13, SECTION 2485 OF CALIFORNIA CODE OF REGULATIONS (CCR)). ENGINES SHALL BE SHUT OFF IF CONSTRUCTION REQUIRES LONGER IDLING TIME UNLESS NECESSARY FOR PROPER OPERATION OF THE VEHICLE.
- ALL VEHICLE SPEEDS ON UNPAVED ROADS SHALL BE LIMITED TO 15 MILES PER HOUR.
- ALL CONSTRUCTION EQUIPMENT SHALL BE MAINTAINED AND PROPERLY TUNED IN ACCORDANCE WITH MANUFACTURER'S SPECIFICATIONS. ALL EQUIPMENT SHALL BE CHECKED BY A CERTIFIED MECHANIC AND DETERMINED TO BE RUNNING IN PROPER CONDITION PRIOR TO OPERATION.
- POST A SIGN THAT IS AT LEAST 32 SQUARE FEET MINIMUM 2 INCHES LETTER HEIGHT VISIBLE NEAR THE ENTRANCE OF CONSTRUCTION SITE THAT IDENTIFIES THE FOLLOWING REQUIREMENTS: OBTAIN ENCROACHMENT PERMIT FOR SIGN FROM ROADS DEPARTMENT OR OTHER APPLICABLE AGENCY IF REQUIRED.
 - 15 MILES PER HOUR (MPH) SPEED LIMIT
 - 5 MINUTES MAXIMUM IDLING TIME OF VEHICLES
 - TELEPHONE NUMBER TO CONTACT THE BAY AREA AIR QUALITY MANAGEMENT DISTRICT REGARDING DUST COMPLAINTS. NOTE PHONE NUMBER OF THE BAY AREA AIR QUALITY MANAGEMENT DISTRICT AIR POLLUTION COMPLAINT HOTLINE OF 1-800-334-6367.
- ALL FILL SLOPES SHALL BE COMPACTED AND LEFT IN A SMOOTH AND FIRM CONDITION CAPABLE OF WITHSTANDING WEATHERING.
- ALL EXPOSED DISTURBED AREAS SHALL BE SEEDED WITH BROME SEED SPREAD AT THE RATE OF 5 LB. PER 1000 SQUARE FEET (OR APPROVED EQUAL). SEEDING AND WATERING SHALL BE MAINTAINED AS REQUIRED TO ENSURE GROWTH.
- ALL DITCHES SHALL BE LINED PER COUNTY STANDARD SDB.
- ALL STORM DRAINAGE STRUCTURES SHALL BE INSTALLED WITH EFFECTIVE ENTRANCE AND OUTFALL EROSION CONTROLS (E.G. INLET CONCRETE RIP-RAP, ENERGY DISSIPATORS SHALL BE INSTALLED AT ALL DITCH OUTFALLS, WHERE OUTFALLS ARE NOT INTO AN EXISTING CREEK OR WATER COURSE, RUNOFF SHALL BE RELEASED TO SHEET FLOW.
- PRIOR TO GRADING COMPLETION AND RELEASE OF THE BOND, ALL GRADED AREAS SHALL BE RESEEDED IN CONFORMANCE WITH THE COUNTY GRADING ORDINANCE TO MINIMIZE THE VISUAL IMPACTS OF THE GRADE SLOPES AND REDUCE THE POTENTIAL FOR EROSION OF THE SUBJECT SITE.
- ALL AGGREGATE BASE MATERIAL SHOWN ON THE ATTACHED CONCRETE PLAN MUST BE INSTALLED AND FIELD APPROVED BY THE COUNTY PLANNING OFFICE PRIOR TO FINAL APPROVAL BY THE COUNTY ENGINEER, AND FINAL OCCUPANCY RELEASE BY THE BUILDING INSPECTION OFFICE.
- THE OWNER SHALL PREPARE AND PRESENT A WINTERIZATION REPORT TO THE COUNTY INSPECTOR FOR REVIEW PRIOR TO OCTOBER 15TH OF EVERY YEAR.
- THE OWNER, CONTRACTOR, AND ANY PERSON PERFORMING CONSTRUCTION ACTIVITIES SHALL INSTALL AND MAINTAIN CONSTRUCTION BEST MANAGEMENT PRACTICES (BMPs) ON THE PROJECT SITE AND WITHIN THE SANTA CLARA COUNTY ROAD RIGHT-OF-WAY THROUGHOUT THE DURATION OF THE CONSTRUCTION AND UNTIL THE ESTABLISHMENT OF PERMANENT STABILIZATION AND SEDIMENT CONTROL TO PREVENT THE DISCHARGE OF POLLUTANTS INCLUDING CONSTRUCTION MATERIALS, EXCAVATED MATERIALS, AND WASTE INTO THE SANTA CLARA COUNTY RIGHT-OF-WAY, STORM SEWER WATERWAYS, ROADWAY INFRASTRUCTURE. BMPs SHALL INCLUDE, BUT NOT BE LIMITED TO THE FOLLOWING:
 - PREVENTION OF POLLUTANTS IN STORM WATER DISCHARGES FROM THE CONSTRUCTION SITE AND THE CONTRACTOR'S MATERIAL AND EQUIPMENT LAYDOWN / STAGING AREAS.
 - PREVENTION OF TRACKING OF MUD, DIRT, AND CONSTRUCTION MATERIALS ONTO THE PUBLIC ROAD RIGHT-OF-WAY.
 - PREVENTION OF DISCHARGE OF WATER RUN-OFF DURING DRY AND WET WEATHER CONDITIONS ONTO THE PUBLIC ROAD RIGHT-OF-WAY.
- THE OWNER, CONTRACTOR, AND ANY PERSON PERFORMING CONSTRUCTION ACTIVITIES SHALL ENSURE THAT ALL TEMPORARY CONSTRUCTION FACILITIES, INCLUDING BUT NOT LIMITED TO CONSTRUCTION MATERIALS, DELIVERIES, HAZARDOUS AND NON-HAZARDOUS MATERIAL STORAGE, EQUIPMENT, TOOLS, PORTABLE TOILETS, CONCRETE WASHOUT, GARBAGE CONTAINERS, LAYDOWN YARDS, SECONDARY CONTAINMENT AREAS, ETC. ARE LOCATED OUTSIDE THE SANTA CLARA COUNTY ROAD RIGHT-OF-WAY.
- EROSION CONTROL PLAN IS A GUIDE AND SHALL BE AMENDED AS NECESSARY TO PREVENT EROSION AND ILLICIT DISCHARGES ON A YEAR AROUND BASIS, DEPENDING ON THE SEASON, WEATHER, AND FIELD CONDITIONS. EROSION CONTROL MEASURES IN ADDITION TO THOSE NOTED IN THE PERMITTED PLANS MAY BE NECESSARY. FAILURE TO INSTALL SITE AND SITUATIONALLY APPROPRIATE EROSION CONTROL MEASURES MAY RESULT IN VIOLATIONS, FINES, AND A STOPPAGE OF WORK.



COUNTY LOCATION MAP



EXISTING TREE PROTECTION DETAILS

- PRIOR TO THE COMMENCEMENT OF ANY GRADING, TREE PROTECTIVE FENCING SHALL BE IN PLACE IN ACCORDANCE WITH THE TREE PRESERVATION PLAN AND INSPECTED BY A CERTIFIED ARBORIST. THE ARBORIST SHALL MONITOR CONSTRUCTION ACTIVITY TO ENSURE THAT THE TREE PROTECTION MEASURES ARE IMPLEMENTED AND ADHERED TO DURING CONSTRUCTION. THIS CONDITION SHALL BE INCORPORATED INTO THE GRADING PLANS.
- FENCE SHALL BE MINIMUM 5 FEET TALL CONSTRUCTED OF STURDY MATERIAL (CHAIN-LINK OR EQUIVALENT STRENGTH/DURABILITY).
- FENCING SHALL BE SUPPORTED BY VERTICAL POSTS DRIVEN 2 FEET (MIN) INTO THE GROUND AND SPACED NOT MORE THAN 10 FEET APART.
- TREE FENCING SHALL BE MAINTAINED THROUGHOUT THE SITE DURING THE CONSTRUCTION PERIOD, INSPECTED PERIODICALLY FOR DAMAGE AND PROPER FUNCTION, REPAIRED AS NECESSARY TO PROVIDE A PHYSICAL BARRIER FROM CONSTRUCTION ACTIVITIES, AND REMAIN IN PLACE UNTIL THE FINAL INSPECTION.
- A SIGN THAT INCLUDES THE WORDS, "WARNING: THIS FENCE SHALL NOT BE REMOVED WITHOUT THE EXPRESSED PERMISSION OF THE SANTA CLARA COUNTY PLANNING OFFICE," SHALL BE SECURELY ATTACHED TO THE FENCE IN A VISUALLY PROMINENT LOCATION.

STORM DRAINAGE AND STORMWATER MANAGEMENT

- DEVELOPER IS RESPONSIBLE FOR ALL NECESSARY DRAINAGE FACILITIES WHETHER SHOWN ON THE PLANS OR NOT AND HE OR HIS SUCCESSOR PROPERTY OWNERS ARE RESPONSIBLE FOR THE ADEQUACY AND CONTINUED MAINTENANCE OF THESE FACILITIES IN A MANNER WHICH WILL PRECLUDE ANY HAZARD TO LIFE, HEALTH, OR DAMAGE TO ADJOINING PROPERTY, CONSISTENT WITH NPDES PERMIT CAS612008 / ORDER NO. R2-2009-0047 AND NPDES PERMIT CAS000004 / ORDER NO. 2013-0001-DWG.
- DROP INLETS SHALL BE COUNTY STANDARD TYPE 5 UNLESS OTHERWISE NOTED ON THE PLANS. THE DEVELOPER'S ENGINEER SHALL BE RESPONSIBLE FOR THE PROPER LOCATION OF DROP INLETS. WHERE STREET PROFILE GRADE EXCEEDS 6% DROP INLETS SHALL BE SET AT 500 ALONG CURB LINE TO ACCEPT WATER OR AS SHOWN ON THE PLANS.
- WHERE CULVERTS ARE INSTALLED THE DEVELOPER SHALL BE RESPONSIBLE FOR GRADING THE OUTLET DITCH TO DRAIN TO AN EXISTING SWALE OR TO AN OPEN AREA FOR SHEET FLOW.
- UPON INSTALLATION OF DRIVEWAY CONNECTIONS, PROPERTY OWNERS SHALL PROVIDE FOR THE UNINTERRUPTED FLOW OF WATER IN ROADSIDE DITCHES.
- THE COUNTY SHALL INSPECT UNDERGROUND DRAINAGE IMPROVEMENTS AND STORMWATER MANAGEMENT FEATURES PRIOR TO BACKFILL.

AS-BUILT PLANS STATEMENT

THIS IS A TRUE COPY OF THE AS-BUILT PLANS. THERE () WERE () WERE NOT) MINOR FIELD CHANGES MARKED WITH THE SYMBOL () THERE () WERE () WERE NOT) PLAN REVISIONS INDICATING SIGNIFICANT CHANGES REVIEWED BY THE COUNTY ENGINEER AND MARKED WITH THE SYMBOL ().

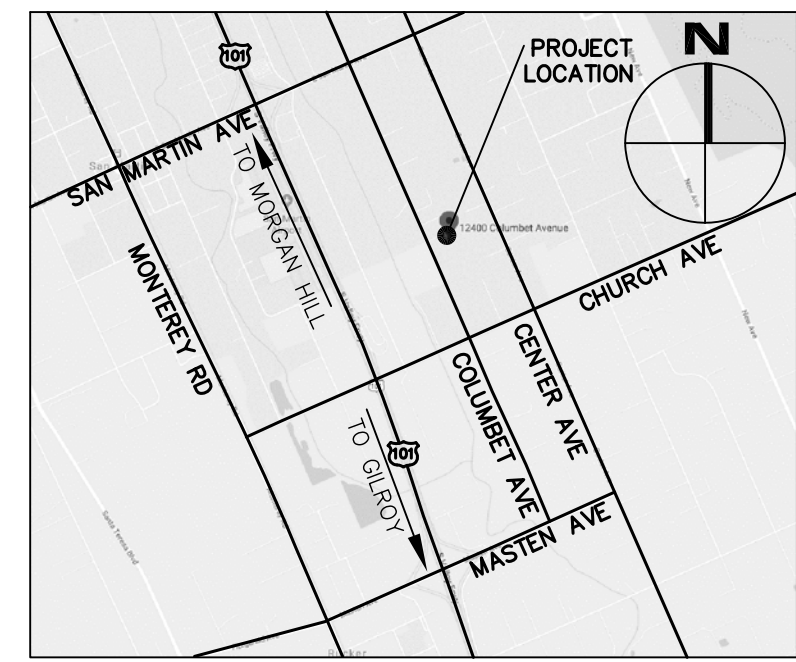
DATE _____ SIGNATURE _____

NOTE: THIS STATEMENT IS TO BE SIGNED BY THE PERSON AUTHORIZED BY THE COUNTY ENGINEER TO PERFORM THE INSPECTION WORK, A REPRODUCIBLE COPY OF THE AS-BUILT PLANS MUST BE FURNISHED TO THE COUNTY ENGINEER AFTER CONSTRUCTION.

GEOTECHNICAL ENGINEER OBSERVATION

- A CONSTRUCTION OBSERVATION LETTER FROM THE RESPONSIBLE GEOTECHNICAL ENGINEER AND ENGINEERING GEOLOGIST DETAILING CONSTRUCTION OBSERVATIONS AND CERTIFYING THAT THE WORK WAS DONE IN ACCORDANCE WITH THE RECOMMENDATIONS IN THE GEOTECHNICAL AND GEOLOGIC REPORTS SHALL BE SUBMITTED PRIOR TO THE GRADING COMPLETION AND RELEASE OF THE BOND.

DATE _____ CHRISTOPHER . FREITAS, R.C.E.
42107 3/31/2022
R.C.E. NO. _____ EXPIRATION DATE _____



VICINITY MAP

COLUMBET AVE MLD
LANDS OF
MON FONG LIN

SCOPE OF WORK

- THE DEVELOPER IS RESPONSIBLE FOR THE INSTALLATION OF THE WORK PROPOSED ON THE EROSION CONTROL PLAN. THE ENGINEER OF RECORD IS RESPONSIBLE FOR THE DESIGN OF THE EROSION CONTROL PLANS AND ANY MODIFICATIONS OF THE EROSION CONTROL PLANS TO PREVENT ILLICIT DISCHARGES FROM THE SITE DURING CONSTRUCTION.
- TWO LOT SUBDIVISION OF AN EXISTING 10 ACRE PARCEL INTO 2 5 ACRE PARCELS
- CONSTRUCT NEW RESIDENCES ON EACH PARCEL
- CONSTRUCT NEW AC DRIVEWAYS (ONE FOR EACH PARCEL) WITH ACCESS TO COLUMBET AVE
- EXTEND EDGE OF AC PAVEMENT ON PROJECT FRONTAGE OF COLUMBET AVENUE TO BE 16' FROM CENTERLINE OF ROAD ALONG WITH ADDITION OF A 3' GRAVEL SHOULDER. EXISTING ROADSIDE SWALE SHALL BE RELOCATED.

- INDICATES FOUND IRON PIPE AS NOTED
- INDICATES IRON PIPE TO BE SET

TOPOGRAPHIC SURVEY

THE TOPOGRAPHIC SURVEY AND BOUNDARY INFORMATION PROVIDED HEREON WAS COMPLETED BY CARNES AND ASSOCIATES, RI ENGINEERING INC. MAKES NO GUARANTEE AS TO THE ACCURACY OF BOTH. THE CONTRACTOR SHALL VERIFY THE BOUNDARY LOCATION AND TOPOGRAPHIC INFORMATION PRIOR TO COMMENCING WORK.

BASIS OF BEARINGS

THE BEARINGS SHOWN ON THIS MAP ARE BASED ON THE CENTERLINE MONUMENTS AS FOUND MONUMENTED AND RECORDED AS N23°49'00" W IN BOOK "G" OF MAPS AT PAGE 69, RECORDS OF SANTA CLARA COUNTY, CALIFORNIA

BASIS OF ELEVATION

THE ELEVATIONS ON THIS MAP ARE BASED ON THE SANTA CLARA VALLEY WATER DISTRICT BENCHMARK BM016. ELEVATION = 292.53 FEET (NAVD88)

SURVEY MONUMENT PRESERVATION

- THE LANDOWNER / CONTRACTOR MUST PROTECT AND ENSURE THE PERPETUATION OF SURVEY MONUMENTS AFFECTED BY CONSTRUCTION ACTIVITIES.
- PRIOR TO THE START OF CONSTRUCTION, THE CONTRACTOR SHALL LOCATE, STAKE, AND FLAG ALL PERMANENT SURVEY MONUMENTS OF RECORD AND ANY UNRECORDED MONUMENTS THAT ARE DISCOVERED THAT ARE WITHIN 50 FEET OF THE CONSTRUCTION ACTIVITY.
- THE CONTRACTOR SHALL CAUSE TO HAVE A LICENSED LAND SURVEYOR OR CIVIL ENGINEER, AUTHORIZED TO PRACTICE SURVEYING, RESET PERMANENT MONUMENT(S) IN THE SURFACE OF THE NEW CONSTRUCTION OR SET A WITNESS MONUMENT(S) TO PERPETUATE THE LOCATION IF ANY PERMANENT MONUMENT COULD BE DESTROYED, DAMAGED, COVERED, DISTURBED, OR OTHERWISE OBLITERATED. THE LICENSED LAND SURVEYOR OR CIVIL ENGINEER SHALL FILE A CORNER RECORD OR RECORD OF SURVEY WITH COUNTY SURVEYOR PRIOR TO FINAL ACCEPTANCE OF THE PROJECT BY THE LAND DEVELOPMENT ENGINEERING INSPECTOR.

COUNTY OF SANTA CLARA DEPT. OF ROADS AND AIRPORTS
ISSUED BY: _____ DATE: _____
ENCROACHMENT PERMIT NO. _____

COUNTY OF SANTA CLARA
LAND DEVELOPMENT ENGINEERING & SURVEYING
GRADING / DRAINAGE PERMIT NO. _____
ISSUED BY: _____ DATE: _____

NO WORK SHALL BE DONE IN THE COUNTY'S RIGHT-OF-WAY WITHOUT AN ENCROACHMENT PERMIT, INCLUDING THE STAGING OF CONSTRUCTION MATERIAL AND THE PLACEMENT OF PORTABLE TOILETS.

ENGINEER'S STATEMENT

I HEREBY STATE THAT THESE PLANS ARE IN COMPLIANCE WITH ADOPTED COUNTY STANDARDS, THE APPROVED TENTATIVE MAP (OR PLAN) AND CONDITIONS OF APPROVAL PERTAINING THERETO DATED FILE(S) NO. _____

DATE 1/4/2021 SIGNATURE _____ 83644 R.C.E. NO. _____



COUNTY ENGINEER'S NOTE

ISSUANCE OF A PERMIT AUTHORIZING CONSTRUCTION DOES NOT RELEASE THE DEVELOPER, PERMITEE OF ENGINEER FROM RESPONSIBILITY FOR THE CORRECTION OF ERRORS OR OMISSIONS CONTAINED IN THE PLANS - IF, DURING THE COURSE OF CONSTRUCTION, THE PUBLIC INTEREST REQUIRES A MODIFICATION (OR DEPARTURE FROM) THE SPECIFICATIONS OF THE PLANS, THE COUNTY SHALL HAVE THE AUTHORITY TO REQUIRE THE SUSPENSION OF WORK, AND THE NECESSARY MODIFICATION OR DEPARTURE AND TO SPECIFY THE MANNER IN WHICH THE SAME IS TO BE MADE.

DATE _____ CHRISTOPHER . FREITAS, R.C.E.
42107 3/31/2022
R.C.E. NO. _____ EXPIRATION DATE _____

SHEET INDEX

C-0	COVER SHEET
C-1	SITE PLAN
C-2	GRADING AND DRAINAGE PLAN
C-3	DETAILS AND SECTIONS
C-4	EROSION CONTROL PLAN
BMP-1	BEST MANAGEMENT PRACTICES SHEET 1
BMP-2	BEST MANAGEMENT PRACTICES SHEET 2
ENGINEER'S NAME: MARK M. GROFCSIK, RCE 83644	
ADDRESS: 303 POTRERO STREET, SUITE 42-202 SANTA CLARA, CA 95060	
PHONE NO. (831) 425-3901	

Revision	Date	APN	Sheet
Revision 1	Date	825-23-011	1 of
Revision 2	Date	Co. File	of
Revision 3	Date	PLN 19-0020	7

EARTHWORK AND GRADING

1. WORK SHALL CONSIST OF ALL CLEARING, GRUBBING, STRIPPING, PREPARATION OF LAND TO BE FILLED, EXCAVATION, SPREAD, COMPACTION AND CONTROL OF FILL, AND ALL SUBSIDIARY WORK NECESSARY TO COMPLETE THE GRADING TO CONFORM TO THE LINES, GRADES, AND SLOPES, AS SHOWN ON THE APPROVED PLANS.
2. ALL GRADING OPERATIONS SHALL CONFORM TO SECTION 19 OF THE CALTRANS STANDARD SPECIFICATIONS, AND SHALL ALSO BE DONE IN CONFORMANCE WITH THE REQUIREMENTS OF THE COUNTY OF SANTA CLARA. THE MOST STRINGENT GUIDELINE SHALL PREVAIL.
3. REFERENCE IS MADE TO THE GEOTECHNICAL INVESTIGATIONS BY XXXXXXXX, ENTITLED "XXXXXX" DATED XXXXXX. THE CONTRACTOR SHALL MAKE A THOROUGH REVIEW OF THIS REPORT AND SHALL FOLLOW ALL RECOMMENDATIONS THEREIN. THE CONTRACTOR SHALL CONTACT XXXXXX FOR ANY CLARIFICATIONS NECESSARY PRIOR TO PROCEEDING WITH THE WORK.
4. THE CONTRACTOR SHALL GRADE TO THE LINE AND ELEVATIONS SHOWN ON THE PLAN AND SHALL SECURE THE SERVICES OF A LICENSED LAND SURVEYOR OR REGISTERED CIVIL ENGINEER TO PROVIDE STAKES FOR LINE AND GRADE.
5. THE GEOTECHNICAL ENGINEER SHOULD BE NOTIFIED AT LEAST FOUR (4) DAYS PRIOR TO ANY SITE CLEARING AND GRADING OPERATIONS.
6. THE UPPER 18" OF NATIVE SUBGRADE IN AREAS TO RECEIVE CONCRETE SLABS AND/OR PAVEMENTS SHOULD BE OVEREXCAVATED AND EXPOSED SURFACE SHOULD BE SCARIFIED, MOISTURE CONDITIONED TO PRODUCE A MOISTURE CONTENT WITHIN 4% TO 5% ABOVE THE LABORATORY OPTIMUM VALUE, AND UNIFORMLY COMPACTED TO AT LEAST 90% RELATIVE COMPACTION BASED ON ASTM TEST D1557. THE UPPER 6" OF CONCRETE SLAB, AND PAVEMENT SUBGRADE AND BASE SHOULD BE COMPACTED TO AT LEAST 95% RELATIVE COMPACTION UNLESS OTHERWISE RECOMMENDED BY THE GEOTECHNICAL ENGINEER.
7. ENGINEERED FILL SHOULD BE PLACED IN THIN LIFTS NOT EXCEEDING 6" IN LOOSE THICKNESS, MOISTURE CONDITIONED, AND COMPACTED TO AT LEAST 90% RELATIVE COMPACTION.
8. MATERIAL USED FOR ENGINEERED FILL SHALL MEET THE REQUIREMENTS OF THE AFOREMENTIONED REPORTS BY XXXXXXXX.
9. IMPORTED FILL MATERIAL USED AS ENGINEERED FILL FOR THE PROJECT SHALL MEET THE FOLLOWING REQUIREMENTS:
Less than 3% organics, free of debris and gravel material, contain no rocks or clods greater than 2.5" in diameter, with no more than 15 percent by weight of rocks larger than 2 1/2".
Be granular and have a plasticity index of less than 15, and should have sufficient binder to allow excavations to stand without caving.
10. ALL FILL MATERIAL SHALL BE APPROVED BY THE PROJECT GEOTECHNICAL ENGINEER PRIOR TO JOBSITE DELIVERY AND PLACEMENT. NO EARTHWORK OPERATIONS SHALL BE PERFORMED WITHOUT THE DIRECT OBSERVATION AND APPROVAL OF THE GEOTECHNICAL ENGINEER.
11. BARE GROUND WITHIN 10' OF FOUNDATIONS SHALL BE SLOPED AWAY @ 5% MINIMUM OR 2% MINIMUM FOR PAVED SURFACES.

STORM DRAIN SYSTEM MAINTENANCE

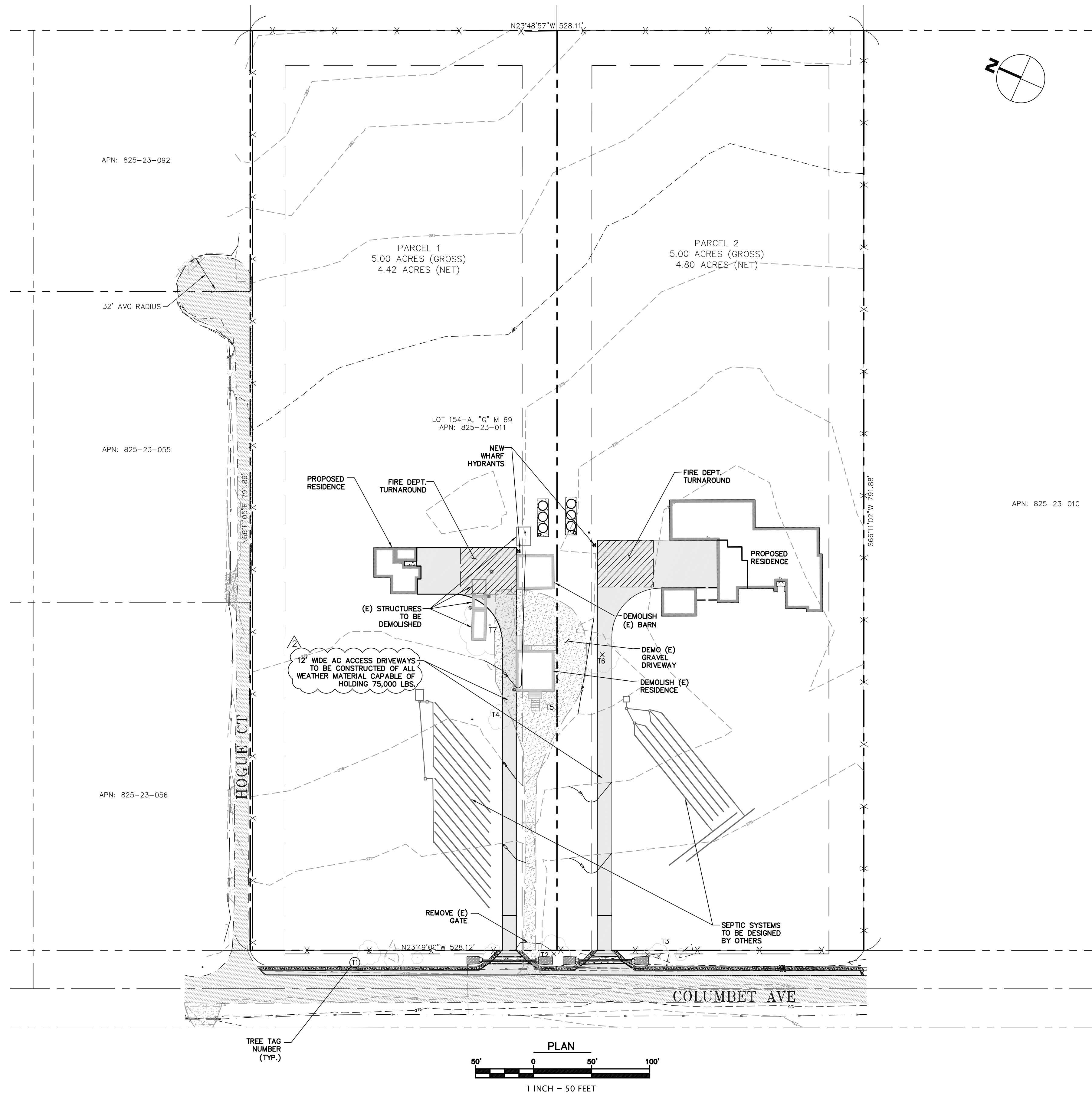
THE HOME OWNER IS RESPONSIBLE FOR MAINTAINING THE STORM DRAINAGE SYSTEM AND ALL COMPONENTS. EVERY YEAR, PRIOR TO THE WET WEATHER SEASON (OCTOBER 15TH) ALL THE CATCH BASINS AND STORM DRAIN CLEANOUTS SHALL BE INSPECTED AND CLEANED OF ANY DEBRIS, SILT, TRASH AND SEDIMENT.

STORM DRAINAGE NOTES

1. CULVERTS SHALL BE REINFORCED CONCRETE PIPE (RCP), POLYVINYL CHLORIDE (PVC), OR HIGH DENSITY POLYETHYLENE (HDPE) AND SHALL HAVE A SMOOTH INTERIOR CONFORMING TO SANTA CLARA COUNTY DRAINAGE MANUAL.
2. INLETS SHALL BE CHRISTY CONCRETE PRODUCTS OR APPROVED EQUAL.
3. CONNECT ALL DOWNSPOUTS TO PERIMETER STORM DRAIN.

BIOLOGICAL RESOURCES NOTES

- A) IF LAND-CLEARING ACTIVITIES CAN BE PERFORMED OUTSIDE OF THE NESTING SEASON, THAT IS, BETWEEN AUGUST 16 AND JANUARY 31, NO SURVEYS FOR GROUND-NESTING AND/OR TREE-NESTING PASSERINES ARE WARRANTED. THE SURVEY AREA SHOULD INCLUDE ALL TREES AND SCRUB WITHIN 200 FEET OF THE LIMITS OF WORK. THE PURPOSE OF PRE-CONSTRUCTION CONSTRUCTION SURVEYS IS TO DETERMINE IF OCCUPIED NESTS ARE PRESENT WITHIN THE ZONE OF INFLUENCE OF THE PROJECT.
- B) IF LAND-CLEARING ACTIVITIES ARE TO COMMENCE BETWEEN FEBRUARY 1 AND AUGUST 15, A PRE-CONSTRUCTION SURVEY FOR GROUND-NESTING AND/OR TREE-NESTING PASSERINES MUST BE CONDUCTED PRIOR TO THE INITIATION OF WORK. THE SURVEY AREA SHOULD INCLUDE ALL TREES, BUSHES, GRASSLAND AND STRUCTURES WITHIN 100 FEET OF THE LIMITS OF WORK. THE PURPOSE OF PRE-CONSTRUCTION SURVEYS IS TO DETERMINE IF OCCUPIED NESTS ARE PRESENT WITHIN THE ZONE OF INFLUENCE OF THE PROJECT.
- C) DEPENDING ON THE TIME OF YEAR AND DEPENDING ON THE RESULTS OF THE PRE-CONSTRUCTION SURVEYS, IT MIGHT BE NECESSARY THAT CONSTRUCTION ACTIVITIES COMMENCE WITHIN ONE WEEK OF THE SURVEY EARLY IN THE BREEDING SEASON TO AS LONG AS 30 DAYS LATE IN THE BREEDING SEASON, AS RECOMMENDED BY THE WILDLIFE BIOLOGIST. IF CONSTRUCTION IS NOT INITIATED WITHIN THESE WINDOWS, IT MIGHT BE NECESSARY TO REPEAT THE PRE-CONSTRUCTION SURVEYS.
- D) IF ANY OCCUPIED GROUND-NESTING AND/OR TREE-NESTING PASSERINE NESTS ARE FOUND WITHIN THE ZONE OF INFLUENCE, GRADING AND CONSTRUCTION SHALL BE PROHIBITED WITHIN AN APPROPRIATE SETBACK (IN GENERAL, 75-100 FEET, DEPENDING ON LINES OF SIGHT AND THE SPECIES IN QUESTION), AS APPROVED BY A QUALIFIED BIOLOGIST. WORK WITHIN THE SETBACK MUST BE DELAYED UNTIL AFTER THE YOUNG HAVE FLEDGED, AS DETERMINED DURING SURVEYS BY A QUALIFIED BIOLOGIST, OR UNTIL AFTER AUGUST 15.



LEGEND

- (E) AB
- (E) AC
- (E) CONCRETE
- PROPOSED AC
- PROPOSED SELF-RETAINING AREA
- (E) FLOWLINE
- (E) RETAINING WALL
- PROPERTY LINE
- (E) SETBACK
- PROPOSED EASEMENT
- PROPOSED LIMIT OF GRADING
- PROPOSED RETAINING WALL
- PROPOSED AC BERM
- PROPOSED SWALE
- PROPOSED SD
- PROPOSED PERIMETER SD
- PROPOSED SDCO
- PROPOSED CB

ABBREVIATIONS

- BW BOTTOM OF WALL
- CB CATCH BASIN
- CONST CONSTRUCT
- DIA, # DIAMETER
- DS DOWNSPOUT
- DTL DETAIL
- DWY DRIVEWAY
- (E) EXISTING
- EL ELEVATION
- EOP EDGE OF PAVEMENT
- FF FINISH FLOOR
- FG FINISH GRADE
- FS FIRE SERVICE
- HP HIGH POINT
- INV INVERT
- LF LINEAR FEET
- LP LOW POINT
- MAX MAXIMUM
- N.T.S. NOT TO SCALE
- RW RETAINING WALL
- RIM RIM ELEVATION
- S SLOPE
- SCCO SANTA CLARA COUNTY
- SSCO SANITARY SEWER CLEANOUT
- SDCO STORM DRAIN CLEANOUT
- TYP TYPICAL
- TW TOP OF WALL
- WS WATER SERVICE

FIRE SPRINKLER SYSTEM

RESIDENTIAL FIRE SPRINKLER SYSTEM WILL BE A DEFERRED SUBMITTAL.

TREE TABLE

TREE NO.	SPECIES	SIZE (DIA)	ACTION
T1	PEPPER	18"	PROTECT
T2	PEPPER	18"	REMOVE
T3	EUCALYPTUS	14"	REMOVE
T4	AVOCADO	14"	PROTECT
T5	PALM	14"	PROTECT
T6	WALNUT	24"	REMOVE
T7	OAK	24"	PROTECT

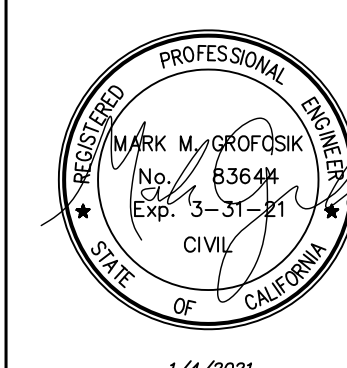
IMPERVIOUS AREA TABLE PARCEL 1

IMPERVIOUS AREA	EXISTING CONDITIONS	PROPOSED CONDITIONS
RESIDENCE	2,580 SF	1,250 SF
AC DRIVEWAY	0 SF	7,450 SF
CONC FLATWORK	160 SF	350 SF
TOTAL IMPERVIOUS	2,740 SF	9,050 SF
NET IMPERVIOUS ADDED		6,310 SF **

IMPERVIOUS AREA TABLE PARCEL 2

IMPERVIOUS AREA	EXISTING CONDITIONS	PROPOSED CONDITIONS
RESIDENCE	0 SF	8,490 SF
AC DRIVEWAY	0 SF	8,350 SF
CONC FLATWORK	0 SF	350 SF
TOTAL IMPERVIOUS	0 SF	17,190 SF
NET IMPERVIOUS ADDED		17,190 SF **

RESPONSE TO COUNTY COMMENTS 03/31/2020
RESPONSE TO COUNTY COMMENTS 1/4/2021



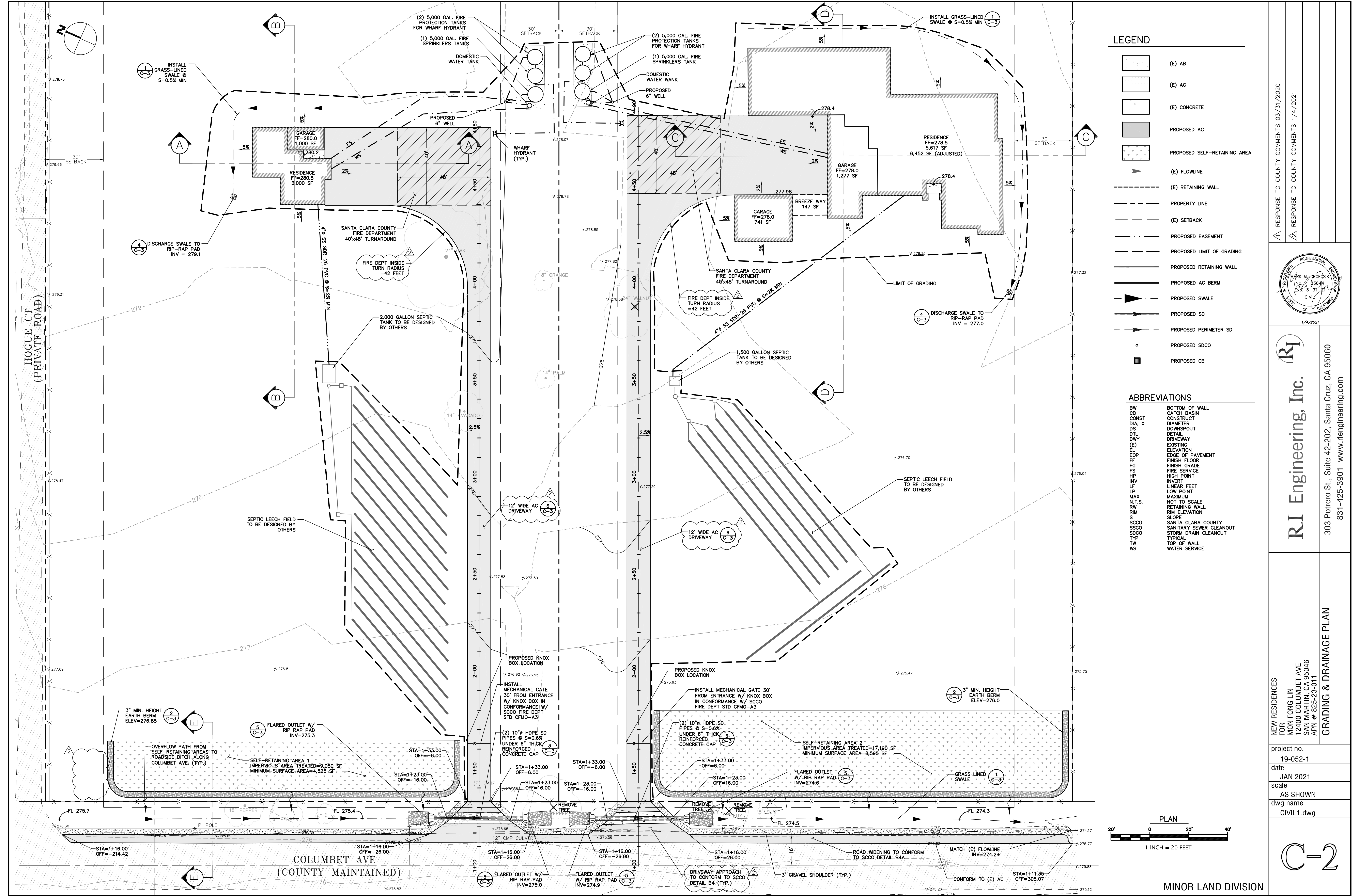
R.I. Engineering, Inc.
303 Potrero St., Suite 42-202, Santa Cruz, CA 95060
831-425-3901 www.rieengineering.com

NEW RESIDENCES FOR
MON FONG LIN
12400 COLUMBET AVE
SAN MARTIN, CA 95046
APN # 825-23-011

SITE PLAN
project no. 19-052-1
date JAN 2021
scale AS SHOWN
dwg name CIVIL1.dwg

C-1

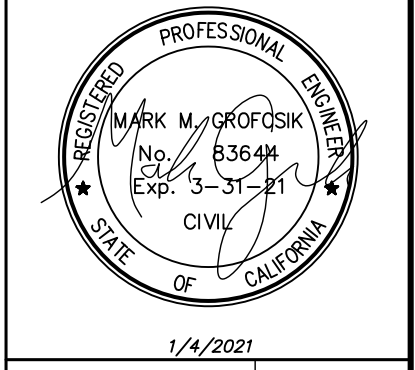
MINOR LAND DIVISION



- ### LEGEND
- (E) AB
 - (E) AC
 - (E) CONCRETE
 - PROPOSED AC
 - PROPOSED SELF-RETAINING AREA
 - (E) FLOWLINE
 - (E) RETAINING WALL
 - PROPERTY LINE
 - (E) SETBACK
 - PROPOSED EASEMENT
 - PROPOSED LIMIT OF GRADING
 - PROPOSED RETAINING WALL
 - PROPOSED AC BERM
 - PROPOSED SWALE
 - PROPOSED SD
 - PROPOSED PERIMETER SD
 - PROPOSED SDCO
 - PROPOSED CB

- ### ABBREVIATIONS
- BW BOTTOM OF WALL
 - CB CATCH BASIN
 - CONST CONSTRUCT
 - DIA. # DIAMETER
 - DS DOWNSPOUT
 - DTL DETAIL
 - DWPY DRIVEWAY
 - (E) EXISTING
 - EL ELEVATION
 - EQP EDGE OF PAVEMENT
 - FF FINISH FLOOR
 - FG FINISH GRADE
 - FS FIRE SERVICE
 - HP HIGH POINT
 - INV INVERT
 - LF LINEAR FEET
 - LP LOW POINT
 - MAX MAXIMUM
 - N.T.S. NOT TO SCALE
 - RW RETAINING WALL
 - RM RIM ELEVATION
 - S SLOPE
 - SCCO SANTA CLARA COUNTY SANITARY SEWER CLEANOUT
 - SSCO STORM DRAIN CLEANOUT
 - TYP TYPICAL
 - TW TOP OF WALL
 - WS WATER SERVICE

RESPONSE TO COUNTY COMMENTS 03/31/2020
 RESPONSE TO COUNTY COMMENTS 1/4/2021

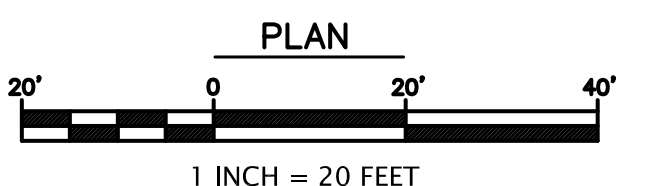


RJ Engineering, Inc.
 303 Potrero St., Suite 42-202, Santa Cruz, CA 95060
 831-425-3901 www.rjengineering.com

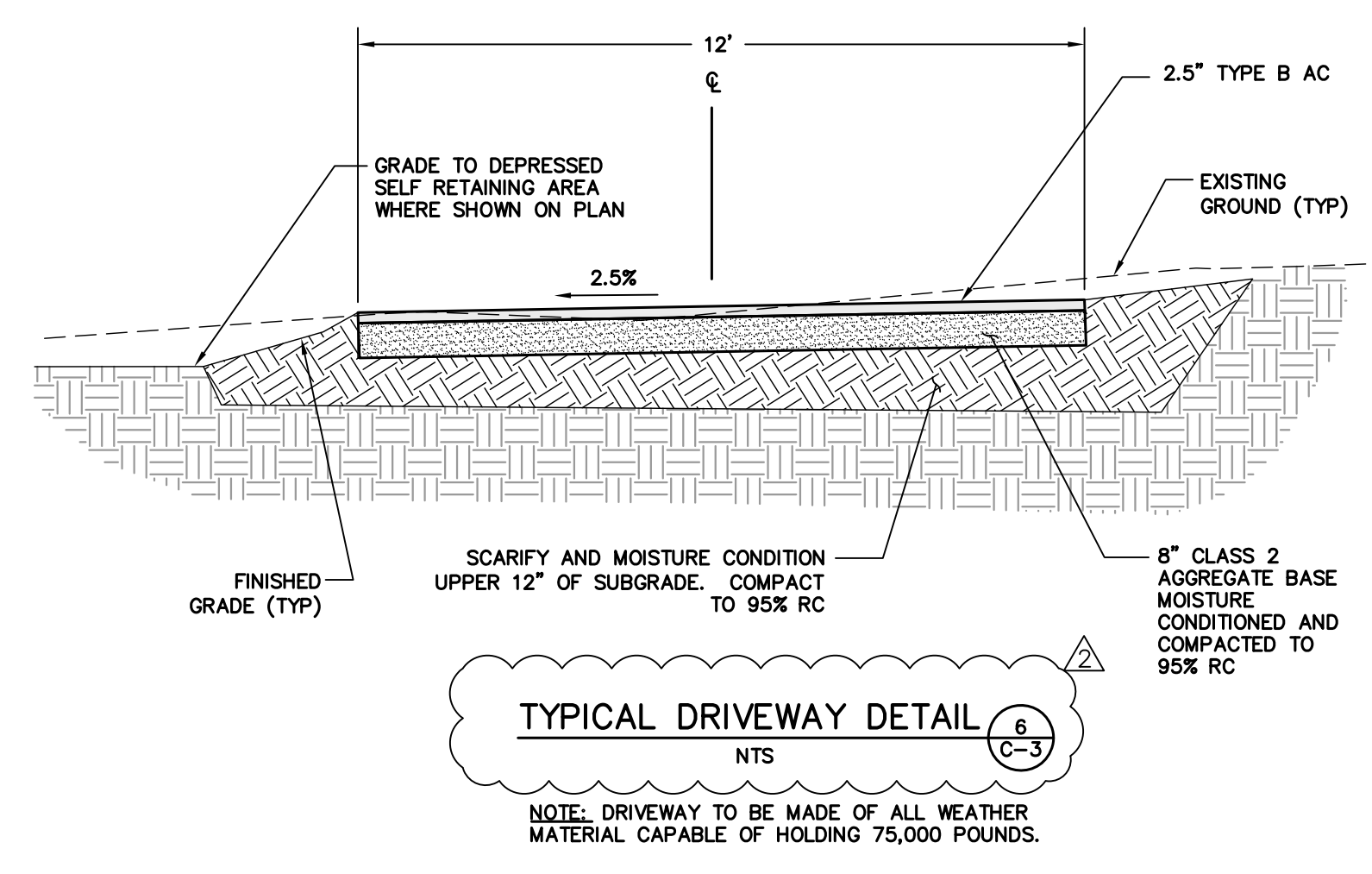
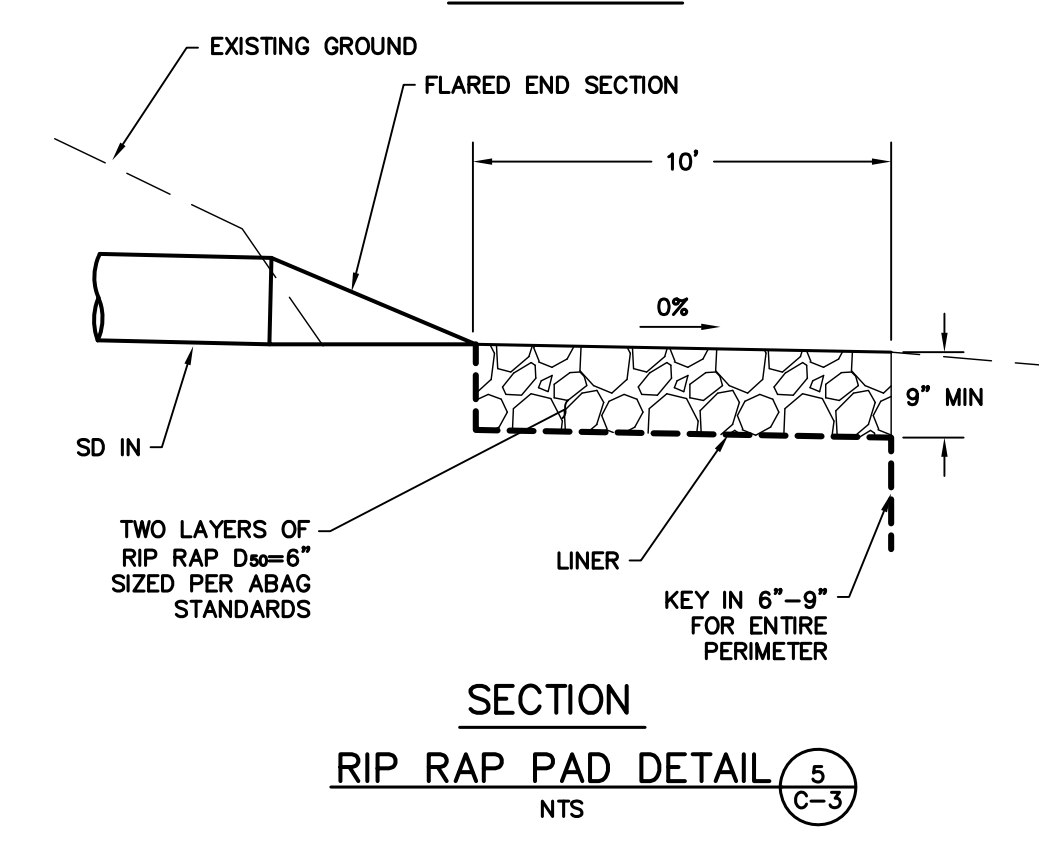
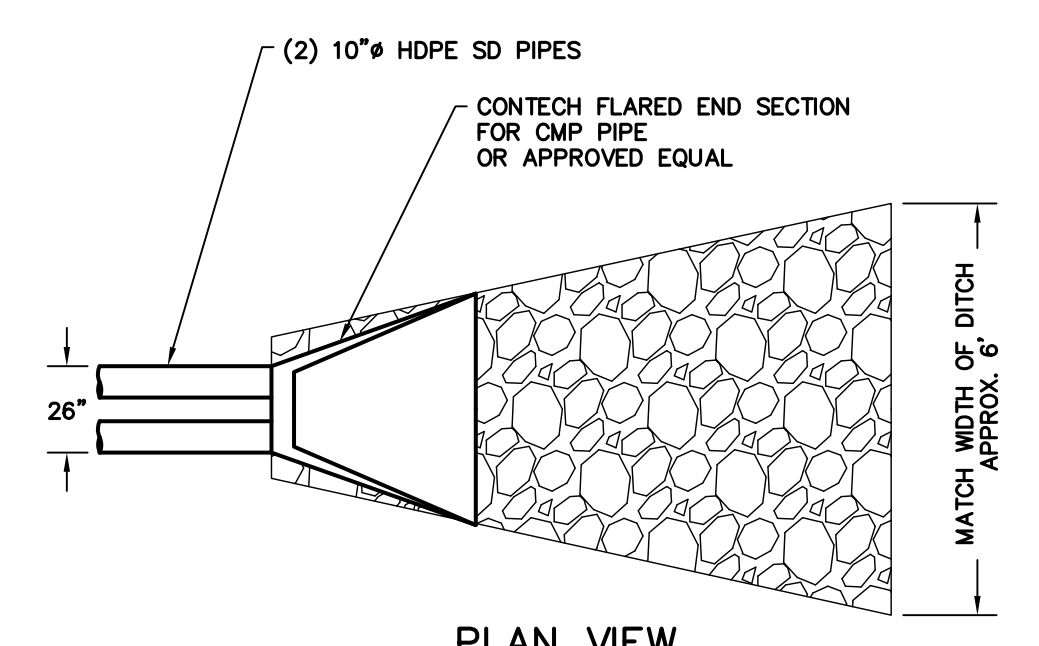
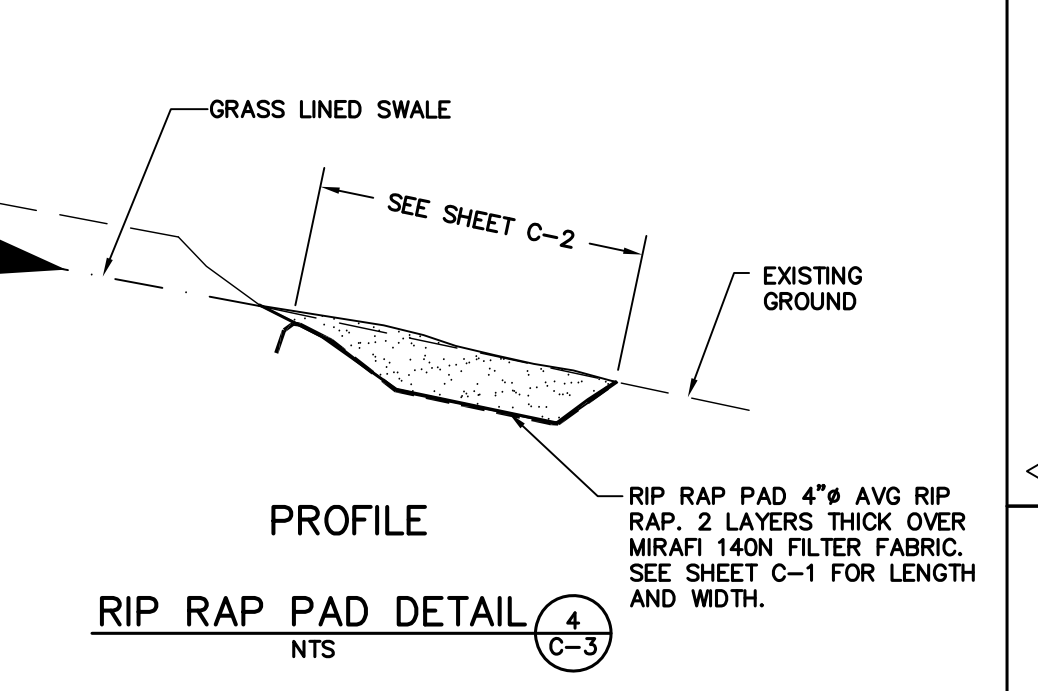
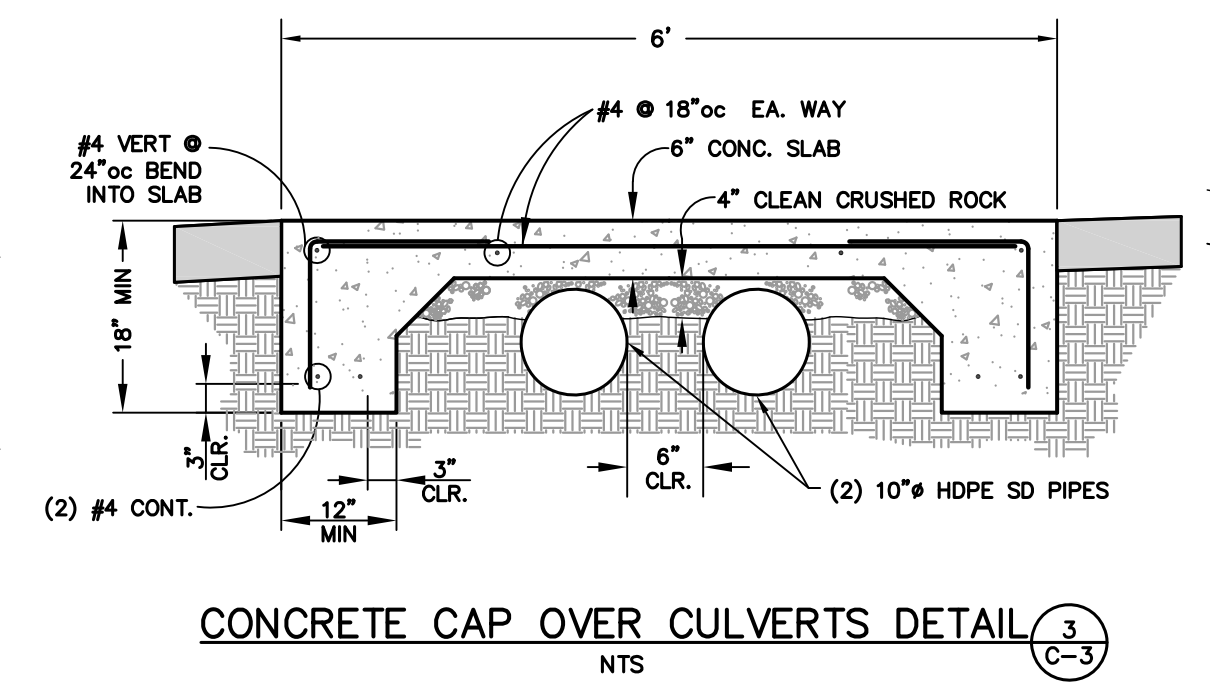
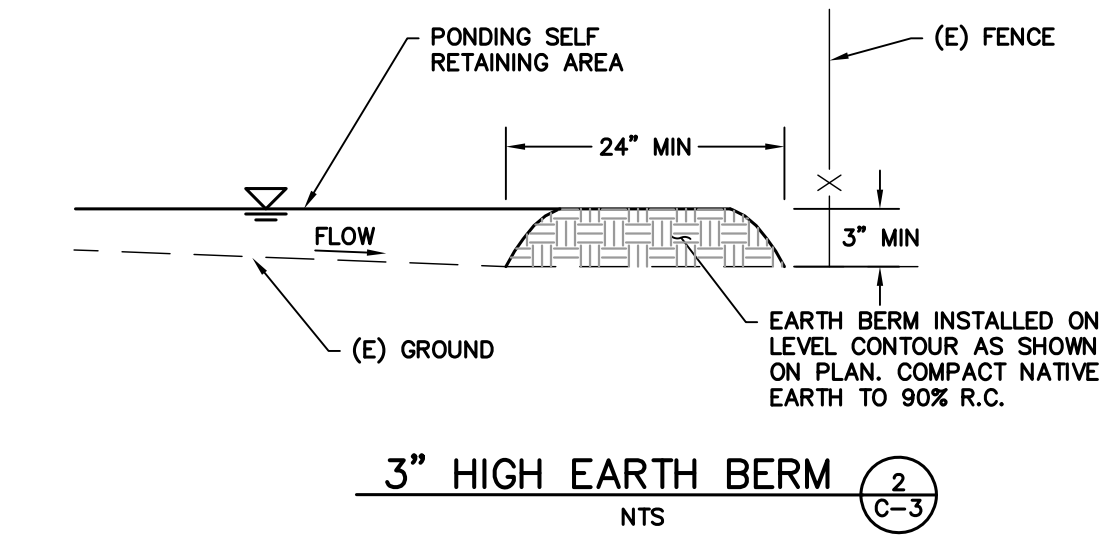
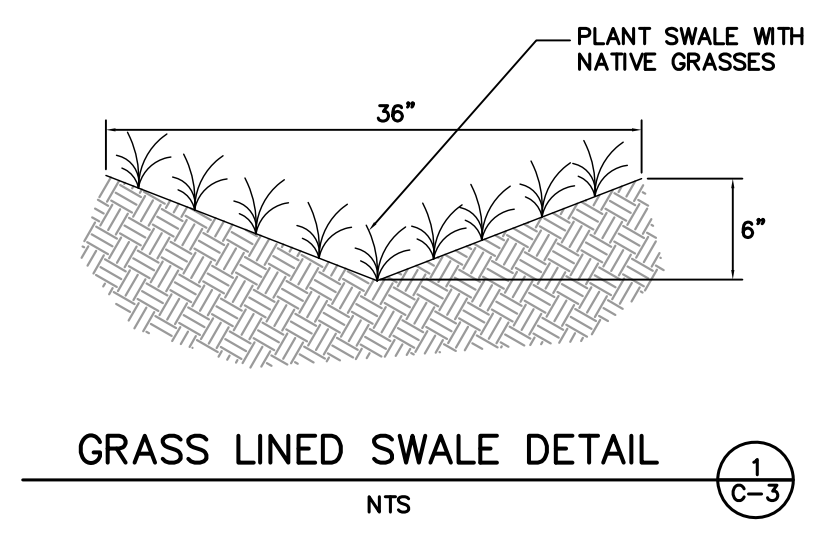
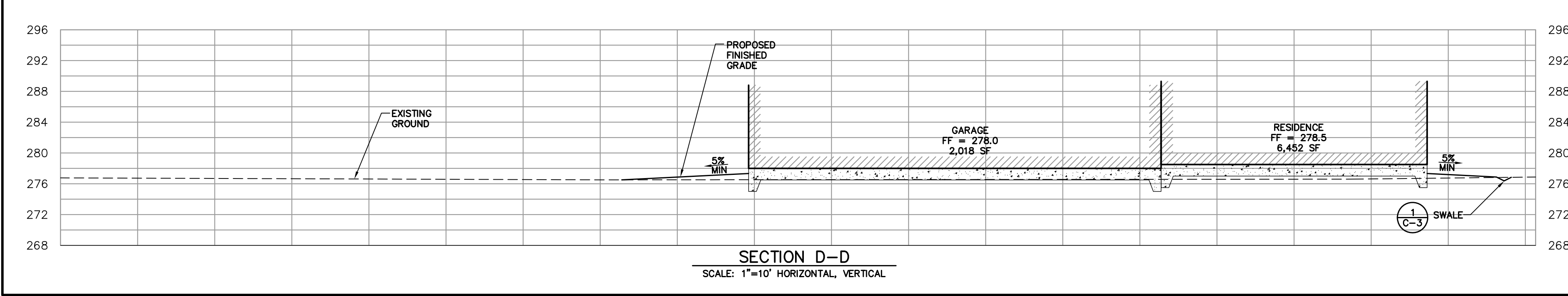
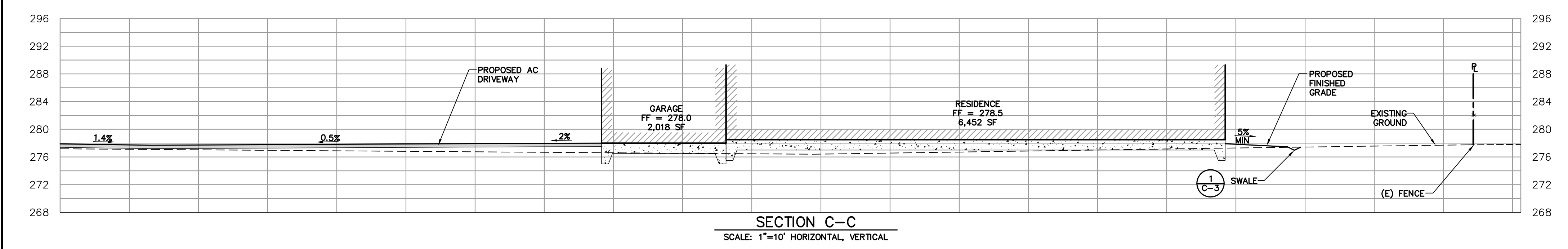
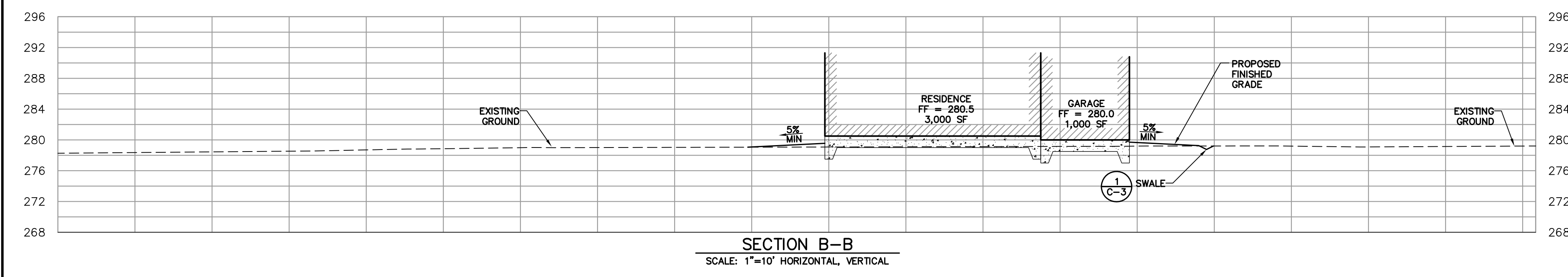
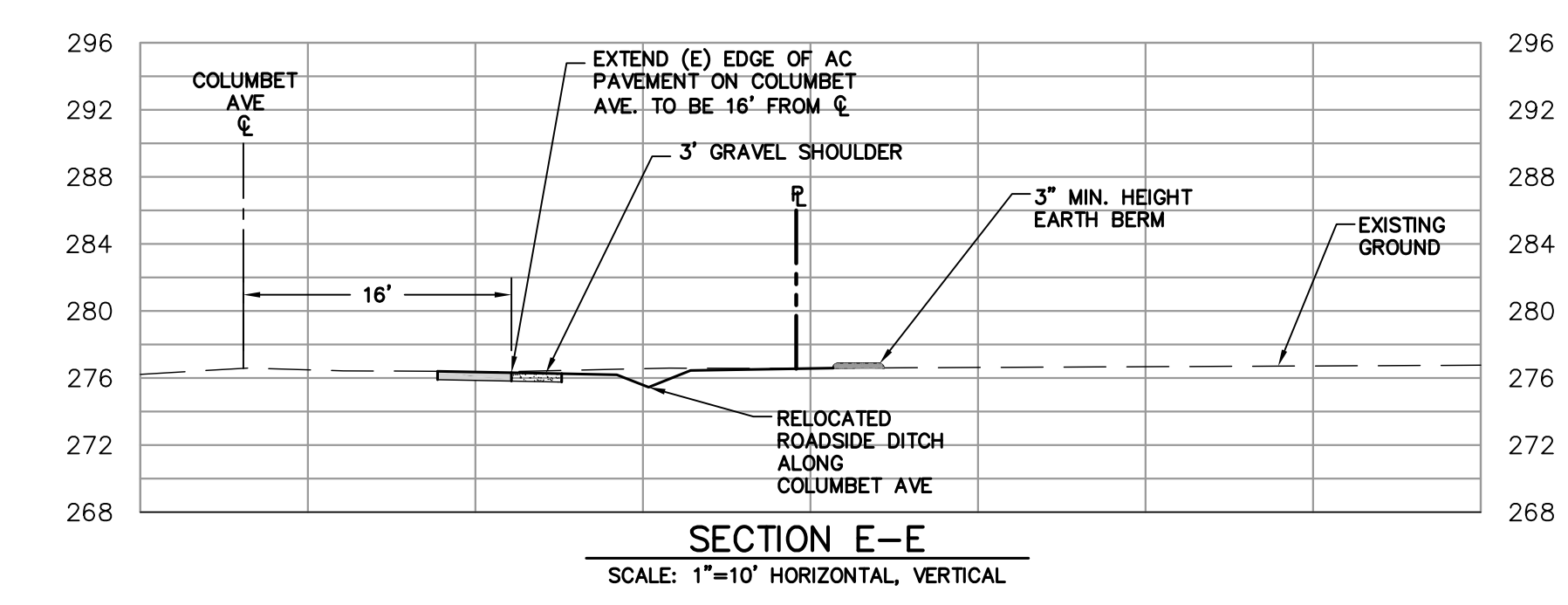
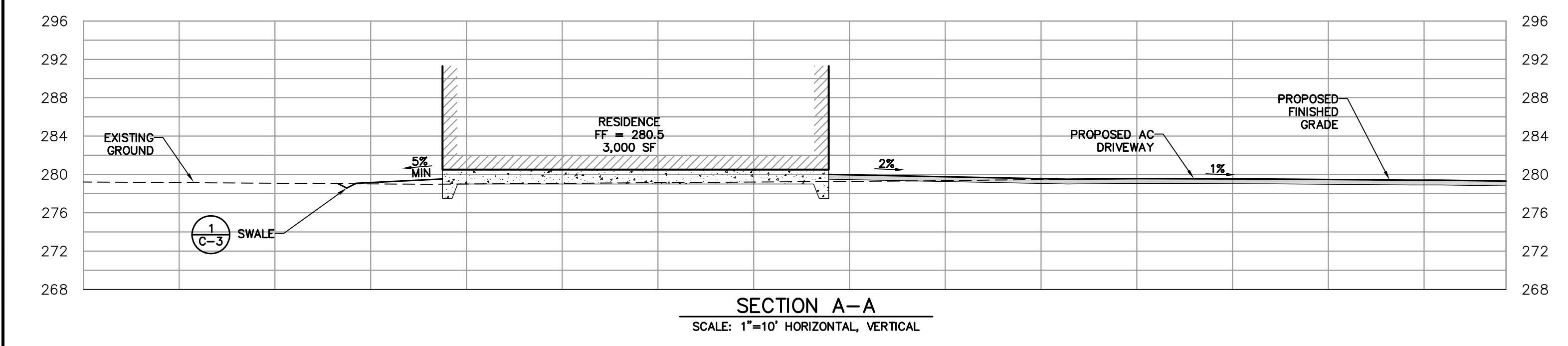
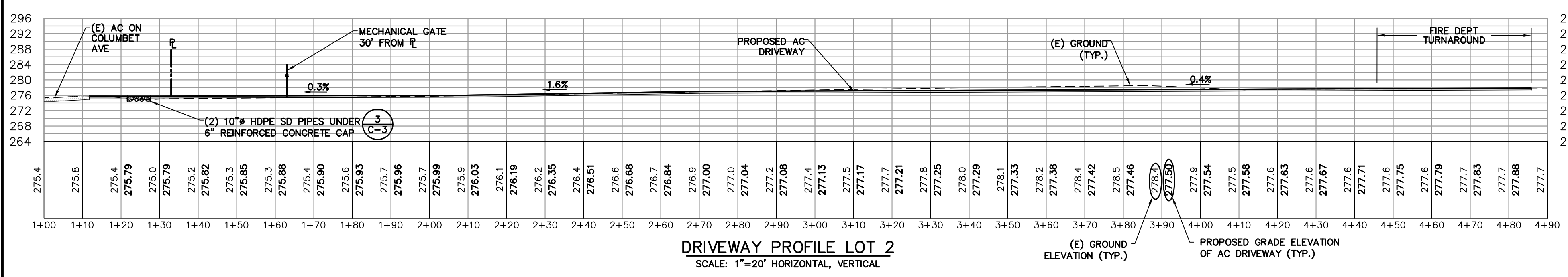
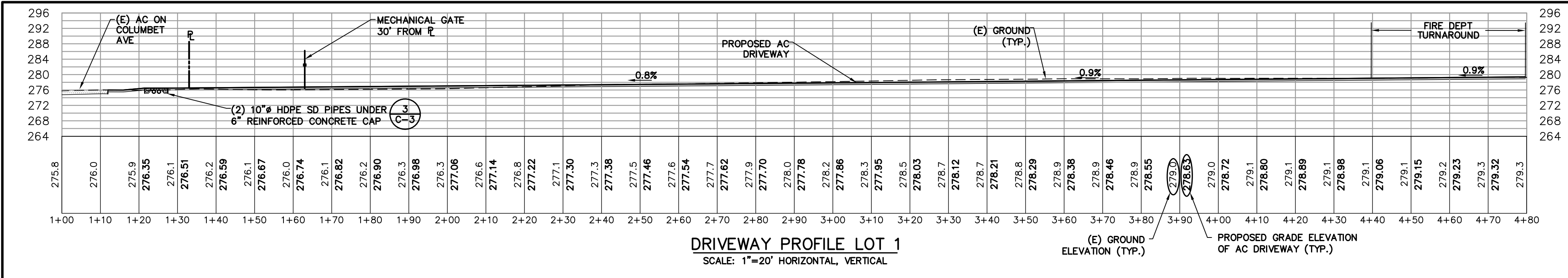
NEW RESIDENCES
 FOR
 MON FONG LIN
 12400 COLUMBETE AVE
 SAN MATEO, CA 95046
 APN # 825-23-011

project no.
19-052-1
 date
JAN 2021
 scale
AS SHOWN
 dwg name
CIVIL1.dwg

C-2



MINOR LAND DIVISION



RESPONSE TO COUNTY COMMENTS 03/31/2020
RESPONSE TO COUNTY COMMENTS 1/4/2021

1/4/2021

R.I. Engineering, Inc.
303 Potrero St., Suite 42-202, Santa Cruz, CA 95060
831-425-3901 www.rengineering.com

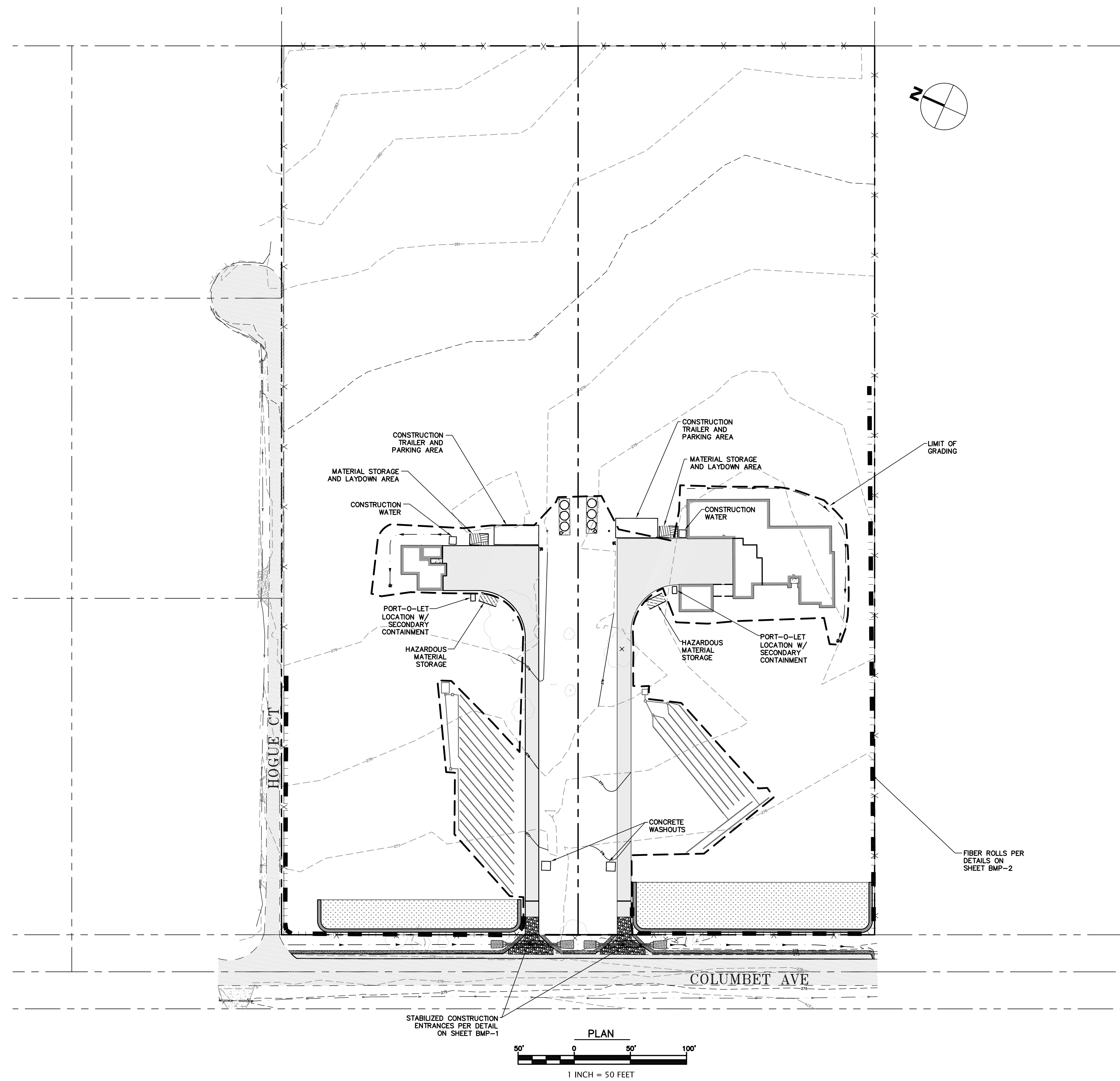
NEW RESIDENCES FOR MON FONG LIN 12400 COLUMBET AVE SAN MATEO, CA 95046 APN # 825-23-011

DETAILS

project no. 19-052-1
date JAN 2021
scale AS SHOWN
dwg name CIVIL1.dwg

C-3

MINOR LAND DIVISION



EROSION CONTROL MEASURES

1. EROSION IS TO BE CONTROLLED AT ALL TIMES ALTHOUGH SPECIFIC MEASURES SHOWN DURING THE PERIOD OF OCTOBER 15TH TO APRIL 15TH, SHOWN MEASURES SHALL BE INSTALLED BY THE TIME OF THE INITIAL "GRADE STAKE" INSPECTION.
2. ALL FILL SLOPES SHALL BE COMPACTED AND LEFT IN A SMOOTH FIRM CONDITION CAPABLE OF WITHSTANDING WEATHERING.
3. ALL DITCHES SHALL BE LINED WITH GRASS OR 4" HAND PLACED COBBLE
4. ALL EXPOSED DISTURBED AREAS SHALL BE SEEDED AT A RATE OF 5# BROME SEED PER 1000 SF SEEDING AND WATERING SHALL BE MAINTAINED TO ENSURE GROWTH.
5. ALL STORM DRAINAGE STRUCTURES SHALL BE INSTALLED WITH EFFECTIVE ENTRANCE AND OUTFALL EROSION CONTROLS, E.G. SACKED CONCRETE RIP-RAP, ENERGY DISSIPATORS SHALL BE INSTALLED AT ALL DITCH OUTFALLS. WHERE OUTFALLS ARE NOT INTO AN EXISTING CREEK OR WATER COURSE RUNOFF SHALL BE RELEASED TO SHEET FLOW
6. PLANTING SHALL BE COMPLETED NOT MORE THAN 90 DAYS AFTER COMPLETION OF GRADING
7. THE DESIRED END RESULT OF THESE MEASURES IS TO CONTROL SITE EROSION AND PREVENT SEDIMENT TRANSPORT OFF THE SITE. IT SHALL BE THE DEVELOPER'S RESPONSIBILITY TO SEE THAT ANY ADDITIONAL MEASURES NECESSARY TO MEET THIS GOAL ARE IMPLEMENTED. IF FAILED INSPECTIONS BY COUNTY STAFF SHOW THIS GOAL IS NOT BEING MET, ADDITIONAL MEASURES MAY BE REQUIRED.
8. GRADING WORK BETWEEN OCTOBER 15 AND APRIL 15 IS AT THE DISCRETION OF THE SANTA CLARA COUNTY BUILDING OFFICIAL.
9. IN ADDITION TO NOTE 4 ABOVE, SLOPES GREATER THAN 15' VERTICAL HEIGHT SHALL BE PLANTED WITH SHRUBS IN 2 1/2" POTS OR LARGER, SPACED AT INTERVALS OF 10' OR LESS ON CENTERS, OR TREES HAVING A ONE GALLON MINIMUM SIZE AT 20' INTERVALS, OR A COMBINATION OF TREES AND SHRUBS AT A SPACING APPROPRIATE TO THE SPECIES. THE PLANS SELECTED AND THE PLANTING METHODS USED SHALL BE SUITABLE FOR THE SOIL AND CLIMATE CONDITIONS OF THE SITE.

EXPOSED SLOPE MEASURES

1. COVER ALL EXPOSED SLOPES
2. STRAW 2 TONS/ACRE ON SLOPES ≤ 20% WITH SOIL BINDER
3. USE NORTH AMERICAN GREEN C125 OR EQUAL ON SLOPES >20%

EROSION CONTROL LEGEND

- INSTALL FIBER ROLL PER DETAILS THIS SHEET
- INSTALL CATCH BASIN PROTECTION PER DETAIL THIS SHEET
- INSTALL STABILIZED CONSTRUCTION ENTRANCE PER DETAIL THIS SHEET
- PROPOSED SLOPE PROTECTION
- PROPOSED HAZARDOUS MATERIAL STORAGE AREA
- PROPOSED STORAGE AND LAYDOWN AREA
- PROPOSED SILT FENCE

RESPONSE TO COUNTY COMMENTS 03/31/2020

RESPONSE TO COUNTY COMMENTS 1/4/2021



1/4/2021



R.I. Engineering, Inc.

303 Potrero St., Suite 42-202, Santa Cruz, CA 95060
831-425-3901 www.riengineering.com

NEW RESIDENCES
FOR
MON FONG LIN
12400 COLUMBET AVE
SAN MARTIN, CA 95046
APN # 825-23-011

EROSION CONTROL PLAN

project no.
19-052-1

date
JAN 2021

scale
AS SHOWN

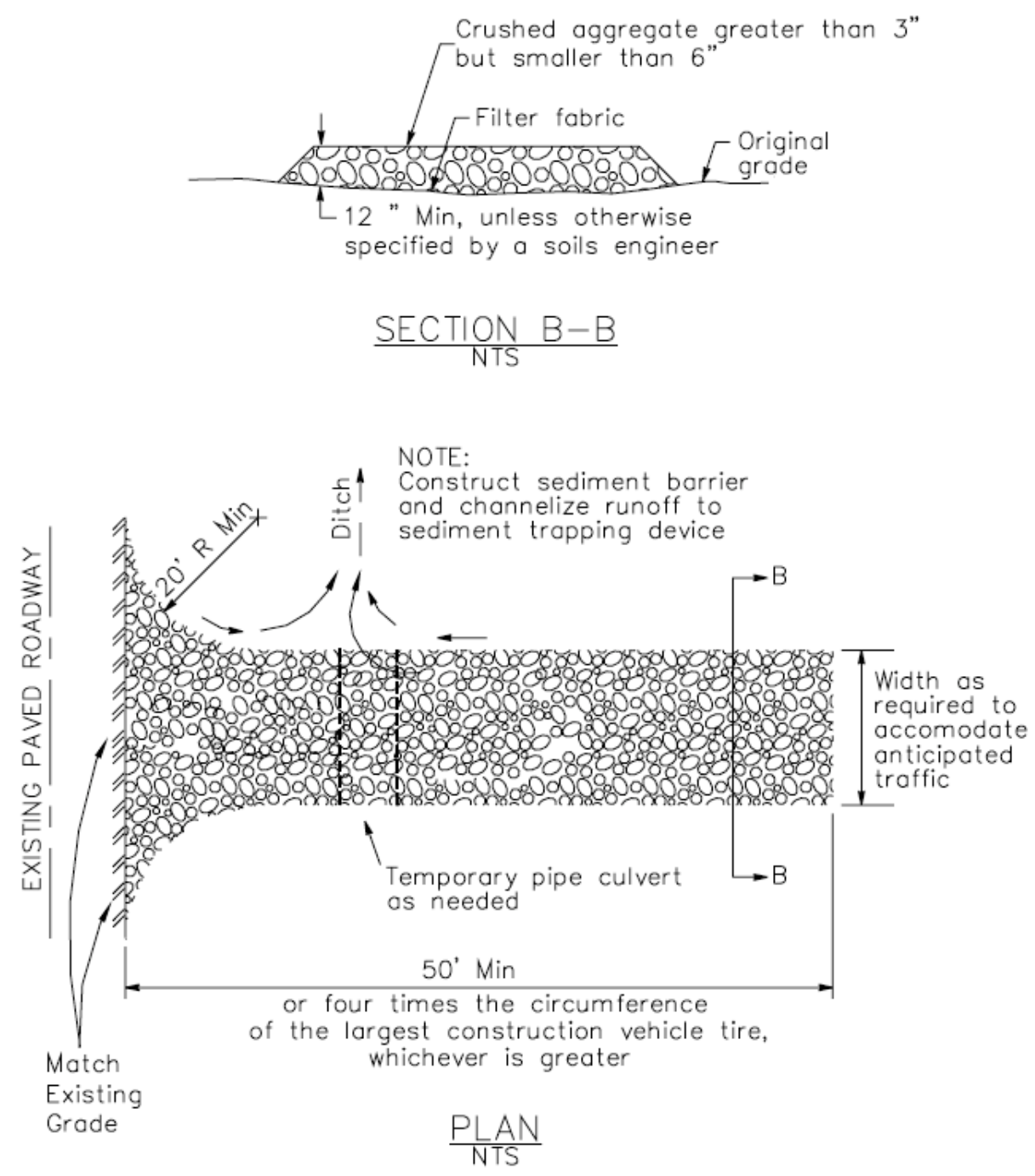
dwg name
CIVIL1.dwg

C-4

MINOR LAND DIVISION

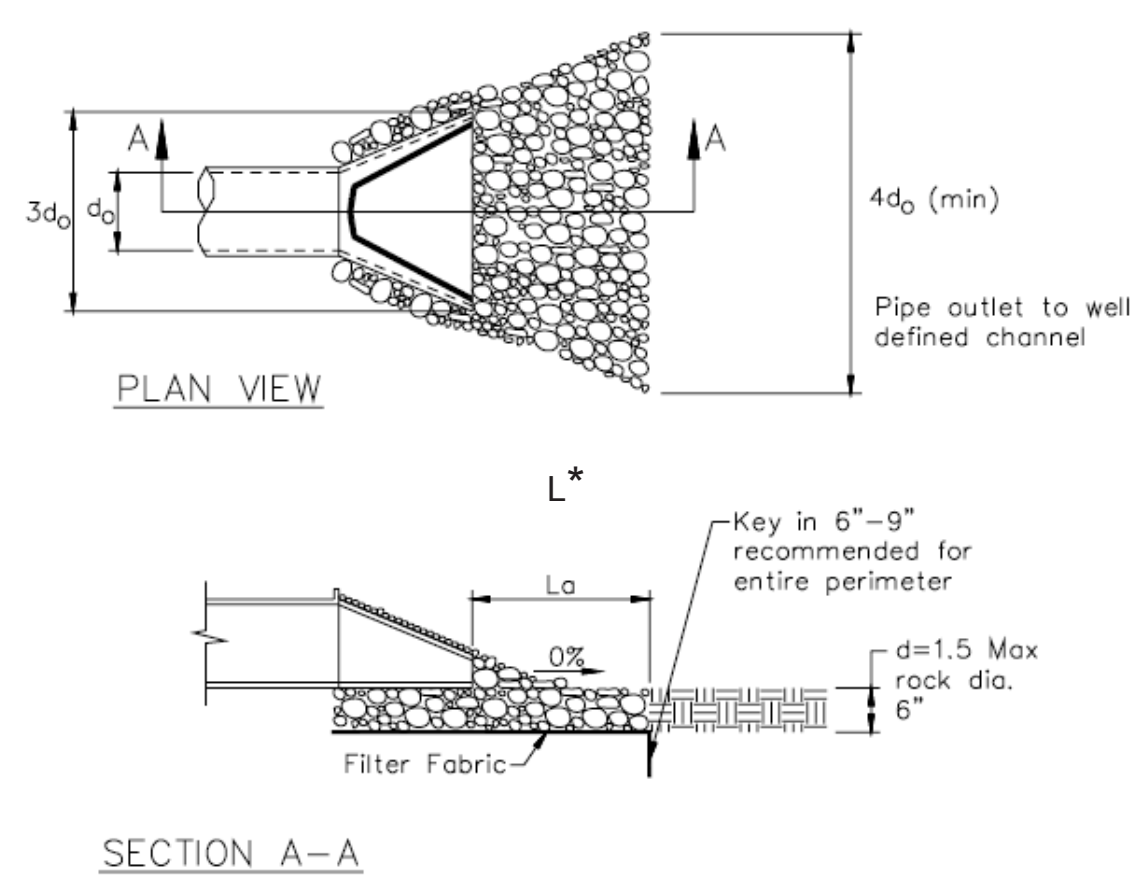
3 Stabilized Construction Entrance/Exit

CASQA Detail TC-1



4 Velocity Dissipation Devices

CASQA Detail EC-10

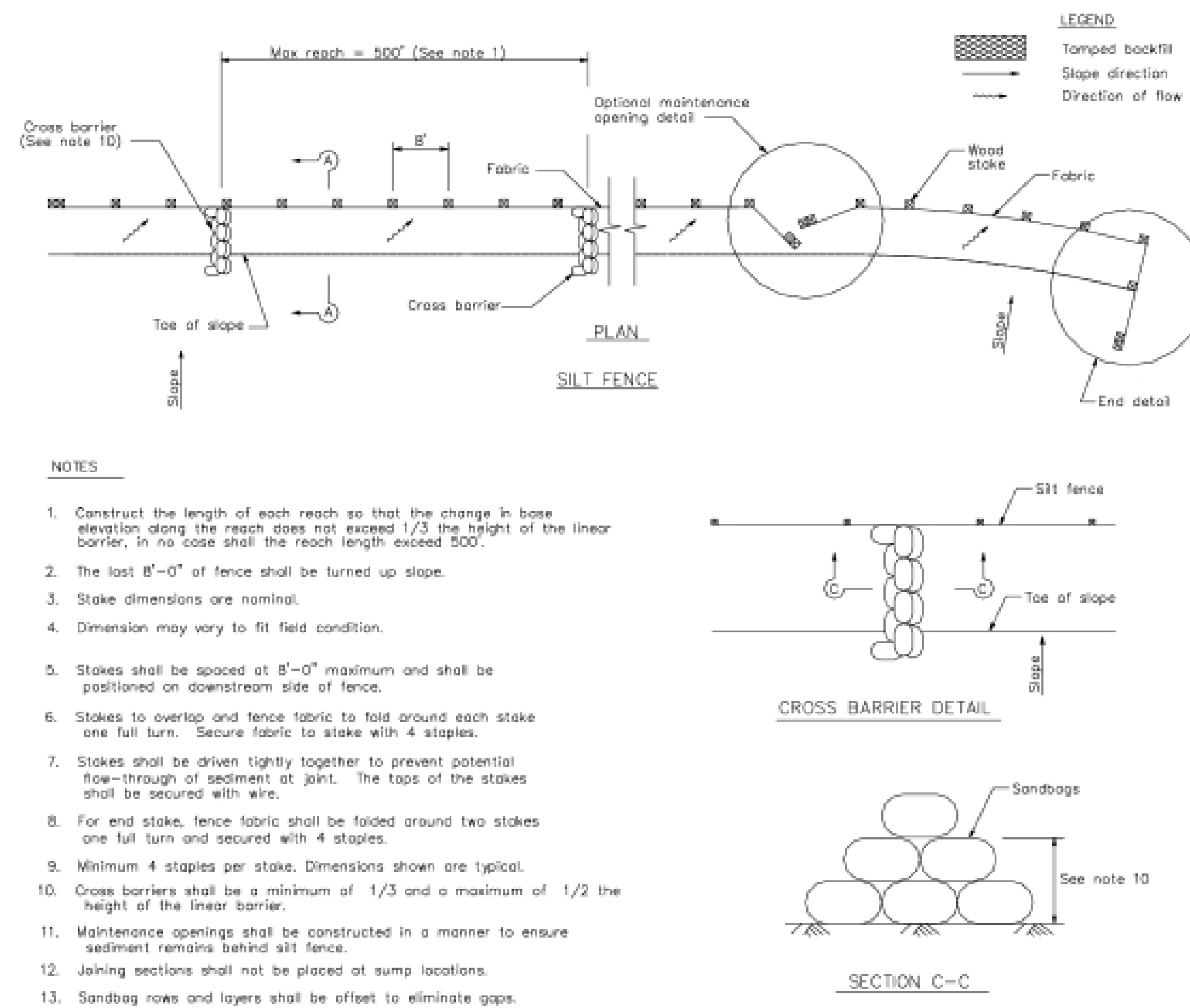


* Length per ABAG Design Standards

Source for Graphics: California Stormwater BMP Handbook, California Stormwater Quality Association, January 2003. Available from www.cabmphandbooks.com.

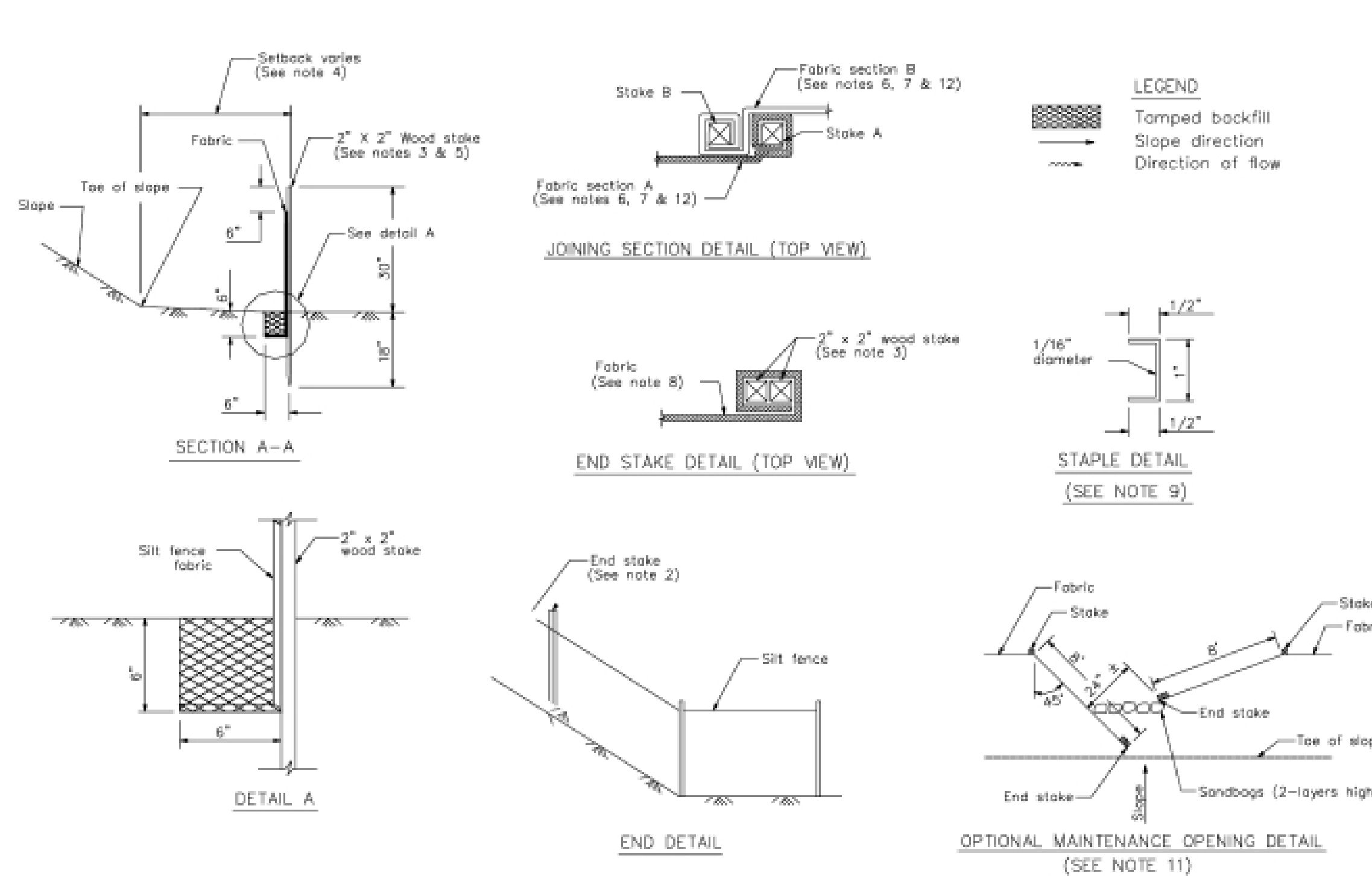
1 Silt Fence

CASQA Detail SE-1



2 Silt Fence

CASQA Detail SE-1



STANDARD BEST MANAGEMENT PRACTICE NOTES

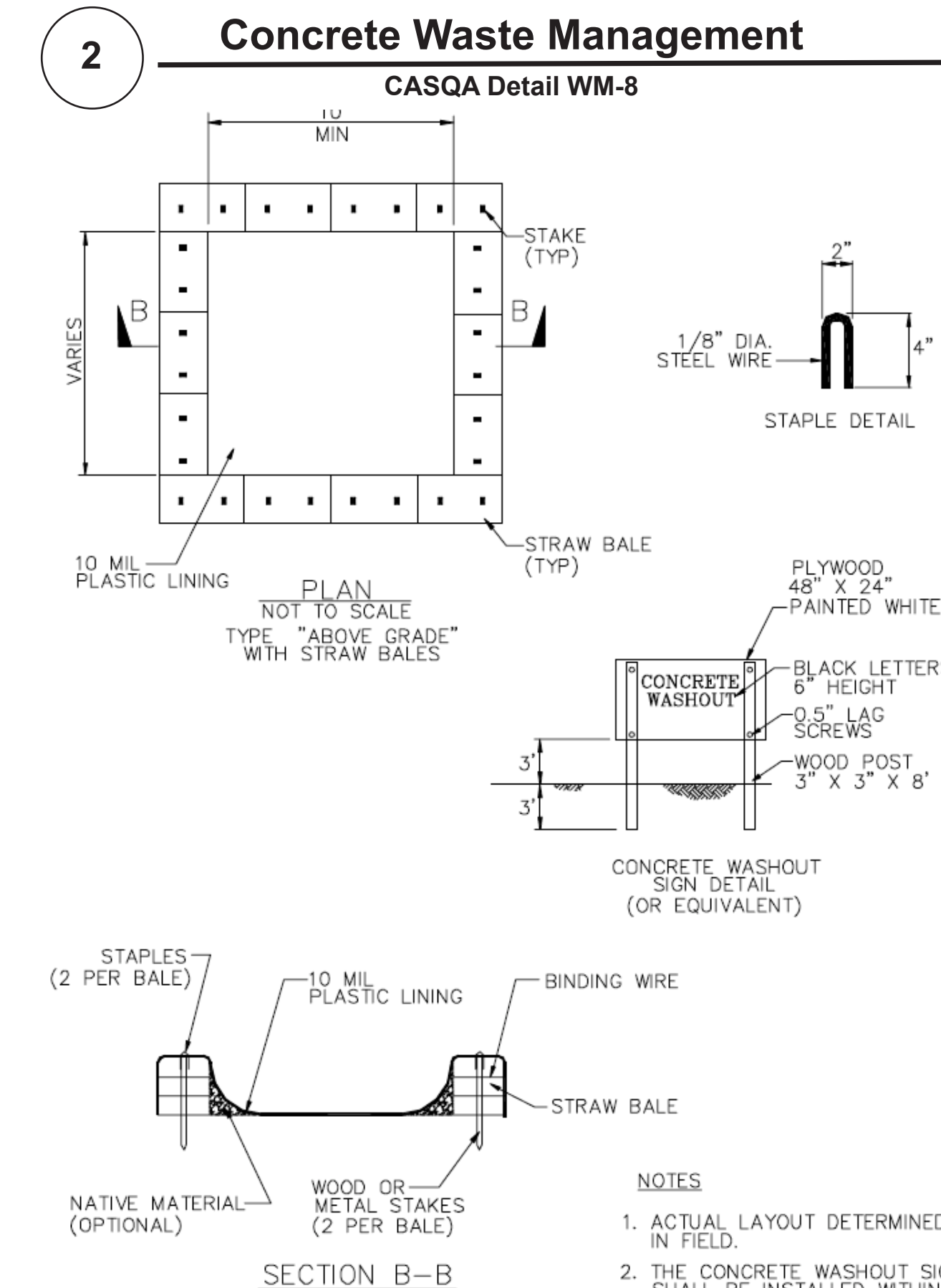
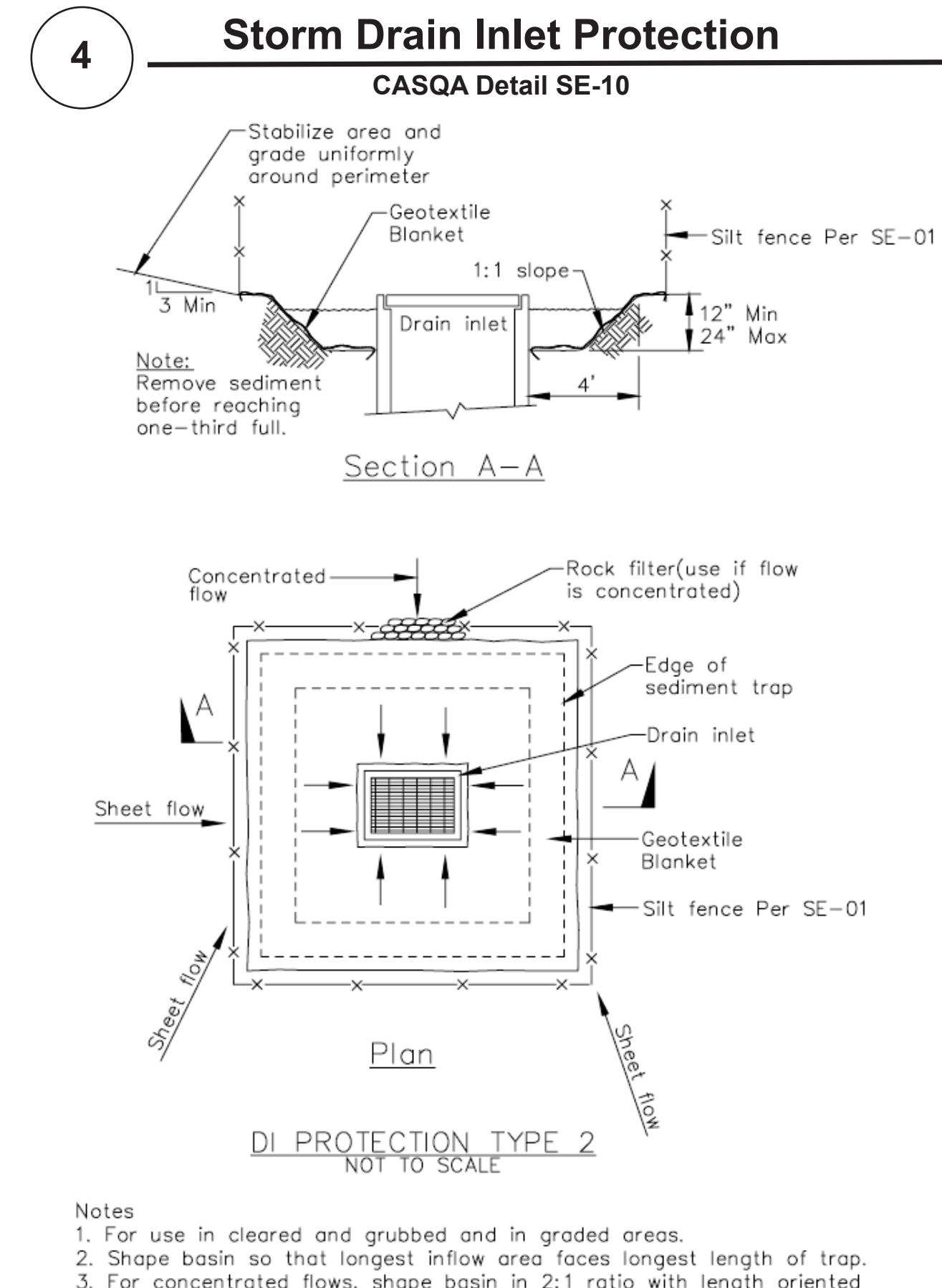
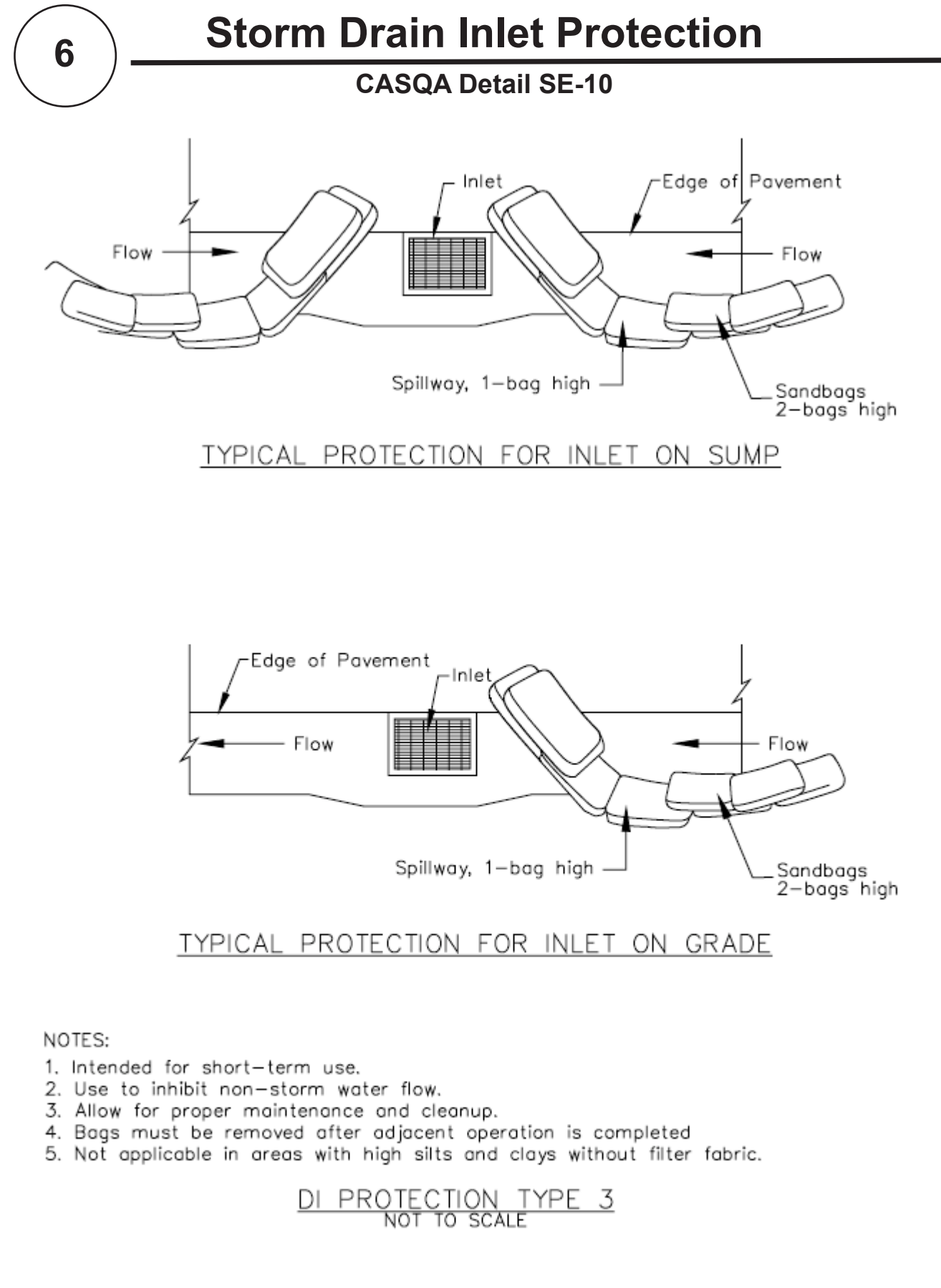
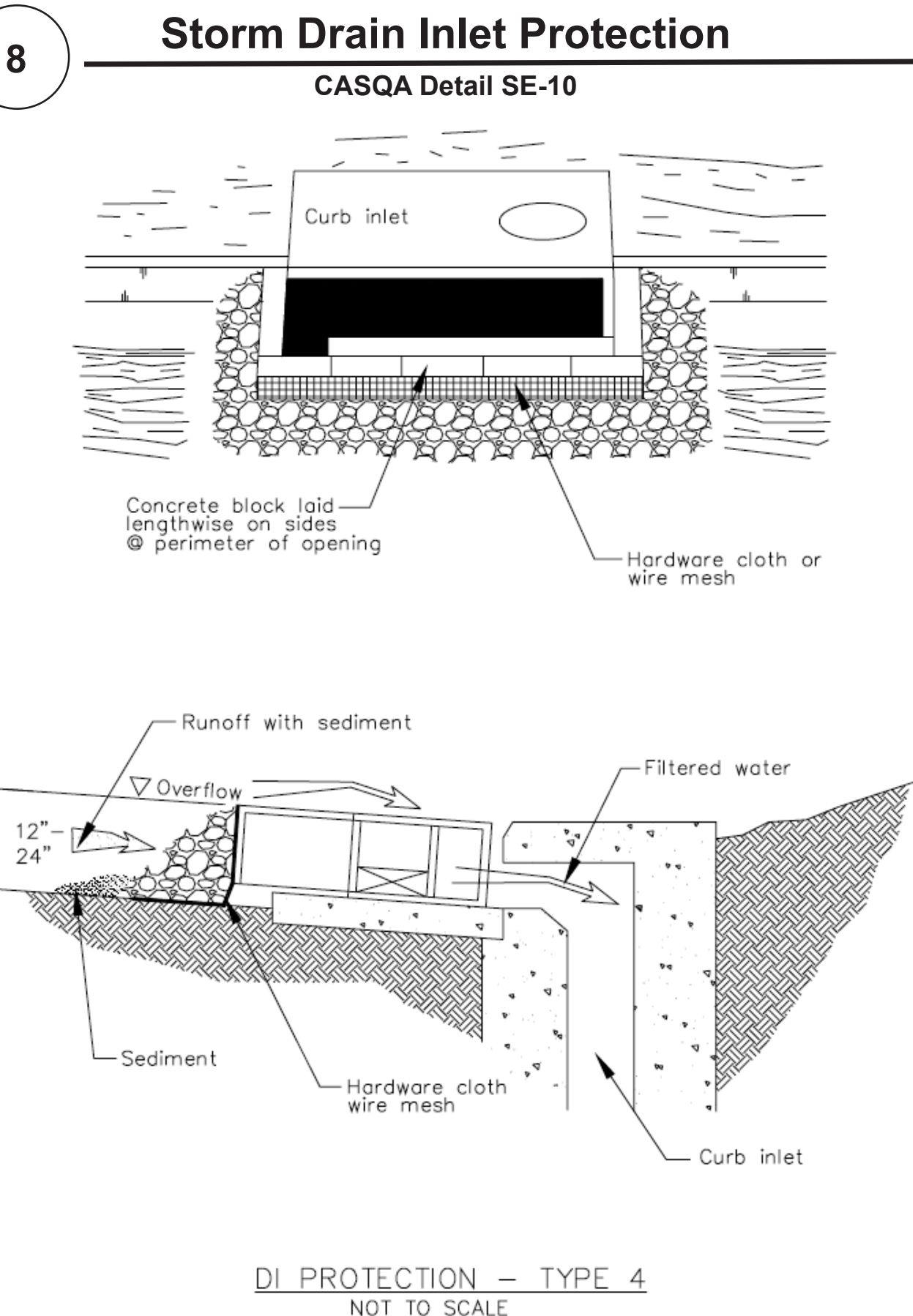
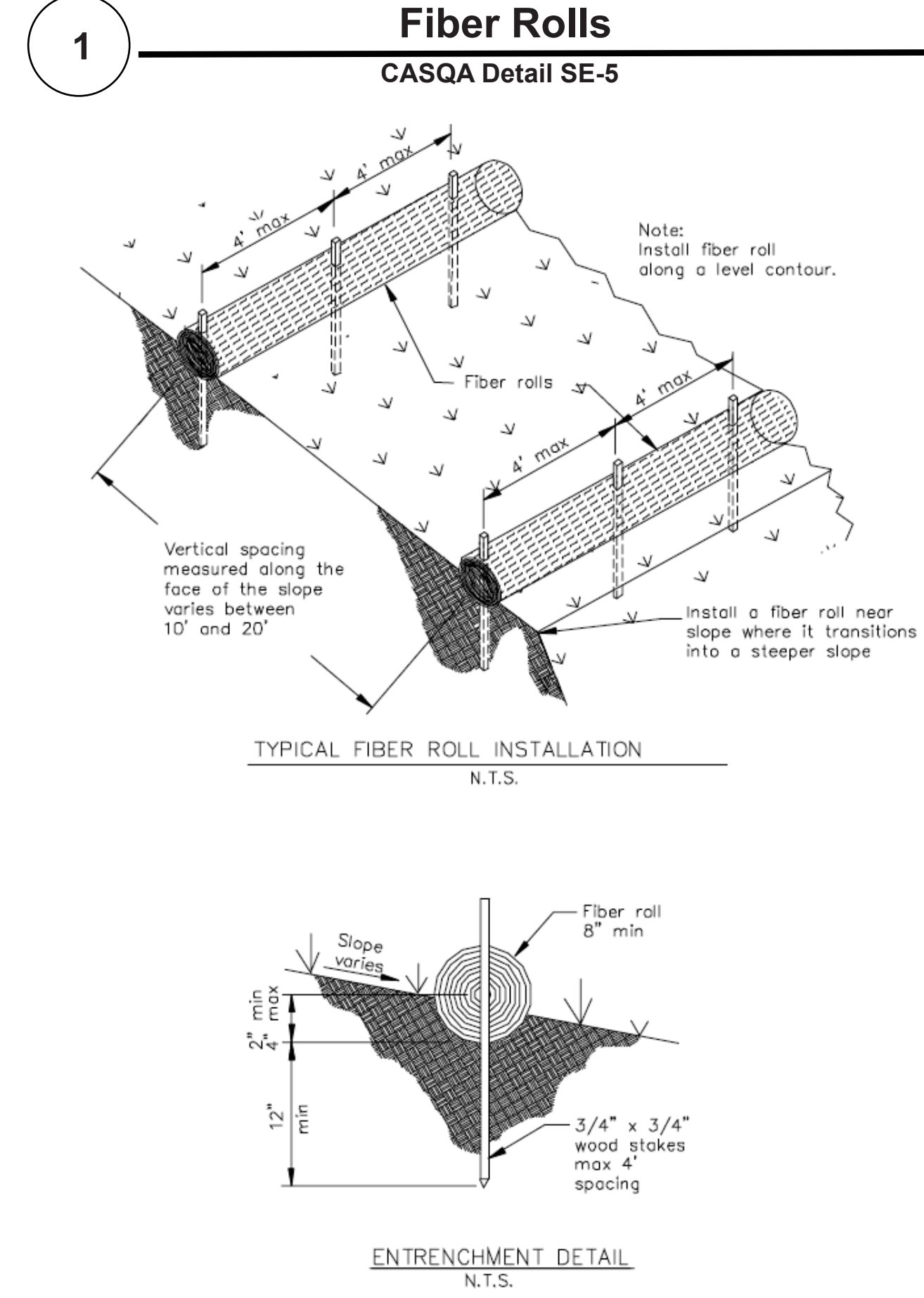
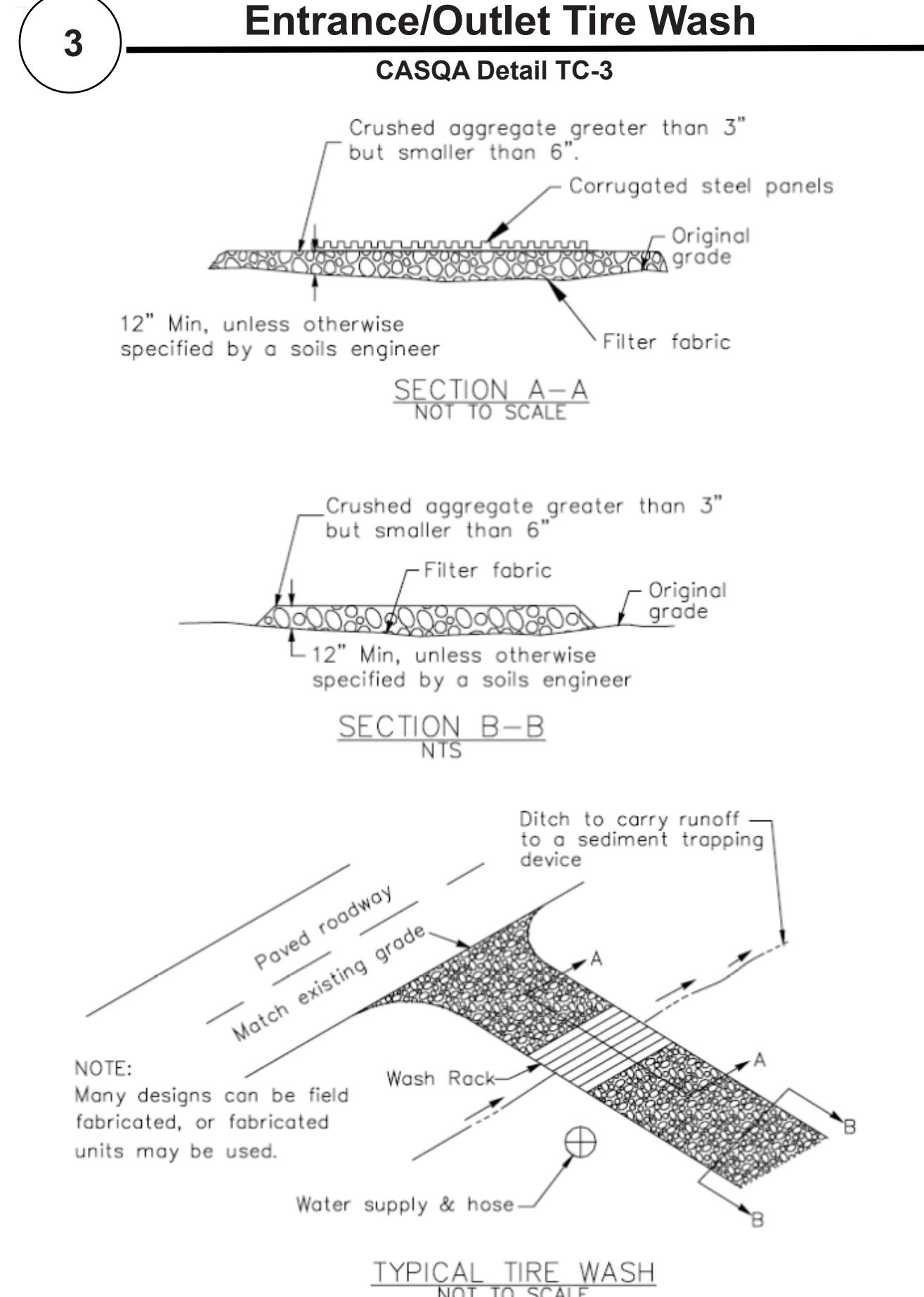
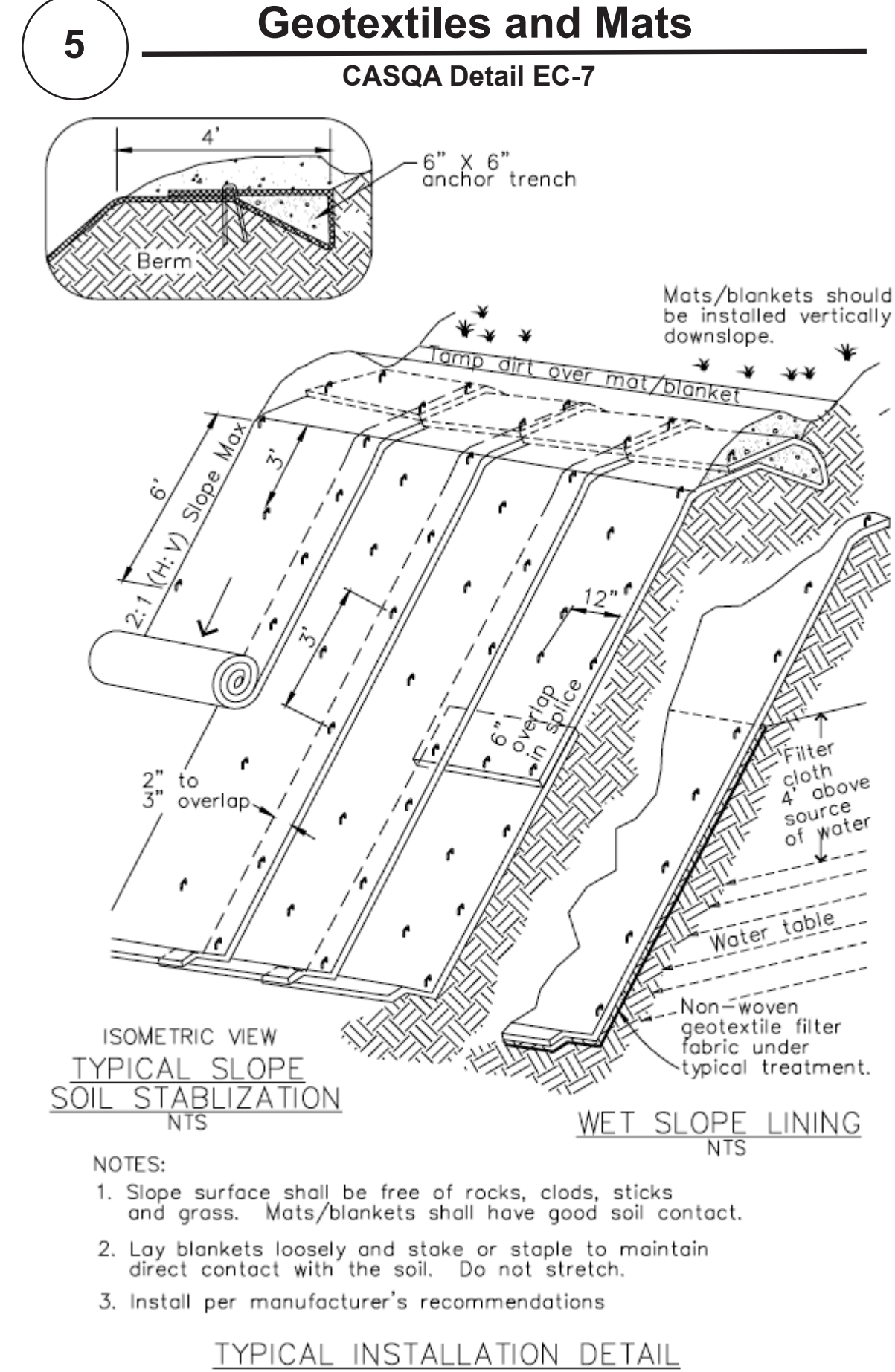
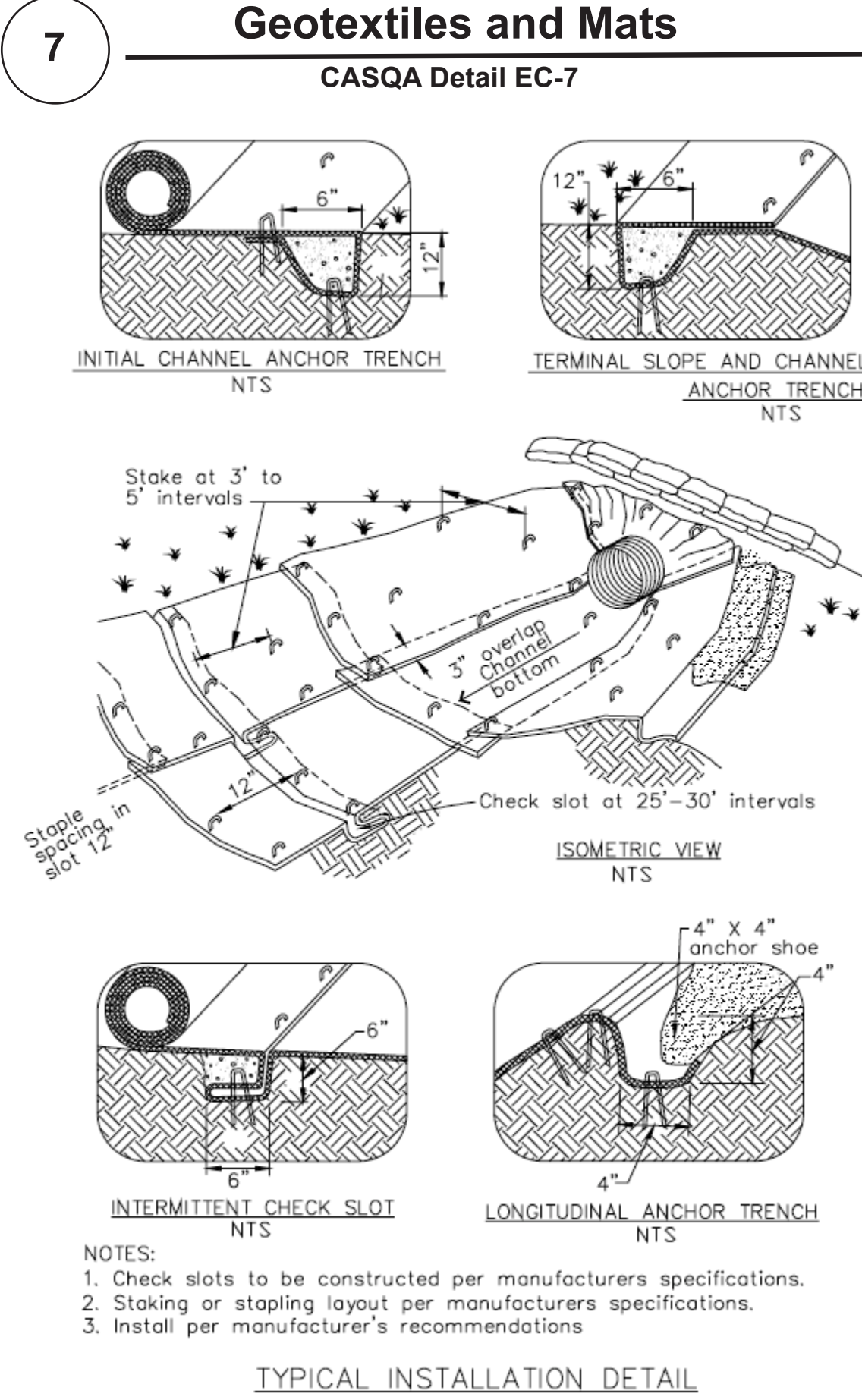
- Solid and Demolition Waste Management:** Provide designated waste collection areas and containers on site away from streets, gutters, storm drains, and waterways, and arrange for regular disposal. Waste containers must be watertight and covered at all times except when waste is deposited. Refer to Erosion & Sediment Control Field Manual, 4th Edition (page C3) or latest.
- Hazardous Waste Management:** Provide proper handling and disposal of hazardous wastes by a licensed hazardous waste material hauler. Hazardous wastes shall be stored and properly labeled in sealed containers constructed of suitable materials. Refer to Erosion & Sediment Control Field Manual, 4th Edition (pages C-5 to C-6) or latest.
- Spill Prevention and Control:** Provide proper storage areas for liquid and solid materials, including chemicals and hazardous substances, away from streets, gutters, storm drains, and waterways. Spill control materials must be kept on site where readily accessible. Spills must be cleaned up immediately and contaminated soil disposed properly. Refer to Erosion & Sediment Control Field Manual, 4th Edition (pages C-7 to C-8, C-13 to C-14) or latest.
- Vehicle and Construction Equipment Service and Storage:** An area shall be designated for the maintenance, where on-site maintenance is required, and storage of equipment that is protected from stormwater run-on and runoff. Measures shall be provided to capture any waste oils, lubricants, or other potential pollutants and these wastes shall be properly disposed of off site. Fueling and major maintenance/repair, and washing shall be conducted off-site whenever feasible. Refer to Erosion & Sediment Control Field Manual, 4th Edition (page C9) or latest.
- Material Delivery, Handling and Storage:** In general, materials should not be stockpiled on site. Where temporary stockpiles are necessary and approved by the County, they shall be covered with secured plastic sheeting or tarp and located in designated areas near construction entrances and away from drainage paths and waterways. Barriers shall be provided around storage areas where materials are potentially in contact with runoff. Refer to Erosion & Sediment Control Field Manual, 4th Edition (pages C-11 to C-12) or latest.
- Handling and Disposal of Concrete and Cement:** When concrete trucks and equipment are washed on-site, concrete wastewater shall be contained in designated containers or in a temporary lined and watertight pit where wasted concrete can harden for later removal. If possible have concrete contractor remove concrete wash water from site. In no case shall fresh concrete be washed into the road right-of-way. Refer to Erosion & Sediment Control Field Manual, 4th Edition (pages C-15 to C-16) or latest.
- Pavement Construction Management:** Prevent or reduce the discharge of pollutants from paving operations, using measures to prevent run-on and runoff pollution and properly disposing of wastes. Avoid paving in the wet season and reschedule paving when rain is in the forecast. Residue from saw-cutting shall be vacuumed for proper disposal. Refer to Erosion & Sediment Control Field Manual, 4th Edition (pages C-17 to C-18) or latest.
- Contaminated Soil and Water Management:** Inspections to identify contaminated soils should occur prior to construction and at regular intervals during construction. Remediating contaminated soil should occur promptly after identification and be specific to the contaminant identified, which may include hazardous waste removal. Refer to Erosion & Sediment Control Field Manual, 4th Edition (pages C-19 to C-20) or latest.
- Sanitary/Septic Water Management:** Temporary sanitary facilities should be located away from drainage paths, waterways, and traffic areas. Only licensed sanitary and septic waste haulers should be used. Secondary containment should be provided for all sanitary facilities. Refer to Erosion & Sediment Control Field Manual, 4th Edition (page C-21) or latest.
- Inspection & Maintenance:** Areas of material and equipment storage sites and temporary sanitary facilities must be inspected weekly. Problem areas shall be identified and appropriate additional and/or alternative control measures implemented immediately, within 24 hours of the problem being identified.

STANDARD EROSION CONTROL NOTES

- Sediment Control Management:**
 - Tracking Prevention & Clean Up:** Activities shall be organized and measures taken as needed to prevent or minimize tracking of soil onto the public street system. A gravel or proprietary device construction entrance/exit is required for all sites. Clean up of tracked material shall be provided by means of a street sweeper prior to an approaching rain event, or at least once at the end of each workday that material is tracked, or, more frequently as determined by the County Inspector. Refer to Erosion & Sediment Control Field Manual, 4th Edition (pages B-31 to B-33) or latest.
 - Storm Drain Inlet and Catch Basin Inlet Protection:** All inlets within the vicinity of the project and within the project limits shall be protected with gravel bags placed around inlets or other inlet protection. At locations where exposed soils are present, staked fiber rolls or staked silt fences can be used. Inlet filters are not allowed due to clogging and subsequent flooding. Refer to Erosion & Sediment Control Field Manual, 4th Edition (pages B-49 to B-51) or latest.
 - Storm Water Runoff:** No storm water runoff shall be allowed to drain in to the existing and/or proposed underground storm drain system or other above ground watercourses until appropriate erosion control measures are fully installed.
 - Dust Control:** The contractor shall provide dust control in graded areas as required by providing wet suppression or chemical stabilization of exposed soils, providing for rapid clean up of sediments deposited on paved roads, furnishing construction road entrances and vehicle wash down areas, and limiting the amount of areas disturbed by clearing and earth moving operations by scheduling these activities in phases.
 - Stockpiling:** Excavated soils shall not be placed in streets or on paved areas. Borrow and temporary stockpiles shall be protected with appropriate erosion control measures (tarps, straw bales, silt fences, etc.) to ensure silt does not leave the site or enter the storm drain system or neighboring watercourse.
- Erosion Control:** During the rainy season, all disturbed areas must include an effective combination of erosion and sediment control. It is required that temporary erosion control measures are applied to all disturbed soil areas prior to a rain event. During the non-rainy season, erosion control measures must be applied sufficient to control wind erosion at the site.
- Inspection & Maintenance:** Disturbed areas of the Project's site, locations where vehicles enter or exit the site, and all erosion and sediment controls that are identified as part of the Erosion Control Plans must be inspected by the Contractor before, during, and after storm events, and at least weekly during seasonal wet periods. Problem areas shall be identified and appropriate additional and/or alternative control measures implemented immediately, within 24 hours of the problem being identified.
- Project Completion:** Prior to project completion and signoff by the County Inspector, all disturbed areas shall be reseeded, planted, or landscaped to minimize the potential for erosion on the subject site.
- It shall be the Owner's/Contractor's responsibility to maintain control of the entire construction operation and to keep the entire site in compliance with the erosion control plan.
- Erosion and sediment control best management practices shall be operable year round or until vegetation is fully established on landscaped surfaces.

Project Information
NEW RESIDENCES
FOR
MON FONG LIN
12400 COLUMBET AVE., SAN MARTIN, CA 95046
APN: 825-23-011
PROJECT #19-052-1





Source for Graphics: California Stormwater BMP Handbook, California Stormwater Quality Association, January 2003. Available from www.cabmphandbooks.com.

Project Information
NEW RESIDENCES
FOR
MON FONG LIN
12400 COLUMBET AVE., SAN MARTIN, CA 95046
APN: 825-23-011
PROJECT #19-052-1

