

BASIS OF BEARINGS

THE WESTERLY RIGHT OF WAY LINE OF SYCAMORE AVENUE AS FOUND MONUMENTED AND SHOWN AS N 23°08'20" W UPON THAT RECORD OF SURVEY FILED IN BOOK 392 OF MAPS AT PAGE 22, SANTA CLARA COUNTY RECORDS, ROTATED COUNTER-CLOCKWISE 00°40'40" AND SHOWN HEREON AS N 23°49'00" W, WAS USED AS THE BASIS OF ALL BEARINGS SHOWN UPON THIS HEREON MAP.

REFERENCED RECORD DOCUMENTS

- R1 RECORD DATA PER PARCEL MAP, 638-M-17&18
- R2 RECORD DATA PER PARCEL MAP, 361-M-30
- R3 RECORD DATA PER PARCEL MAP, 343-M-50
- R4 RECORD DATA PER RECORD OF SURVEY, 484-M-26
- R5 RECORD DATA PER RECORD OF SURVEY, 595-M-18
- R6 RECORD DATA PER PARCEL MAP, 392-M-22
- R7 RECORD DATA PER 8964 O.R. 70, S.C.C.R.
- R8 RECORD DATA PER M034 O.R. 323 S.C.C.R.
- R9 RECORD DATA PER CA. STATE HIGHWAY MONUMENT MAP 4-SCL-101-P.M.12.6 / S-169.19

LEGEND

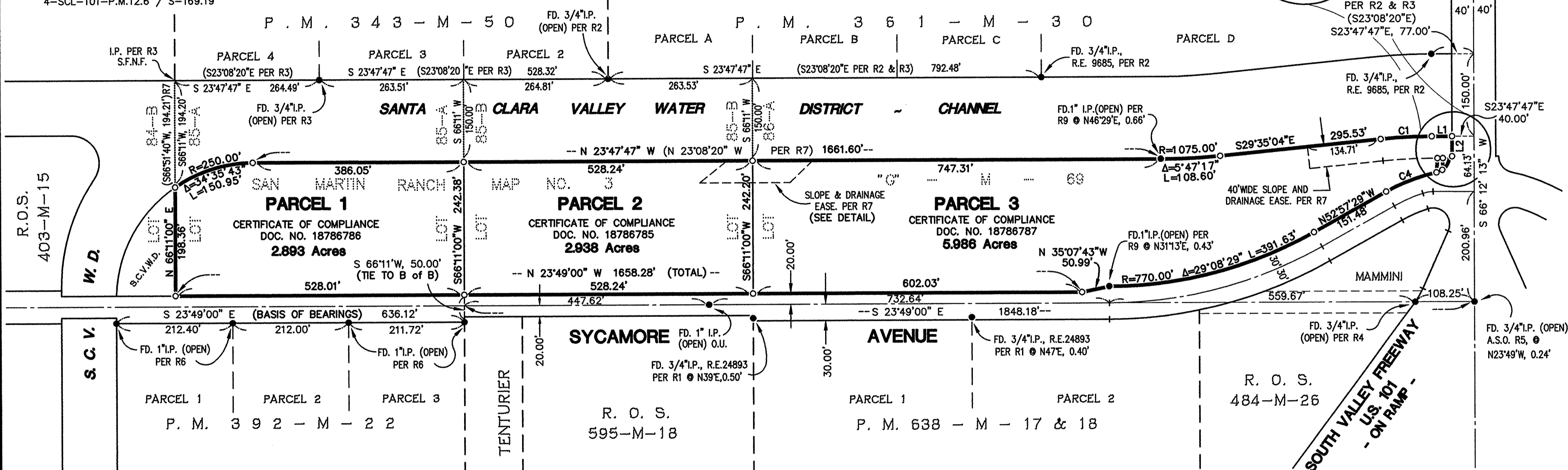
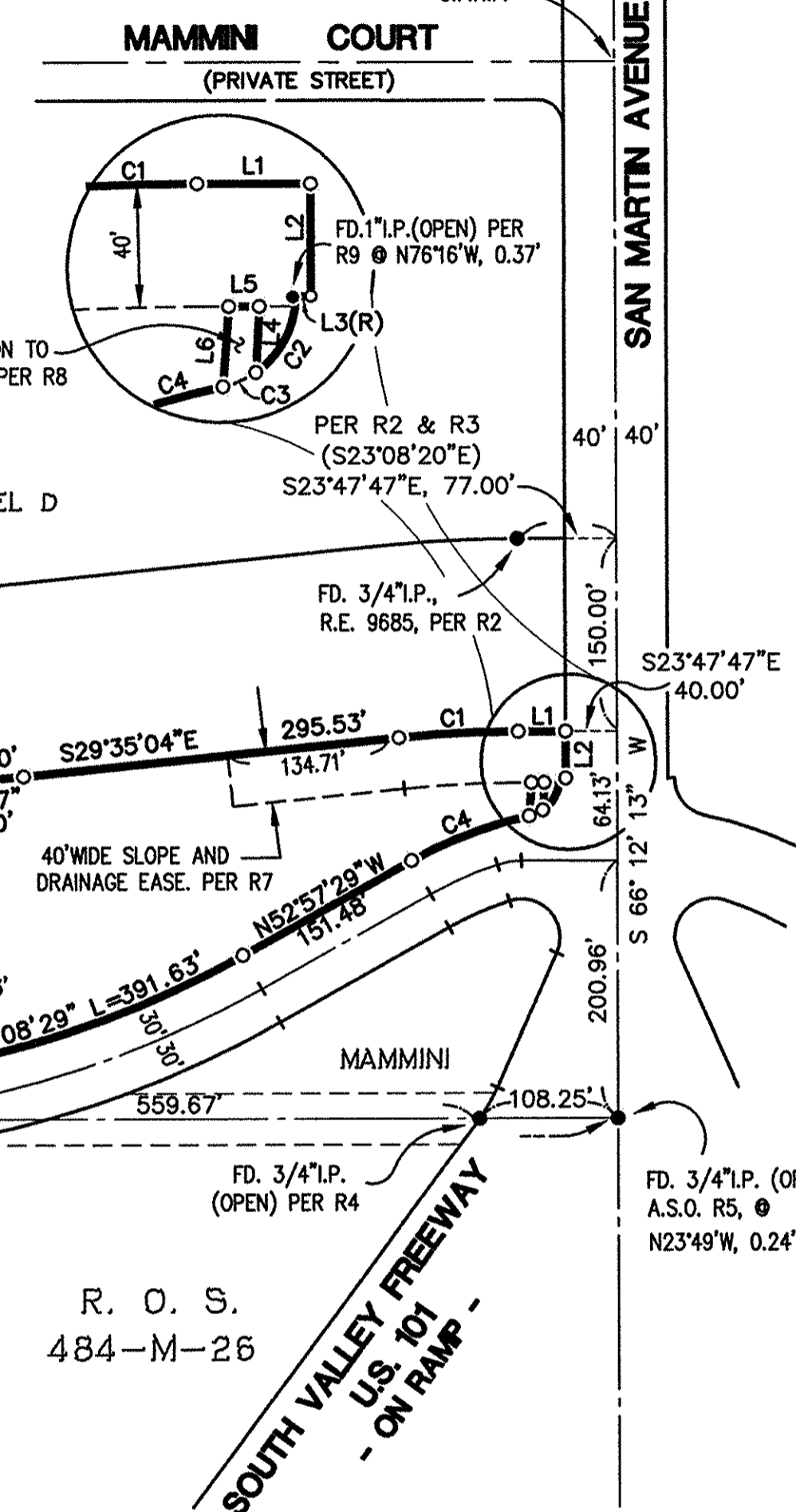
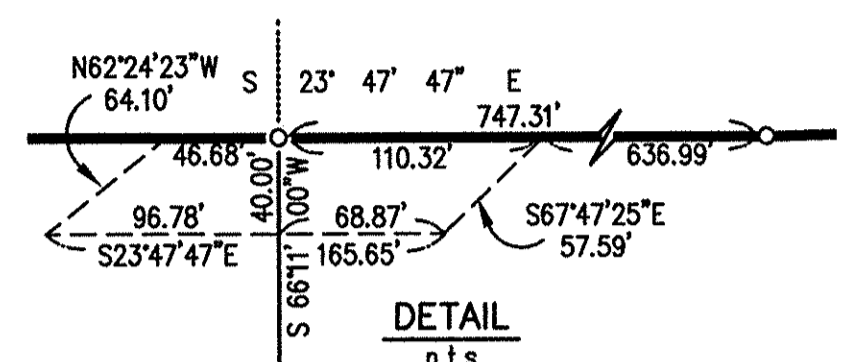
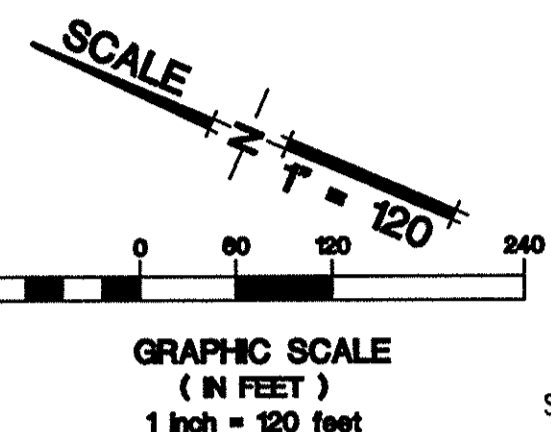
- A.S.O. AS SHOWN ON
- U.O. UNKNOWN ORIGIN
- S.F.N.F. SEARCHED FOR, NOT FOUND
- DOC. DOCUMENT
- (R) DENOTES RADIAL
- () DENOTES RECORD DATA
- FD. I.P. FOUND IRON PIPE
- MON MONUMENT
- FOUND MONUMENT AS NOTED
- SET 3/4" I.P., TAGGED R.C.E. 24893
- BOUNDARY OF RECORD OF SURVEY
- CENTERLINE

LINE TABLE

LINE	BEARING	LENGTH
L1	N23°47'47"W	37.00
L2	N66°12'13"E	36.64
L3	N23°49'00"W	5.04
L4	N69°30'35"E	21.42
L5	N23°47'47"W	10.00
L6	N70°30'35"E	26.06

CURVE TABLE

CURVE	RADIUS	DELTA	LENGTH
C1	925.00	5°47'17"	93.44
C2	30.00	55°33'16"	29.09
C3	30.00	22°25'15"	11.74
C4	330.00	17°07'00"	98.58



NOTE

THIS SURVEY HAS BEEN PREPARED IN COMPLIANCE WITH ARTICLE 5, SECTION 8762(b)(5) OF THE STATE OF CALIFORNIA BUSINESS AND PROFESSIONS CODE (PROFESSIONAL LAND SURVEYORS' ACT)

SURVEYOR'S STATEMENT

THIS MAP CORRECTLY REPRESENTS A SURVEY MADE BY ME OR UNDER MY DIRECTION IN CONFORMANCE WITH THE REQUIREMENTS OF THE PROFESSIONAL LAND SURVEYORS' ACT AT THE REQUEST OF JOHN M. POWELL DURING MARCH, 2005.

William J. McClintock, R.C.E. 24893
 EXPIRES 12/31/2007

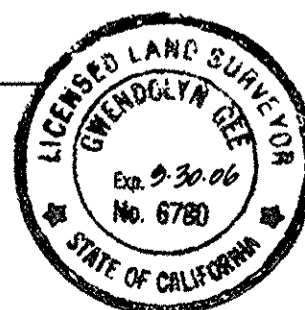


DATE 9.15.06

COUNTY SURVEYOR'S STATEMENT

THIS MAP HAS BEEN EXAMINED IN ACCORDANCE WITH SECTION 8766 OF THE PROFESSIONAL LAND SURVEYORS' ACT THIS 26th DAY OF SEPTEMBER, 2006.

GWENDOLYN GEE, COUNTY SURVEYOR
 L.S. 6780, EXPIRATION DATE 9/30/06



RECORDER'S STATEMENT

FILED THIS 27 DAY OF September, 2006, 2006, AT 1:20 PM. IN BOOK 806 OF MAPS, AT PAGE 39 AT THE REQUEST OF M.H. ENGINEERING CO.

FILE NO. 19121304
 FEE \$8.00

BRENDA DAVIS, COUNTY RECORDER

BY: Catalina M. Cabagbag
 DEPUTY

217-72-31
 217-72-32
 217-73-31
 COUNTY GRID NO. 217-73-32

RECORD OF SURVEY

BEING ALL OF THOSE PARCELS DESCRIBED AND DELINEATED IN THOSE CERTIFICATES OF COMPLIANCE RECORDED JANUARY 27, 2006 IN DOCUMENT NO'S. 18786785, 18786786 AND 18786787, SANTA CLARA COUNTY OFFICIAL RECORDS.

AND LYING WITHIN THE UNINCORPORATED AREA OF COUNTY OF SANTA CLARA STATE OF CALIFORNIA
 AUGUST 2006

MH engineering Co.
 16075 Vineyard Boulevard
 Morgan Hill, CA 95037
 24137

19121304

39

L:\Project\2002\24137\Map\24137res.dwg 09/12/2006 12:14:26 PM PDT