

Applicant/Owner:
 Mark & Maria Carroll
 10511 Korn Lane
 Gilroy, CA 95020
 mark-carroll@aol.com
 408.605.5870

Engineer:
 David L. Faria, PE 92432
 MH Engineering
 16075 Vineyard Blvd.
 Morgan Hill, CA 95037
 408.779.7381
 davidf@mhengineering.com

Project Information:

APN:	835-08-059
Present Use:	Vacant
Proposed Use:	Residential
Present Zoning:	A-20ac
Existing Improvements:	As Shown
Water:	Proposed Shared Well
Sanitary Sewer:	Proposed OWTS
Gas & Electric:	PG&E
Fire Responsibility Area:	LRA
Wildland Urban Interface:	N/A
HCP Area:	Rural Development Not Covered
Hazard Zone(s):	N/A
Gross Area:	0.75 ac
Net Area:	0.75 ac

Boundary Note:
 Property lines shown on this plan are based on that certain Record of Survey, which was filed for record in the office of the county recorder of the county of Santa Clara, State of California, on August 6, 1985, in Book 547 of Maps, at Page 17.

Flood Zone:
 Both properties lie wholly in Zone D (100%), per FEMA Firm Panel 06085C0637H, effective May 18, 2009.

Basis of Bearings:
 The bearing of S 23°11'18" W of the centerline of Korn Lane per that certain Record of Survey, filed for record on August 6, 1985, in Book 547 of Maps, at Page 17, Santa Clara County Recorder's Office.

Benchmark:
 Elevations shown on this plan are based on the top of a 3/4" iron pipe RCE 24893 located at the northernmost property corner of the property. Elevation: 231.45'

Fire Notes:

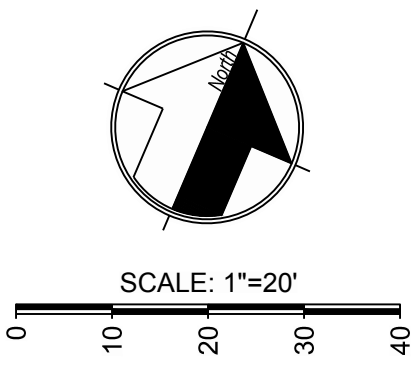
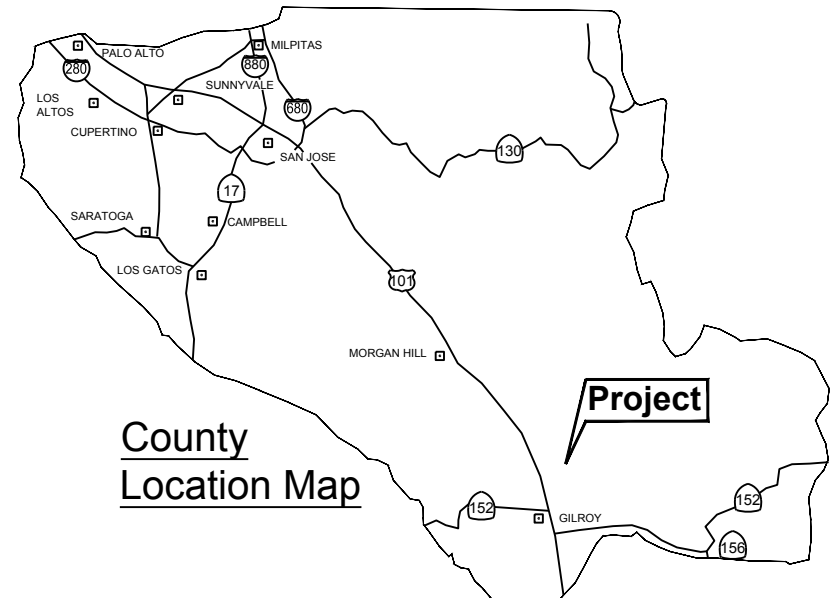
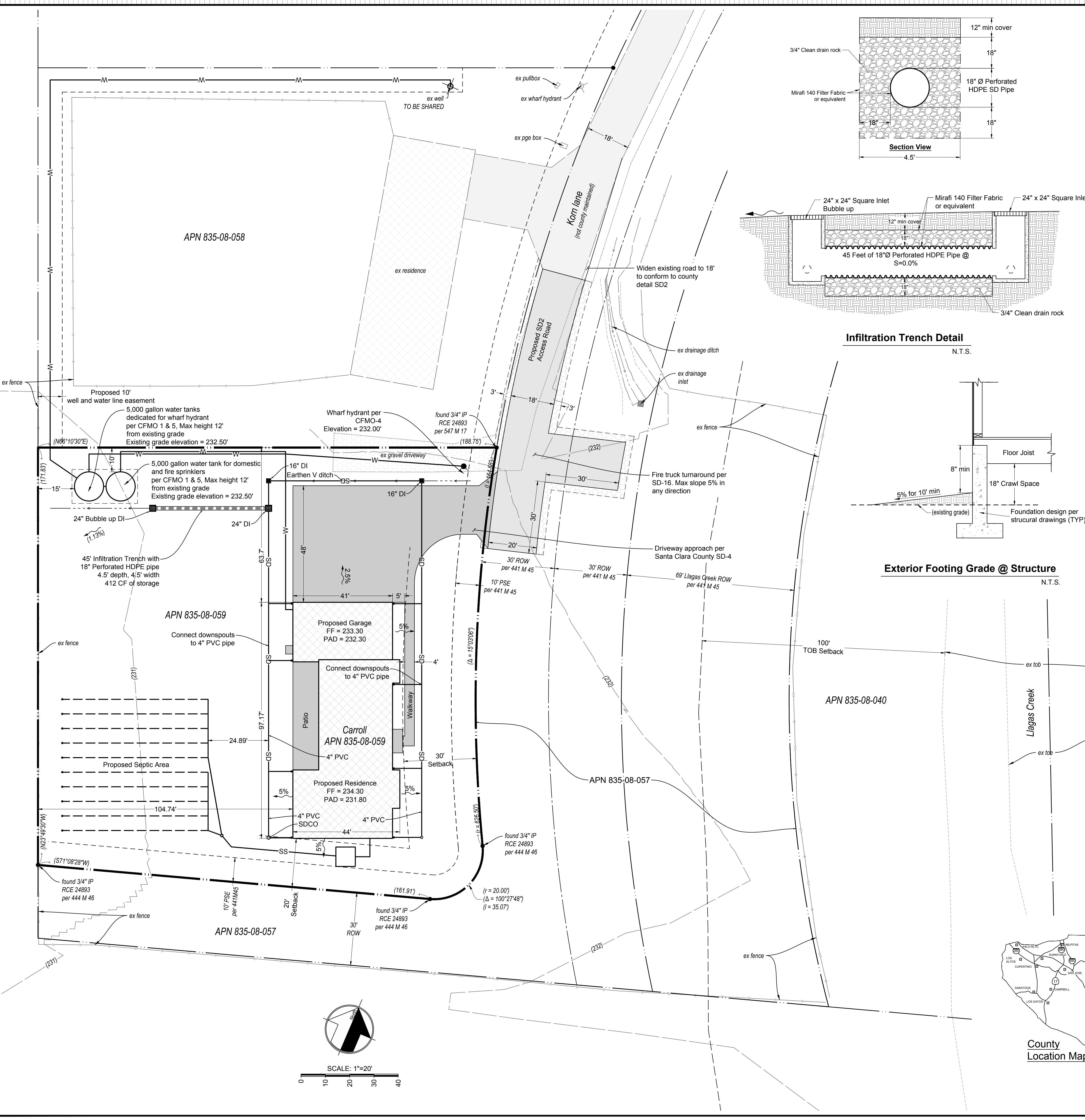
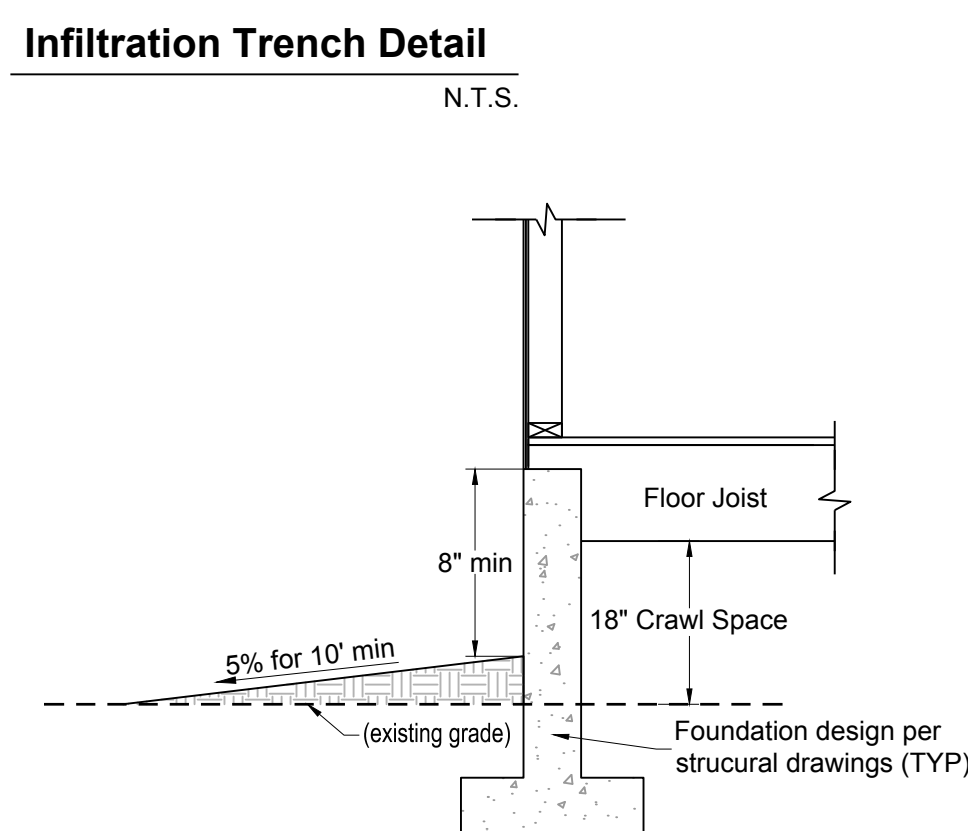
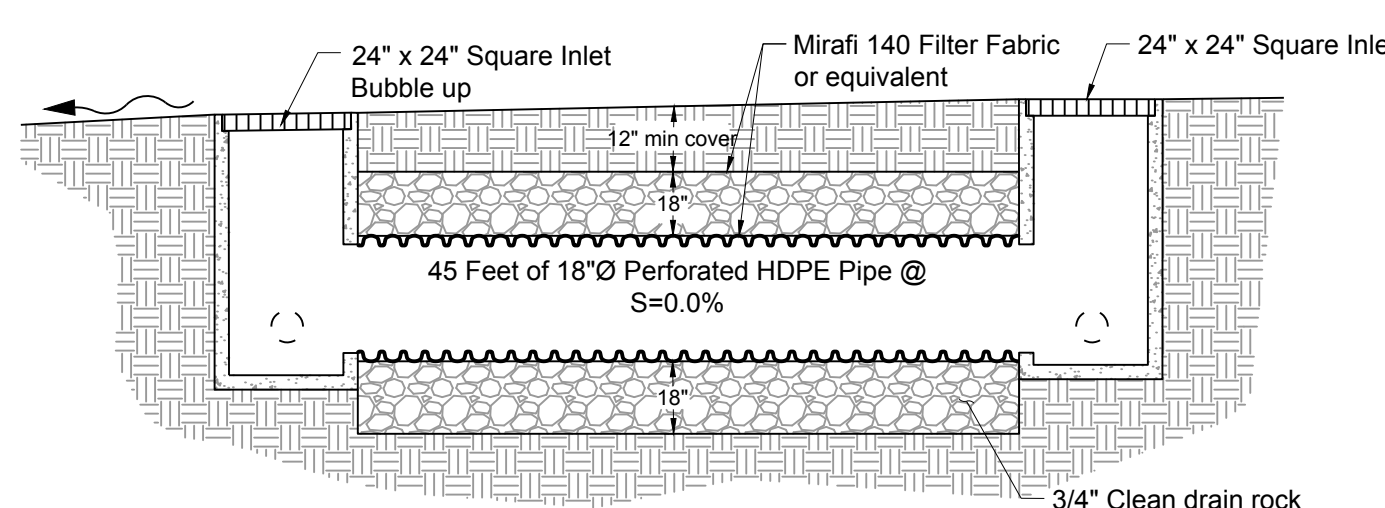
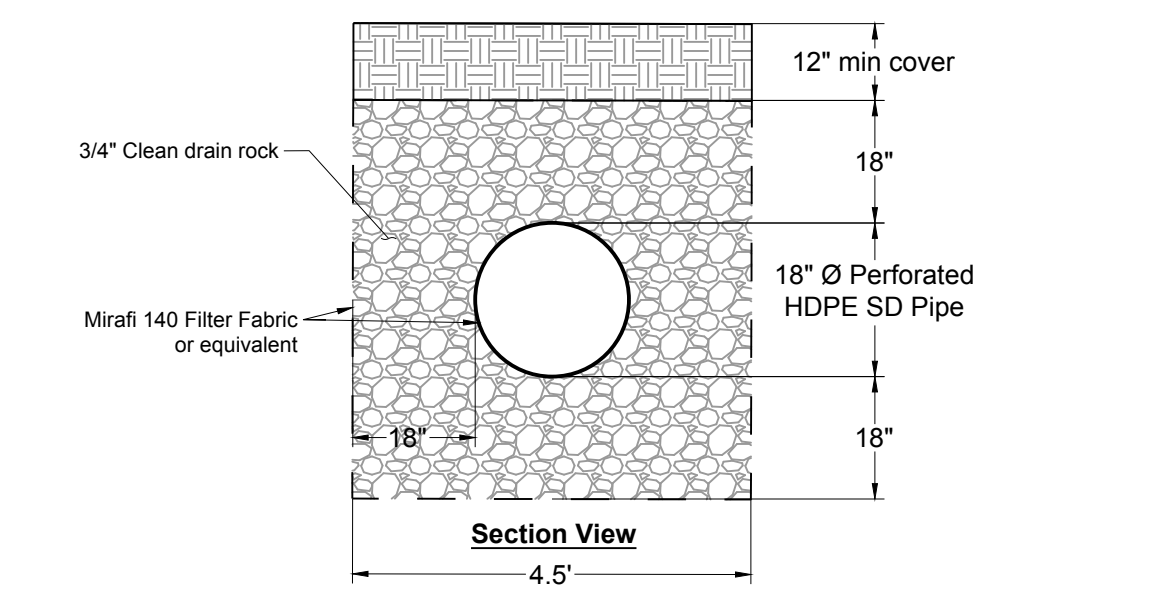
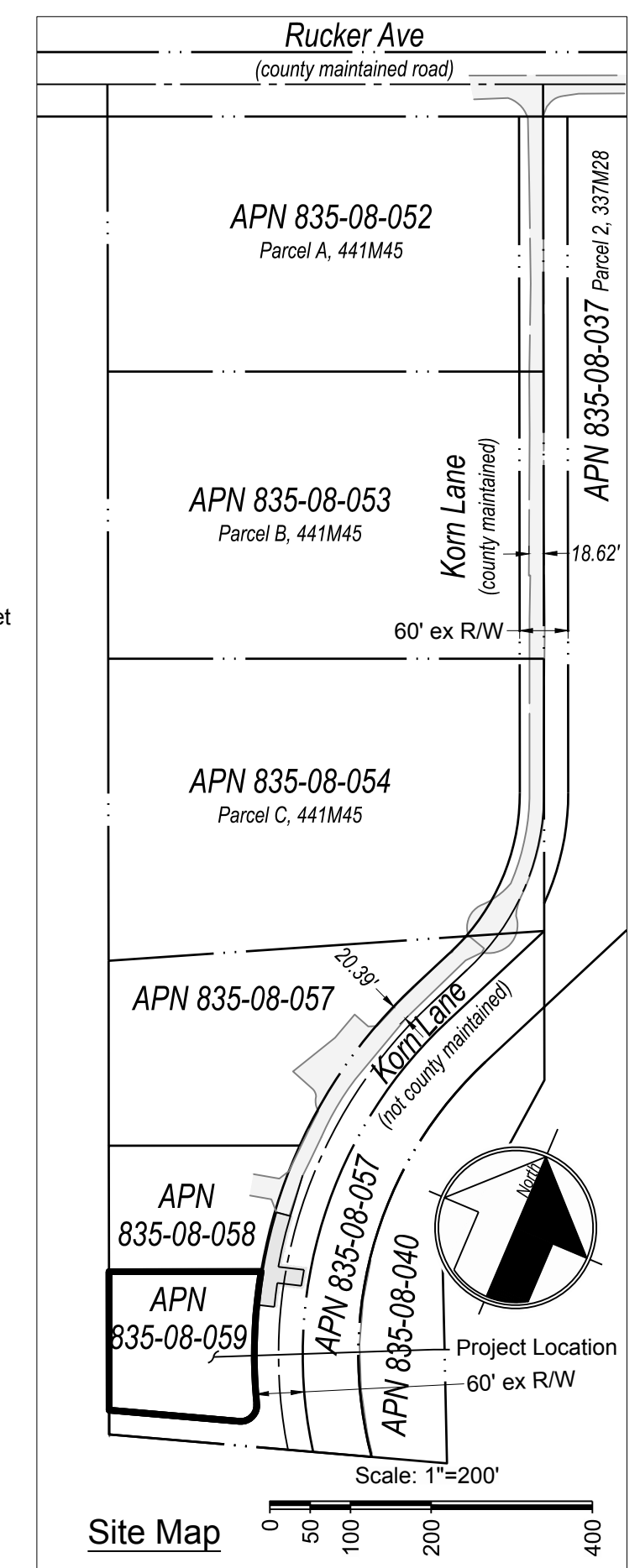
- Fire Sprinklers shall be a deferred submittal.
- Property is located in the Local Response Area.
- Property is not in the Wildland Urban Interface (WUI).
- Driveway width will be maintained at 12' minimum with a clear height of 13' 6".
- Existing access capable of supporting 75,000 lbs.
- All proposed driveways to be made of an all weather surface capable of supporting 75,000 lbs.
- All proposed driveways shall have a max. slope of 15%.

Impervious Area Summary	
Proposed Residence	2,609 SF
Proposed Garage	978 SF
Proposed Driveway	3,188 SF
Proposed Porches	524 SF
Proposed Walk	240 SF
Access Road	2,692 SF
Total New Impervious Area	10,231 SF

Proposed Floor Area	
Proposed Residence	2,609 SF
Proposed Garage	978 SF
Total Floor Area	3,587 SF

Earthwork Quantities				
	Cut	Fill	Max Cut	Max Fill
Residence	0 cy	23 cy	0.00'	0.50'
Garage	0 cy	37 cy	0.00'	0.50'
Driveway	29 cy	12 cy	1.00'	0.50'
Access Road	48 cy	12 cy	1.00'	0.50'
Stormwater Treatment	34 cy	0 cy	4.50'	0.00'
Total	111 cy	84 cy		

Area of Disturbance = 0.75 Acres



MH Engineering Co.
 16075 Vineyard Boulevard
 Morgan Hill, CA 95037

Carroll - Site Plan
Korn Lane - APN 835-08-059

DATE: 5/6/2023
 SCALE: 1"=20'
 DRAWN BY: DY
 CHECKED BY: DF
 JOB NO: 222070
 SHEET: 1
 OF: 1