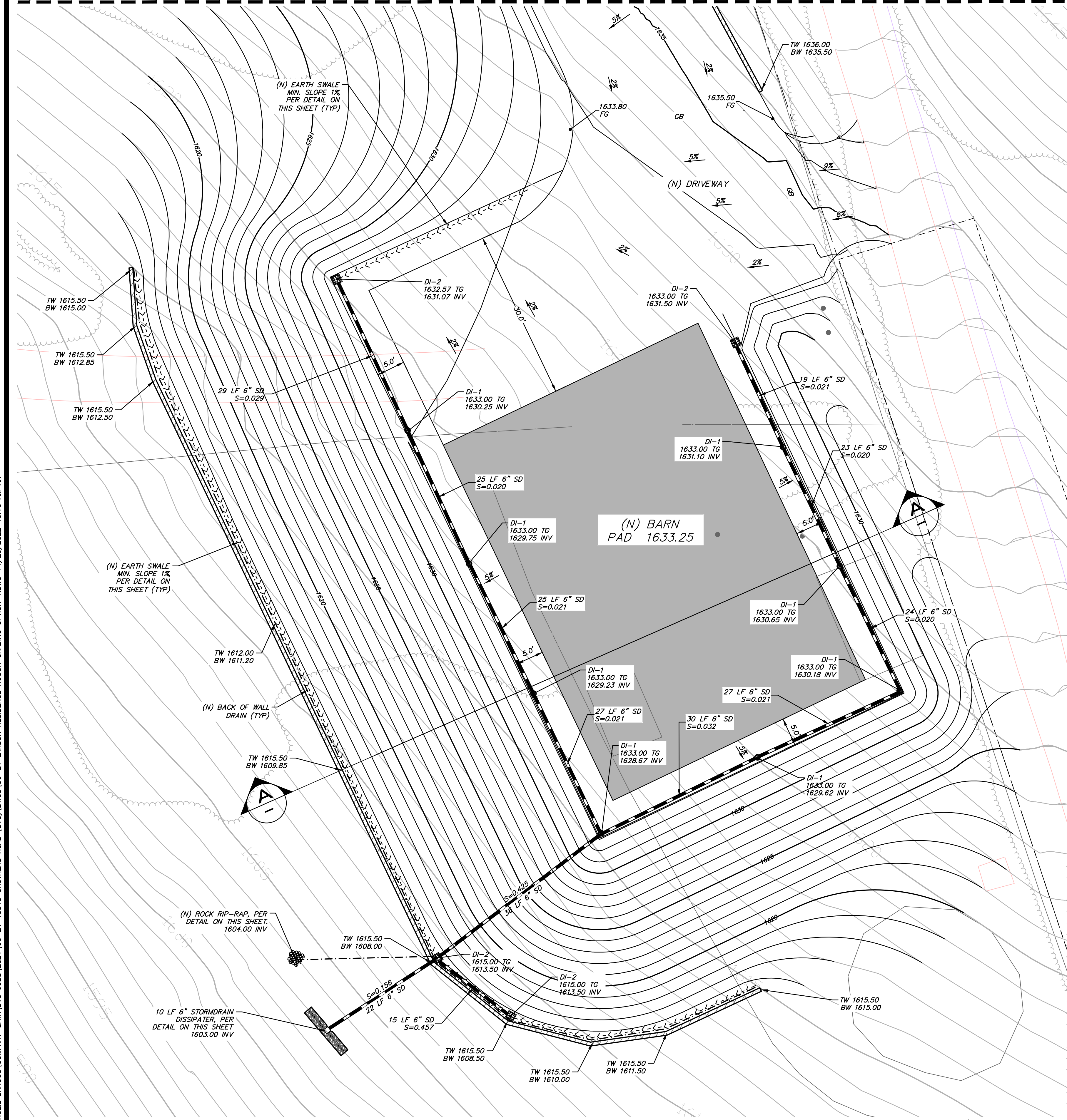


MATCH LINE SEE SHEET C7

MATCH LINE SEE SHEET C7

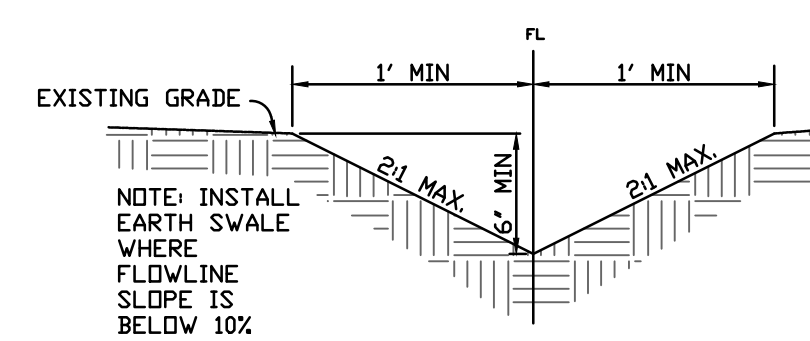
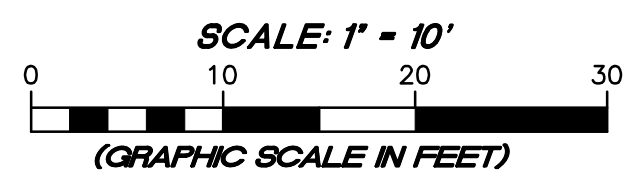


EARTHWORK:

	CUT	FILL	NET
BARN	10 CY	5520 CY	5510 CY FILL
TOTAL	10 CY	5520 CY	5510 CY FILL <IMPORT>

NOTE: NO DEDUCTION FOR PAD/CONCRETE WAS ASSUMED.

BARN ROUGH GRADING PLAN



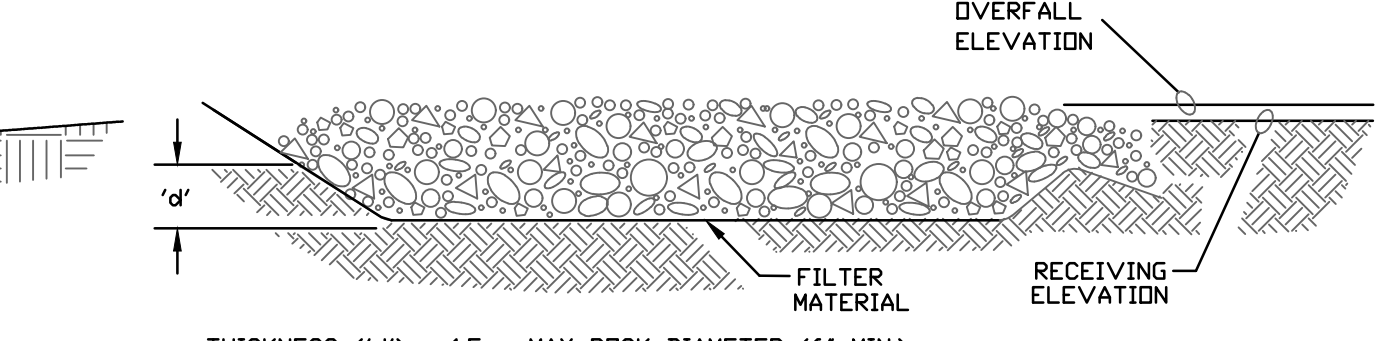
EARTH SWALE

NOT TO SCALE

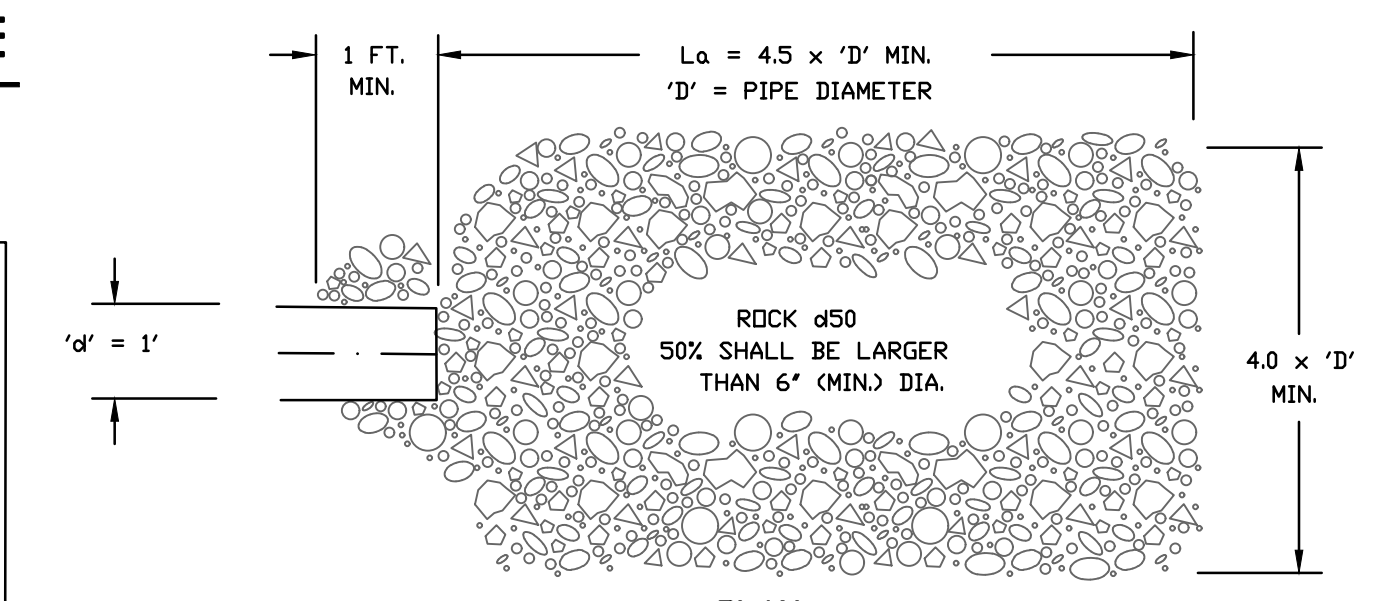
DRAINAGE SCHEDULE

- DI-1: 6" ROUND ATRIUM GRATE (OR APPROVED EQUAL)
- DI-2: 12"x12" OLDCASTLE PRECAST CONCRETE INLET (OR APPROVED EQUAL)
- TD-1: TRAFFIC RATED TRENCH DRAIN (OR APPROVED EQUAL)

ALL 6" STORM DRAIN PIPE TO BE HDPE DUAL WALL.
ALL 4" STORM DRAIN AND ROOF LEADER DRAIN PIPE TO BE PVC SCHEDULE 40.



SECTION



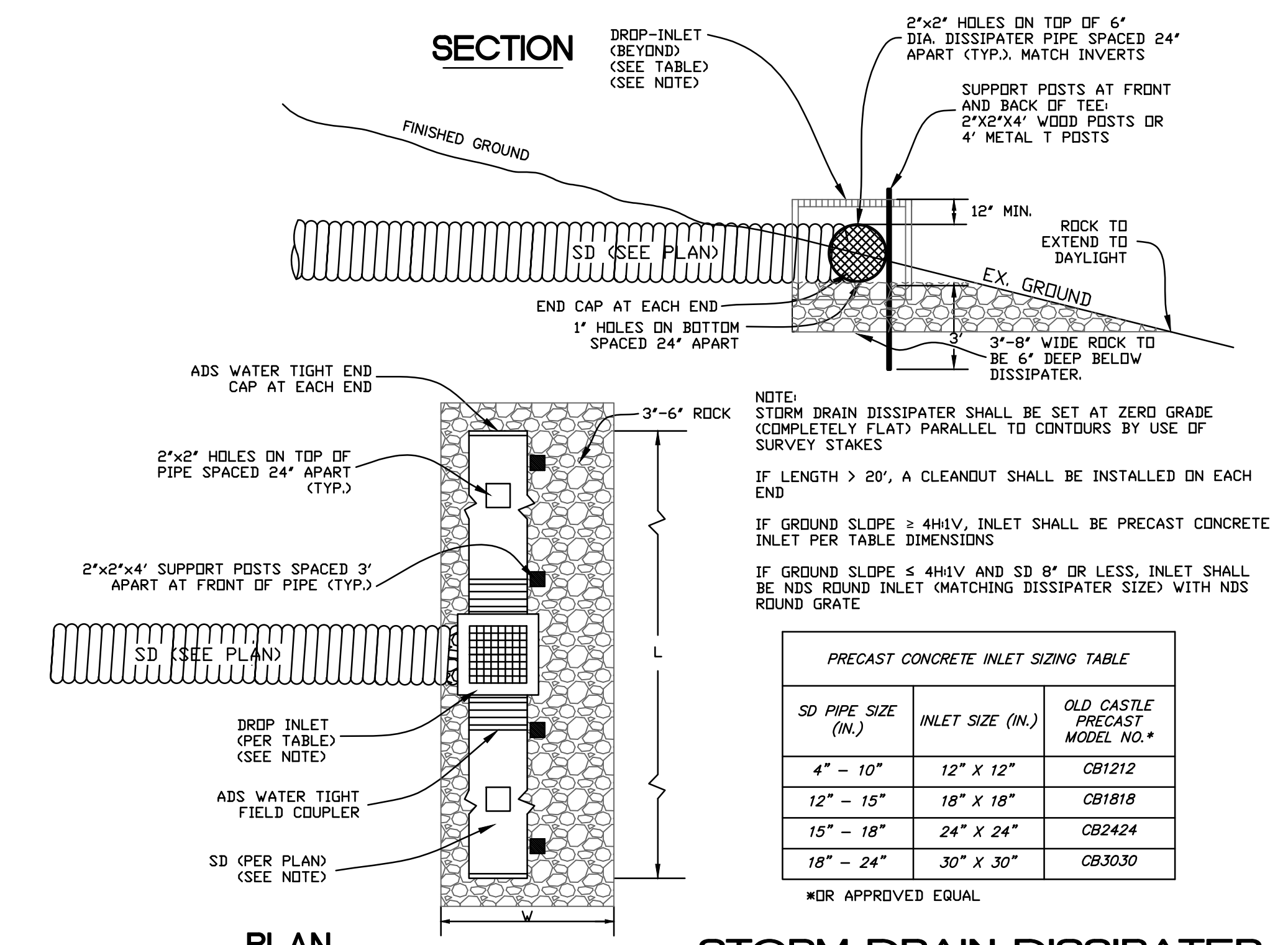
PLAN

- NOTES:
- 'La' = LENGTH OF APRON. DISTANCE 'La' SHALL BE OF SUFFICIENT LENGTH TO DISSIPATE ENERGY.
 - APRON SHALL BE SET AT A ZERO GRADE AND ALIGNED STRAIGHT.
 - FILTER MATERIAL SHALL BE FILTER FABRIC OR 6" THICK (MIN) GRADED GRAVEL LAYER.

ROCK OUTLET FOR BACK OF WALL DRAIN

NOT TO SCALE

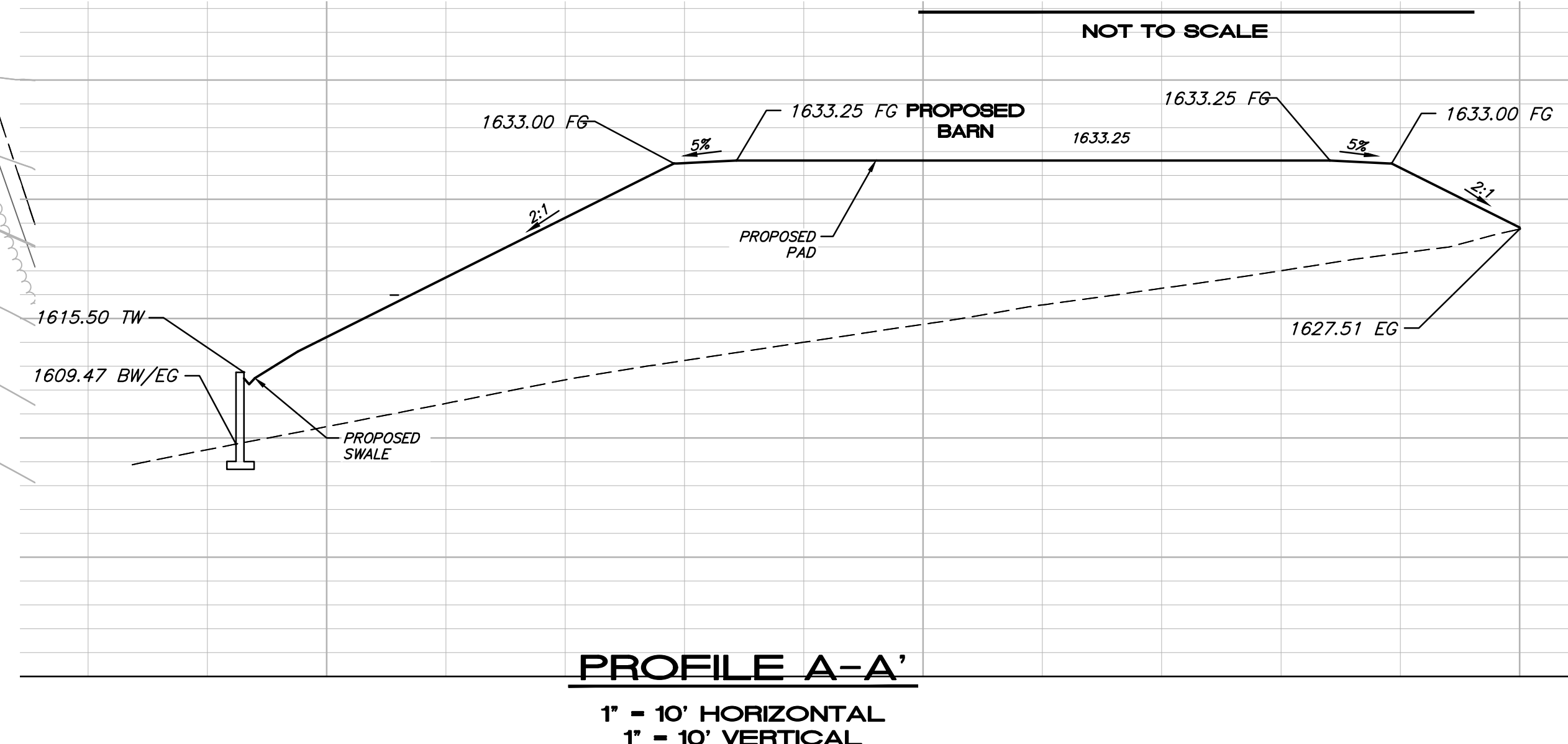
SECTION



PLAN

STORM DRAIN DISSIPATER

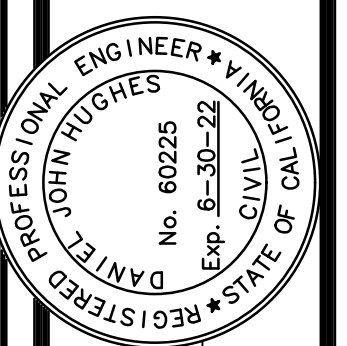
NOT TO SCALE



PROFILE A-A'
1" = 10' HORIZONTAL
1" = 10' VERTICAL

REVISION	DESCRIPTION	BY	DATE

DVC GROUP INC.
PLANNING & ENGINEERING • C.M.
HEALDSBURG, CA 95448
(707) 998-0968



Daniel John Hughes
REGISTERED PROFESSIONAL ENGINEER - CIVIL
No. 60225
Exp. 6-30-22
DATE

10818 CROTHERS ROAD
BARN ROUGH GRADING PLAN
612-44-033
10818 CROTHERS ROAD
SAN JOSE, CA

NOVEMBER 28, 2022
JOB NO.
06-21
SHEET NO.