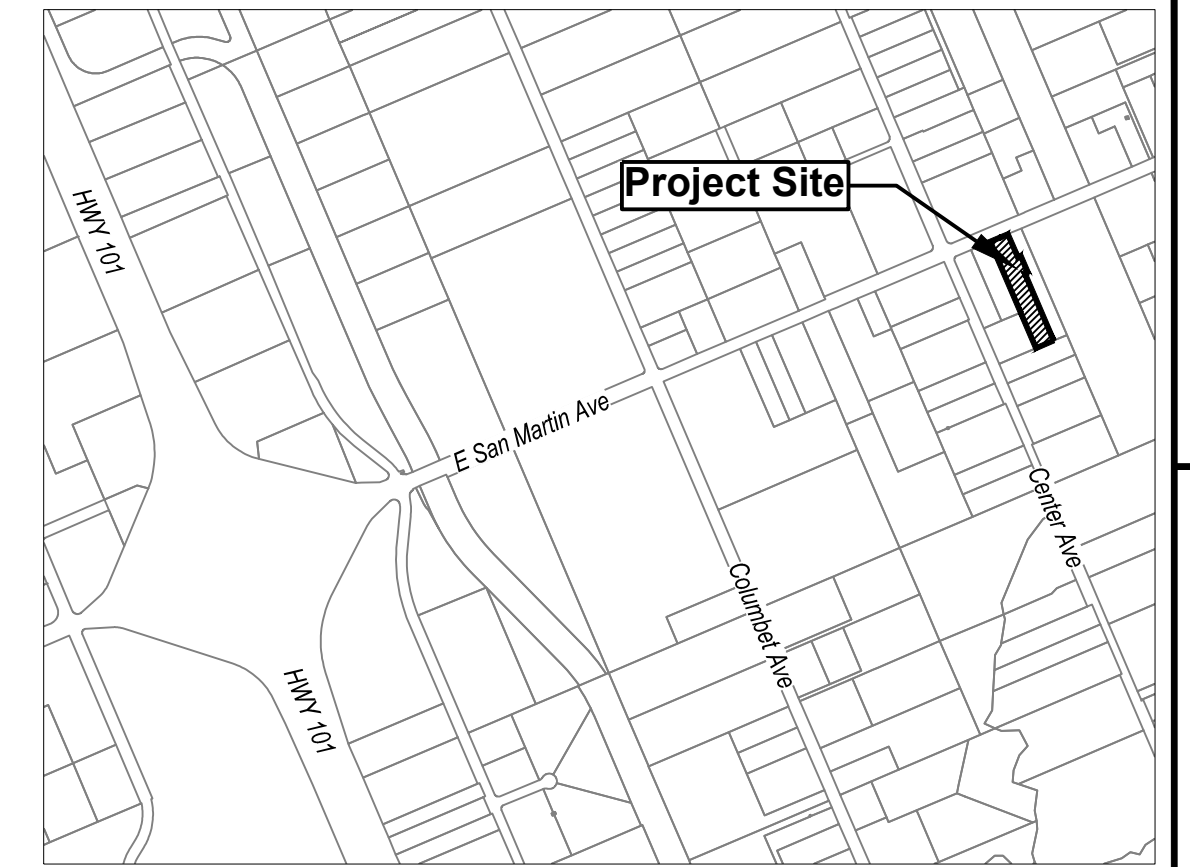
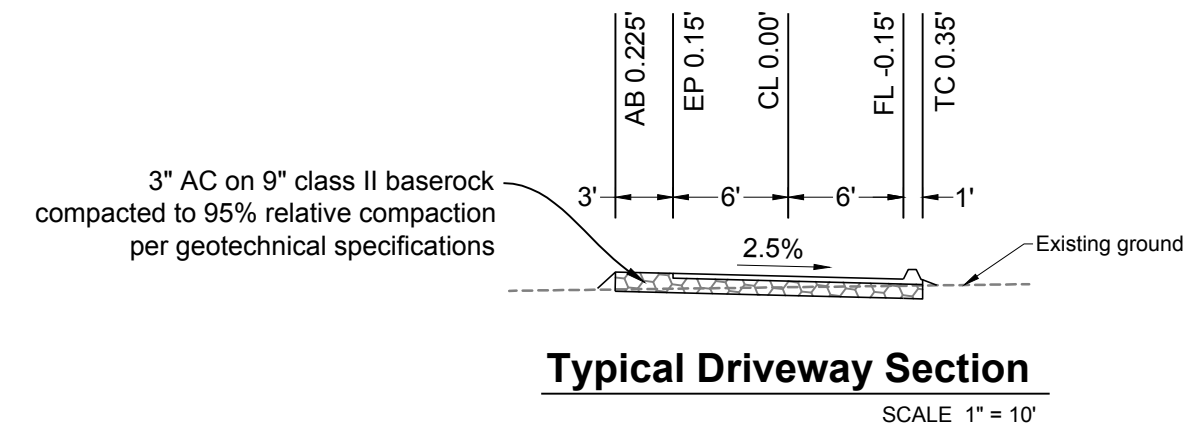
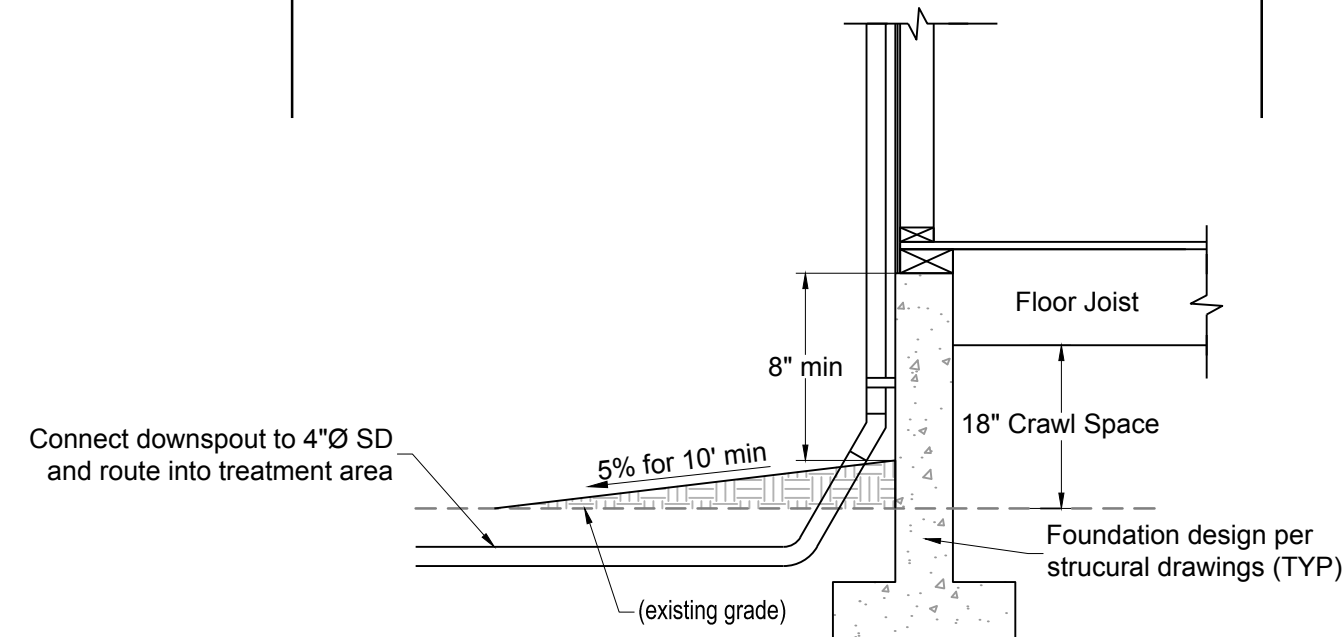
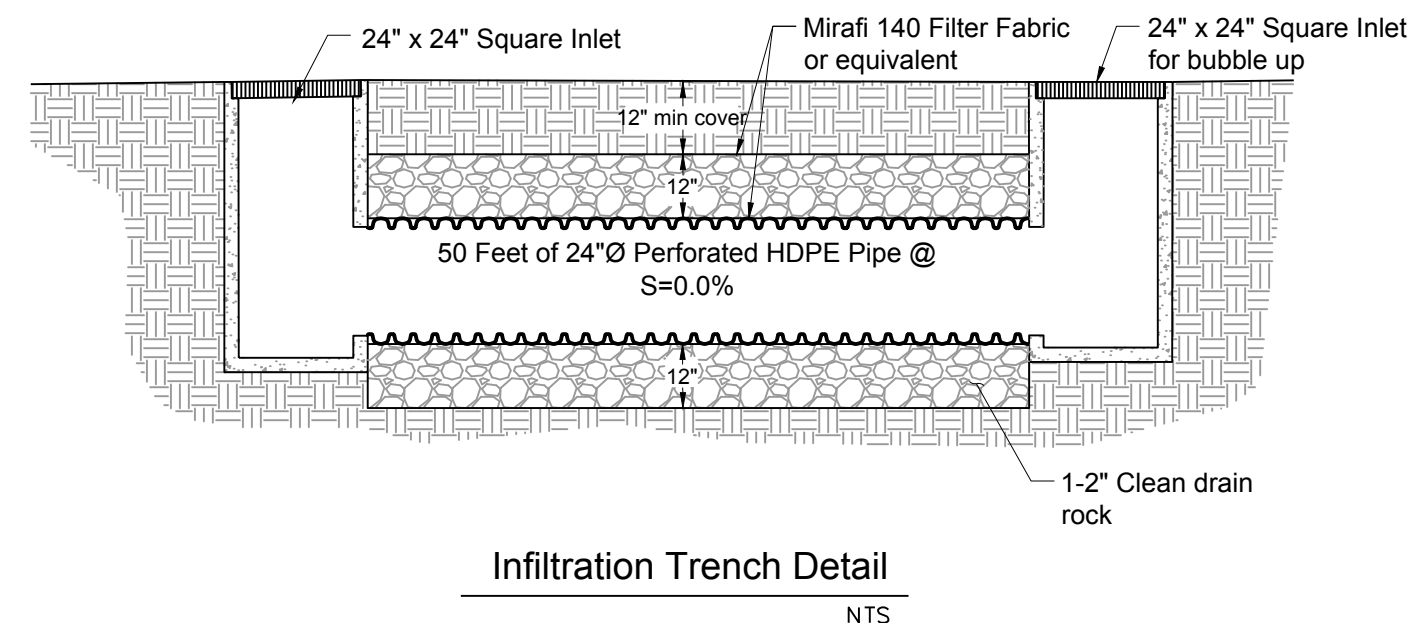
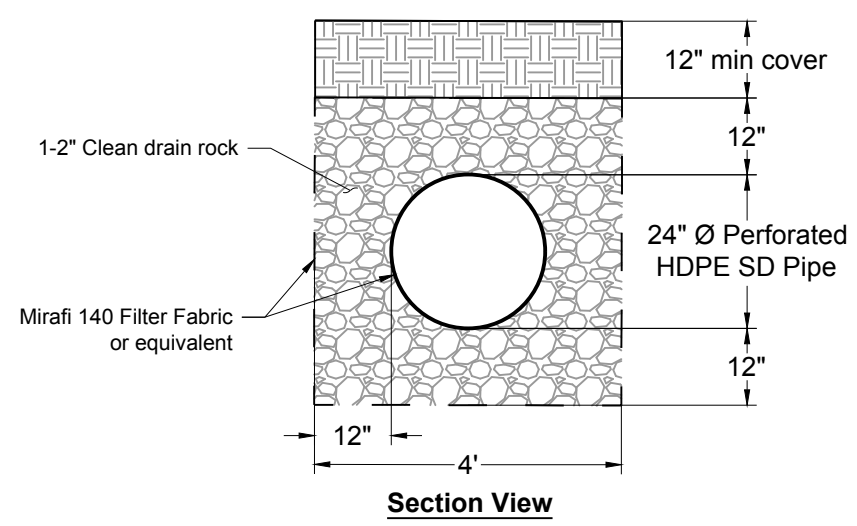


Earthwork Quantities				
	Cut	Fill	Max Cut	Max Fill
Building Pad	0 cy	78 cy	0.00'	0.75'
Driveway	97 cy	18 cy	0.75'	0.50'
Stormwater Treatment	29 cy	0 cy	4.00'	0.00'
Total	126 cy	96 cy		

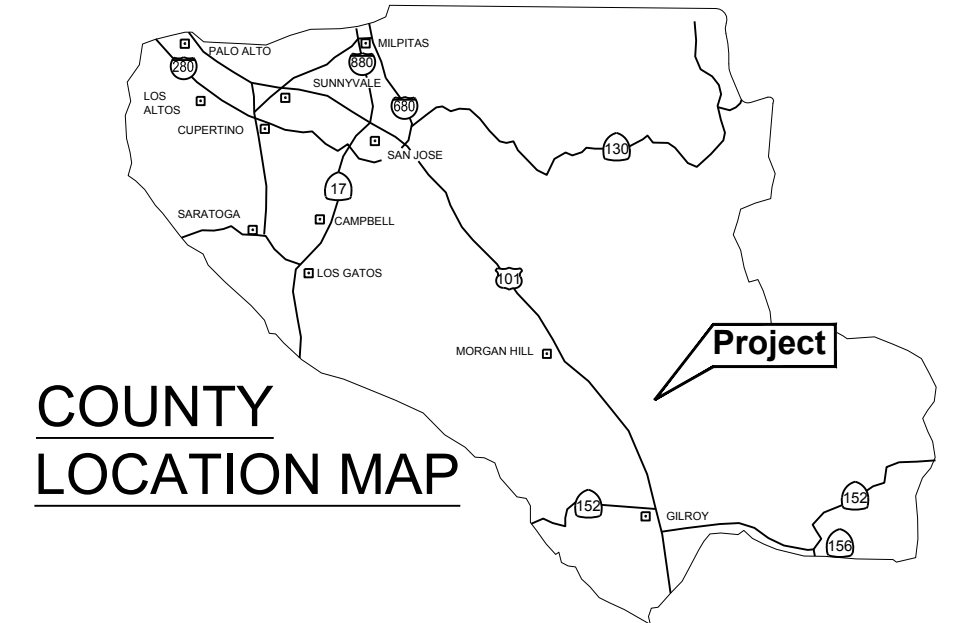
Impervious Area Summary	
Proposed Residence w/ Garage	3,900 SF
Proposed Detached ADU	1,200 SF
Proposed Driveway	4,920 SF
Proposed Walkway and Patio	415 SF
Total New Impervious Area	10,435 SF

Proposed Floor Area	
Proposed Residence	2,828 SF
Proposed Attached Garage	584 SF
Proposed ADU	1,200 SF
Proposed JADU	500 SF
Total Floor Area	5,112 SF

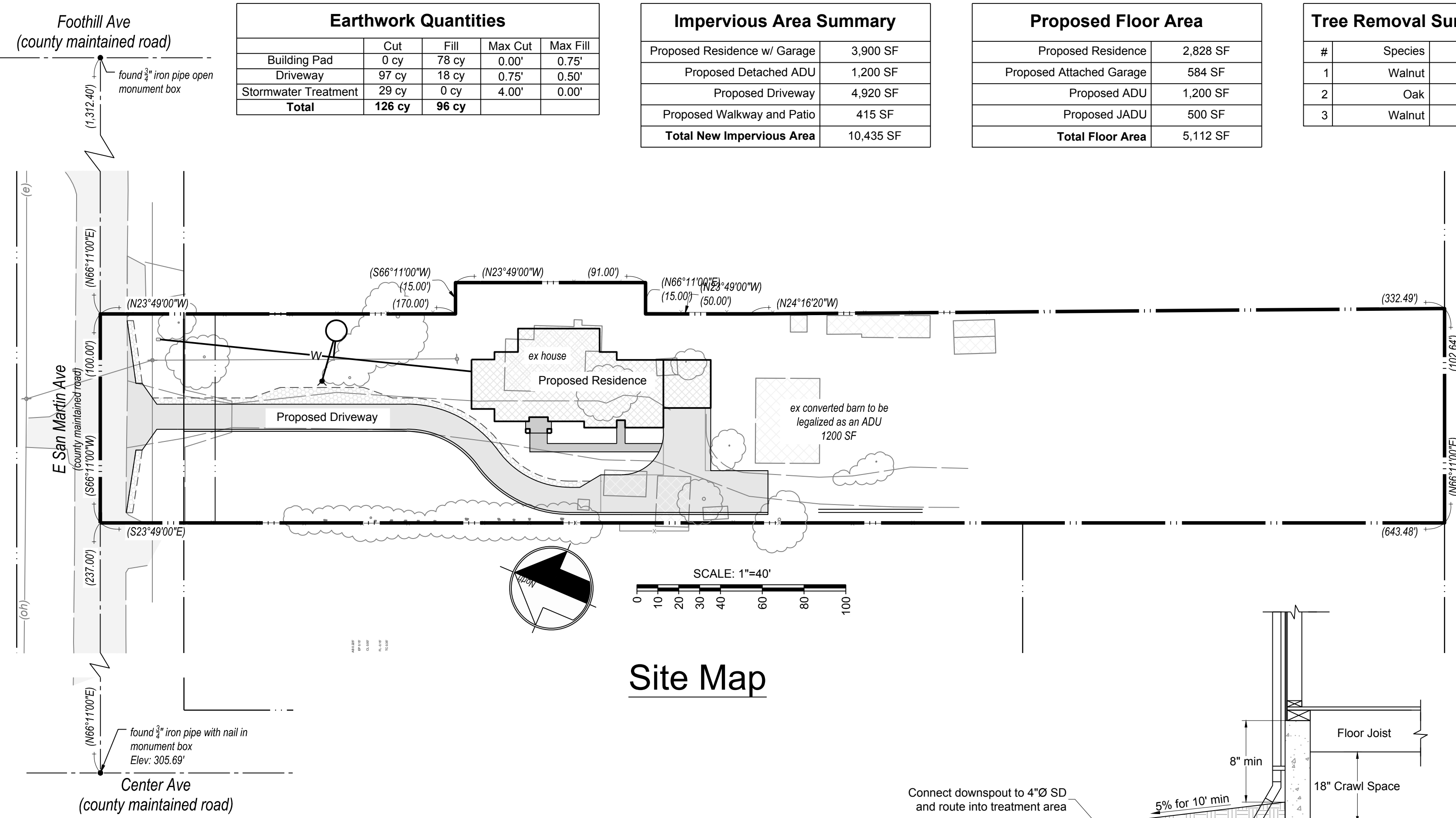
Tree Removal Summary		
#	Species	Size
1	Walnut	15"
2	Oak	18"
3	Walnut	5"



Vicinity Map



COUNTY LOCATION MAP



Site Map

Applicant/Owner:
Dulce Vargas
1460 San Martin Ave.
San Martin, CA 95046
(408) 612-1310
dulce8155@gmail.com

Engineer:
David L. Faria, RCE 92432
MH Engineering
16075 Vineyard Blvd.
Morgan Hill, CA 95037
408.779.7381
davidf@mhengineering.com

Project Information:

APN	825-43-008
Present Use:	Residential
Present Zoning:	RR-5Ac
Existing Improvements:	As Shown
Water:	San Martin Water Company
Sanitary Sewer:	OWTS
Gas & Electric:	ex PGE
Fire Responsibility Area:	LRA
Wildland Urban Interface:	N/A
HCP Area:	Rural Development Not Covered
Hazard Zone(s):	N/A
Gross Area:	1.519 ac
Net Area:	1.427 ac

Boundary Note: Property lines shown on this plan are based on record data and boundary monumentation measured to date.

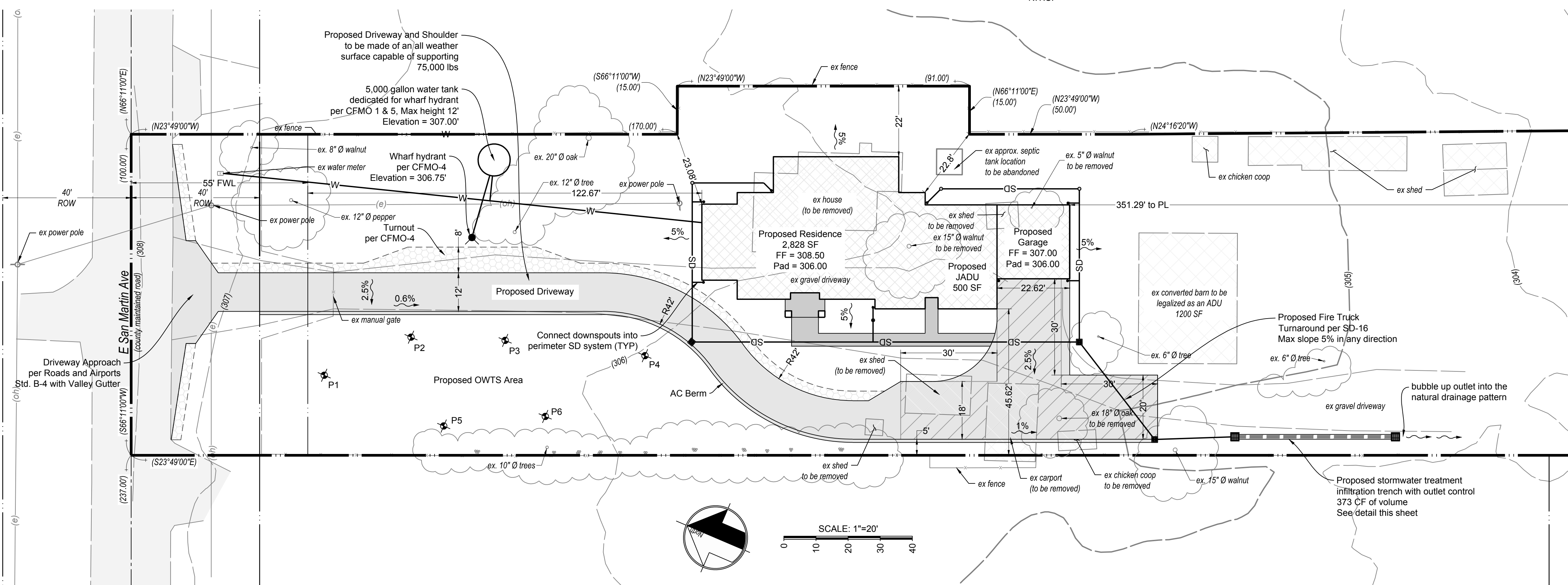
Flood Zone: The property lies wholly in Zone D, areas in which flood hazards are undetermined, but possible, per FEMA Firm Panel 06085C0629H, effective May 18, 2009.

Basis of Bearings: The bearings shown on this map are based on the centerline of San Martin Avenue as found monumented and recorded as North 66°11' East, on that record of survey thereof recorded in Book 213 of Maps at Page 48, Santa Clara County Records.

Benchmark: Elevations shown on this plan are based on the top of a 3/4 inch iron pipe with nail in a monument box located at the intersection of E San Martin Ave and Center Ave.
ELEVATION = 305.69' (NAVD88)

- Fire Notes:**
- Fire Sprinklers shall be a deferred submittal.
 - Existing residence does not have fire sprinklers.
 - Property is located in the Local Response Area.
 - Property is not in the Wildland Urban Interface (WUI).
 - Driveway width will be maintained at 12' minimum with a clear height of 13' 6".
 - All proposed driveways to be made of an all weather surface capable of supporting 75,000 lbs.
 - All proposed driveways shall have a max. slope of 15%.

Landscaping Note:
1. No landscaping is proposed.



SCALE: 1"=20'