

TIMBER FRAMING AND EXPOSED SAWN LUMBER:

- A. QUALITY ASSURANCE
 - i. WORK SHALL BE IN CONFORMANCE WITH THE *TFEC 1-2019 CODE OF STANDARD PRACTICE FOR TIMBER FRAME STRUCTURES*.
- C. DELIVERY, STORAGE, AND HANDLING
 - ii. KEEP OUT TIMBERS DRY DURING DELIVERY AND STORAGE. STORE TIMBERS OFF THE GROUND AND COVERED.
 - iii. CUT AND STACK TIMBERS SO AS NOT TO ENCOURAGE THE GROWTH OF SAP-STAIN FUNGI, MOLD OR MILDEW. STACK TIMBERS WITH STICKERS AND SPACERS BETWEEN BUNDLES TO ALLOW AIR CIRCULATION.
 - iiii. PROVIDE REASONABLE PROTECTION DURING TRANSPORTATION, STORAGE, HANDLING AND ERECTION OF THE TIMBERS TO AVOID MARRING, STAINING, OR THE ACCUMULATION OF EXCESS MOISTURE, DIRT AND FOREIGN MATTER.
- D. TIMBER AND EXPOSED SAWN LUMBER
 - i. SPECIES: SEE PROJECT SPECIFICATIONS
 - ii. GRADE: SEE PROJECT SPECIFICATIONS
 - iii. DRESSING: SEE PROJECT SPECIFICATIONS. TIMBER AND EXPOSED LUMBER SIZES ARE NOMINAL TO THE 1/2" DIMENSION UNDER FULL SAWN.
- E. TIMBER CONNECTORS
 - i. WOOD PEGS: STRAIGHT GRAINED WHITE OAK CONFORMING TO ASTM D8023. IF TAPERED PEGS ARE USED, PEGS SHALL BE TAPERED FOR AT LEAST 1/3 OF THEIR LENGTH AND AT LEAST FOUR INCHES LONGER THAN THE THICKNESS OF THE TIMBER IN WHICH THEY ARE DRIVEN SO THAT THE TAPERED SECTION PROTRUDES FROM THE TIMBER.
 - ii. SCREWS: THE FOLLOWING SCREWS ARE ACCEPTABLE FOR GENERAL USE. ALL SCREWS SHALL HAVE MINIMUM 3" EMBEDMENT INTO MAIN MEMBER. ALL SCREWS SHALL BE RATED FOR EXTERIOR USE UTILIZING SPECIALTY FABRICATOR COATINGS, BE HOT DIPPED GALVANIZED, OR BE STAINLESS STEEL.
 - a. HEAD LOK BY FASTENMASTERS
 - b. RSS BY GRK - 3/8" DIAMETER
 - c. SDWS BY SIMPSON STRONG-TIE - 5/16" DIAMETER
 - d. SWG ASSY SK BY WURTH - 5/16" DIAMETER
- F. FABRICATION
 - i. TIMBERS SHALL BE FABRICATED IN STRICT CONFORMANCE TO APPROVED SHOP DRAWINGS. FABRICATION PRIOR TO RECEIPT OF APPROVED SHOP DRAWINGS SHALL BE AT THE CONTRACTOR'S RISK.
 - ii. CONNECTION JOINERY: TIMBERS SHALL BE FABRICATED TO JOIN TIGHTLY AND IN PROPER ALIGNMENT AT THE TIME OF ASSEMBLY. SMALL (1/8" OR LESS) VARIATIONS WHERE THE FACES OF JOINTS COME TOGETHER (IN ALIGNMENT OR SEPARATION) ARE ACCEPTABLE. PROVISIONS SHALL BE MADE IN THE DETAILING OF JOINERY TO ALLOW FOR DIMENSIONAL CHANGES (JOINT SEPARATION AND ALIGNMENT) ASSOCIATED WITH TIMBER DRYING SHRINKAGE.
- G. ADDITIONAL NOTES:
 - i. ECLIPSE ENGINEERING IS RESPONSIBLE FOR ENGINEERING THIS STRUCTURE TO WITHSTAND GRAVITY LOADS ONLY. THIS INCLUDES MEMBER SIZING, AND ANALYSIS OF CONNECTIONS AND BASEPLATES.

PROJECT SPECIFICATIONS	
SPECIES	--
SURFACE	--
FINISH	--
DELIVERED	--
INSTALLED	--
HARDWARE	--
T&G	--
T&G INSTALLED	--
DEAD LOAD:	--- PSF
LIVE LOAD:	--- PSF
SNOW LOAD:	--- PSF
WIND LOAD (V):	--- MPH
WIND LOAD (EXP):	---
SEISMIC CAT.	---
BUILDING CODE	---

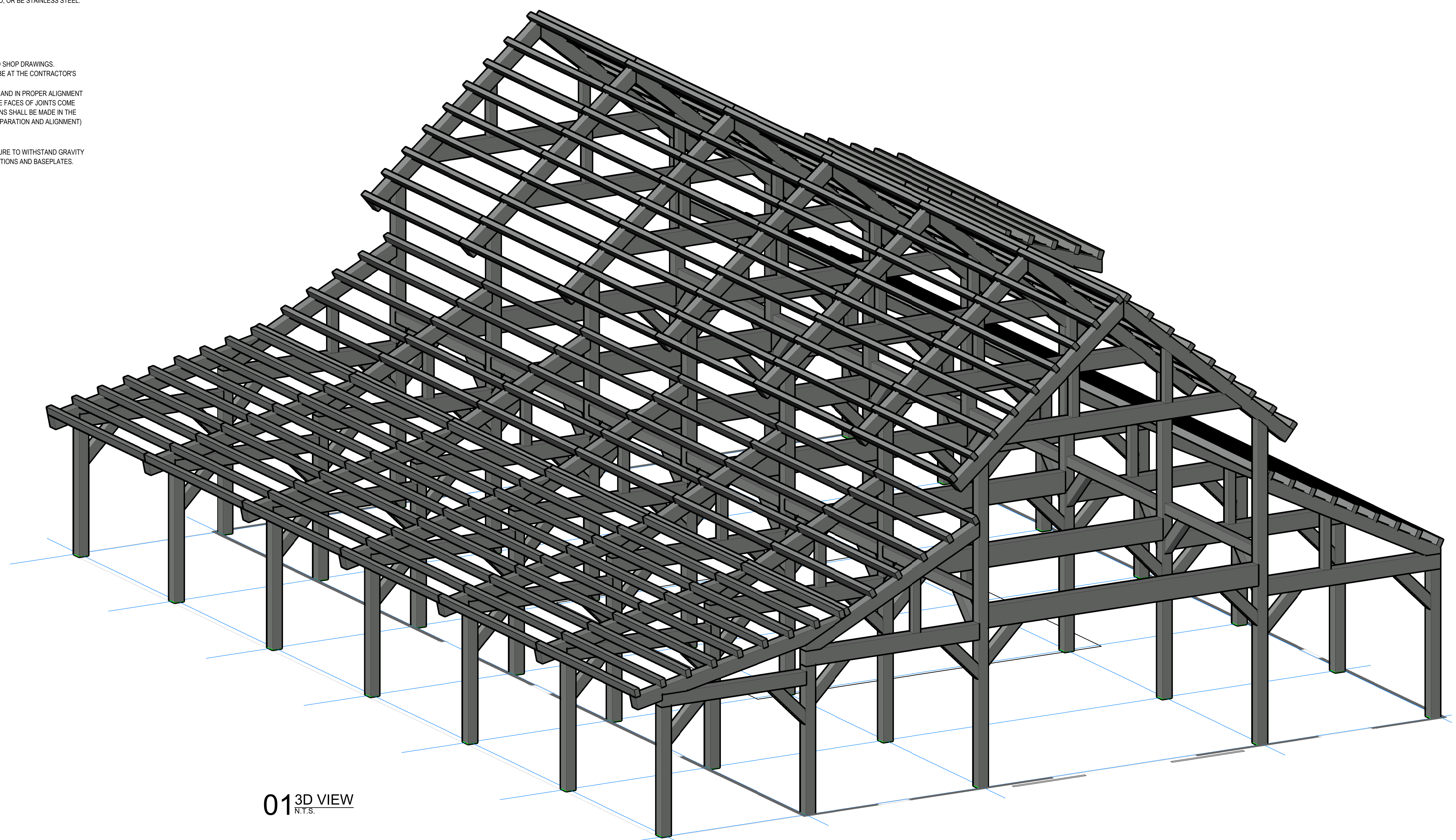
NOTE: All timber sizes represented in these plans are nominal unless noted otherwise. Actual dimensions are 1/2" (one half inch) less in both width and height than indicated dimensions.

NOTE: The pegs for all mortise and tenon joinery represented in these plans are to consist of clear, 1" (one inch) diameter, oak doweling unless specifically noted otherwise.

NOTE: All mortise and tenon joinery represented in these plans are to be 2" (two inches) wide, 5" (five inches) deep and centered on timber face, unless specifically noted otherwise.

NOTE: All timber screws represented in these plans are to be Simpson SDWS Timber Screws (Exterior Grade) with described length unless noted otherwise.

NOTE: All Lag Bolts represented in these plans are to be 1/2" (half inch) wide in diameter with described length unless noted otherwise.



01 3D VIEW
N.T.S.



www.timberlyne.com
 Texas: 613 Hwy 46 E.
 Boerne, TX 78006
 877-680-1680
 Nebraska: 116 West 1st Street
 Wayne, NE 68787
 888-489-1680

© 2021 Timberlyne. All Rights Reserved. THIS PLAN AND THE DESIGNS CONTAINED HEREIN ARE THE PROPERTY OF TIMBERLYNE GROUP™ AND MAY NOT BE REPRODUCED WITHOUT PRIOR WRITTEN CONSENT FROM TIMBERLYNE GROUP™.

CUSTOMER INFORMATION:
MIKE DEMKOWSKI

Client Address

PROJECT INFORMATION:
GUNNAR BARN

Project Address

NUMBER	SCO0123-1
CATEGORY	
STYLE	
PM	WAYNE T.

DRAWING INFORMATION:	
DRAWN BY	DANNY D.
DATE	3.7.2023
STATUS	
OTHER	Other Info
OTHER	Other Info
OTHER	Other Info

REVISIONS		
No.	Description	Date

SHEET
T0.0

CUSTOMER INFORMATION:

MIKE DEMKOWSKI

Client Address

PROJECT INFORMATION:

GUNNAR BARN

Project Address

NUMBER	SCO0123-1
CATEGORY	
STYLE	
PM	WAYNE T.

DRAWING INFORMATION:

DRAWN BY	DANNY D.
DATE	3.7.2023
STATUS	
OTHER	Other Info
OTHER	Other Info
OTHER	Other Info

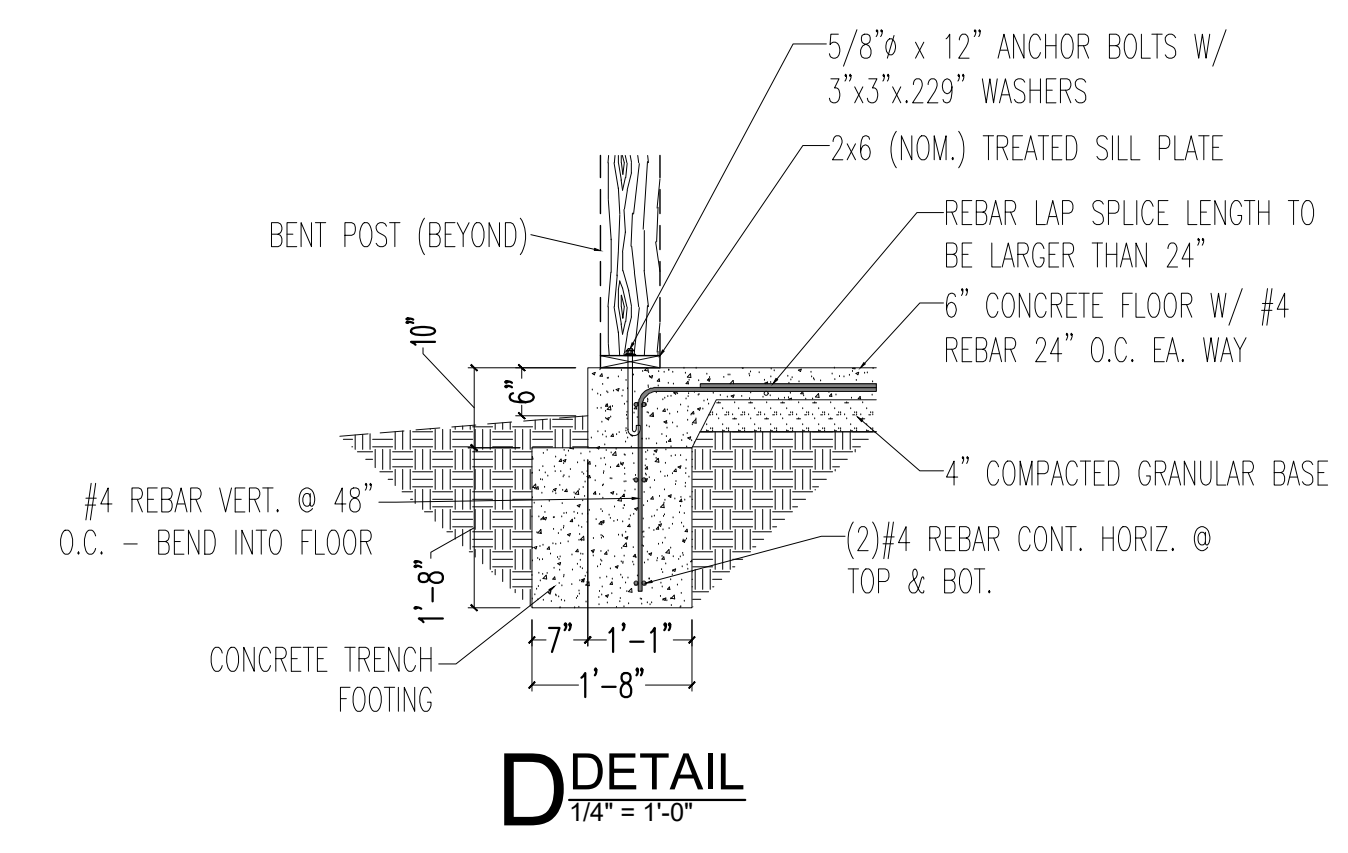
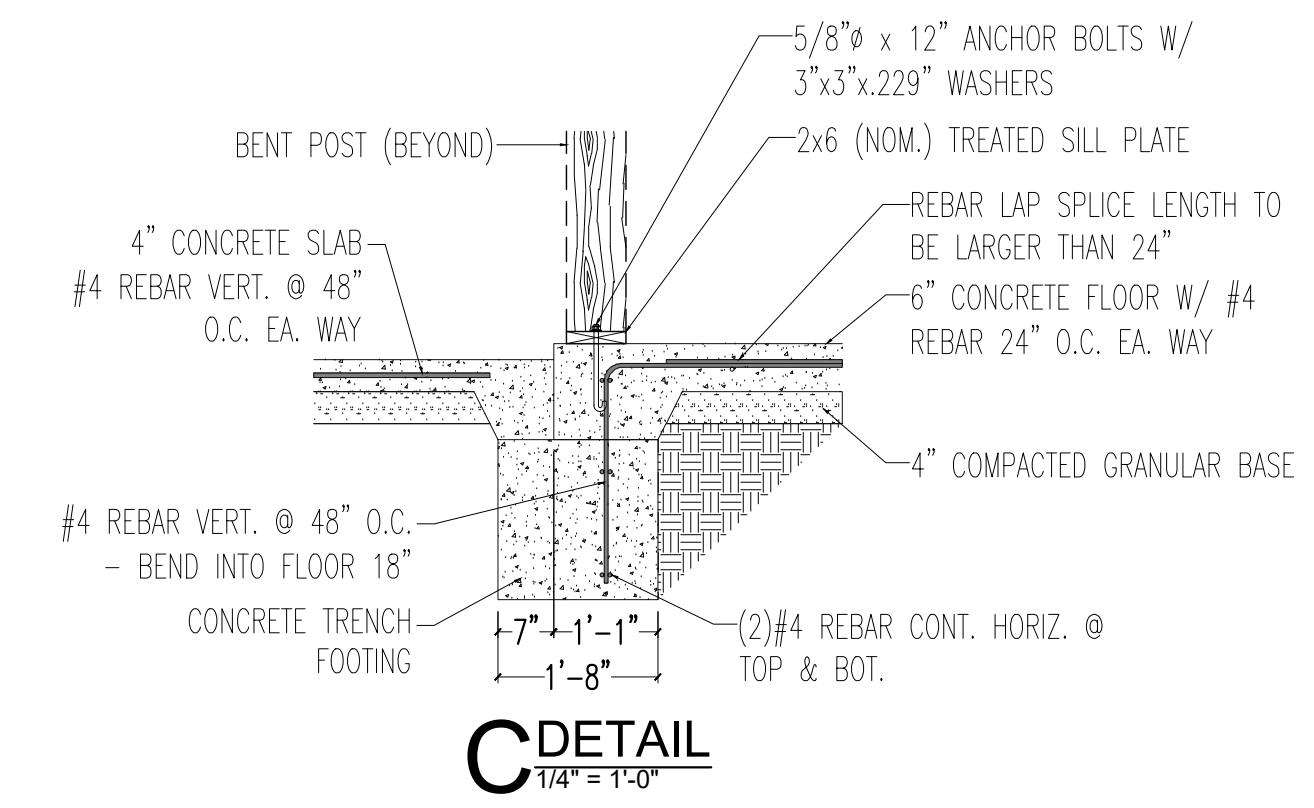
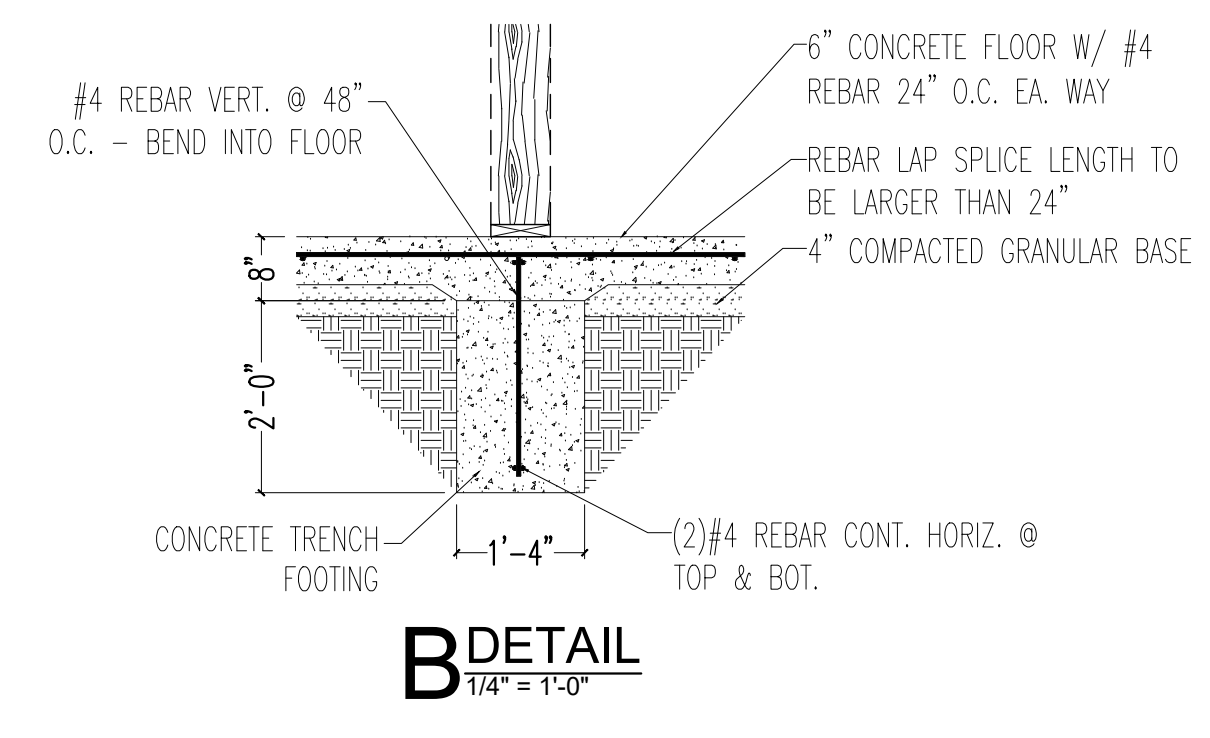
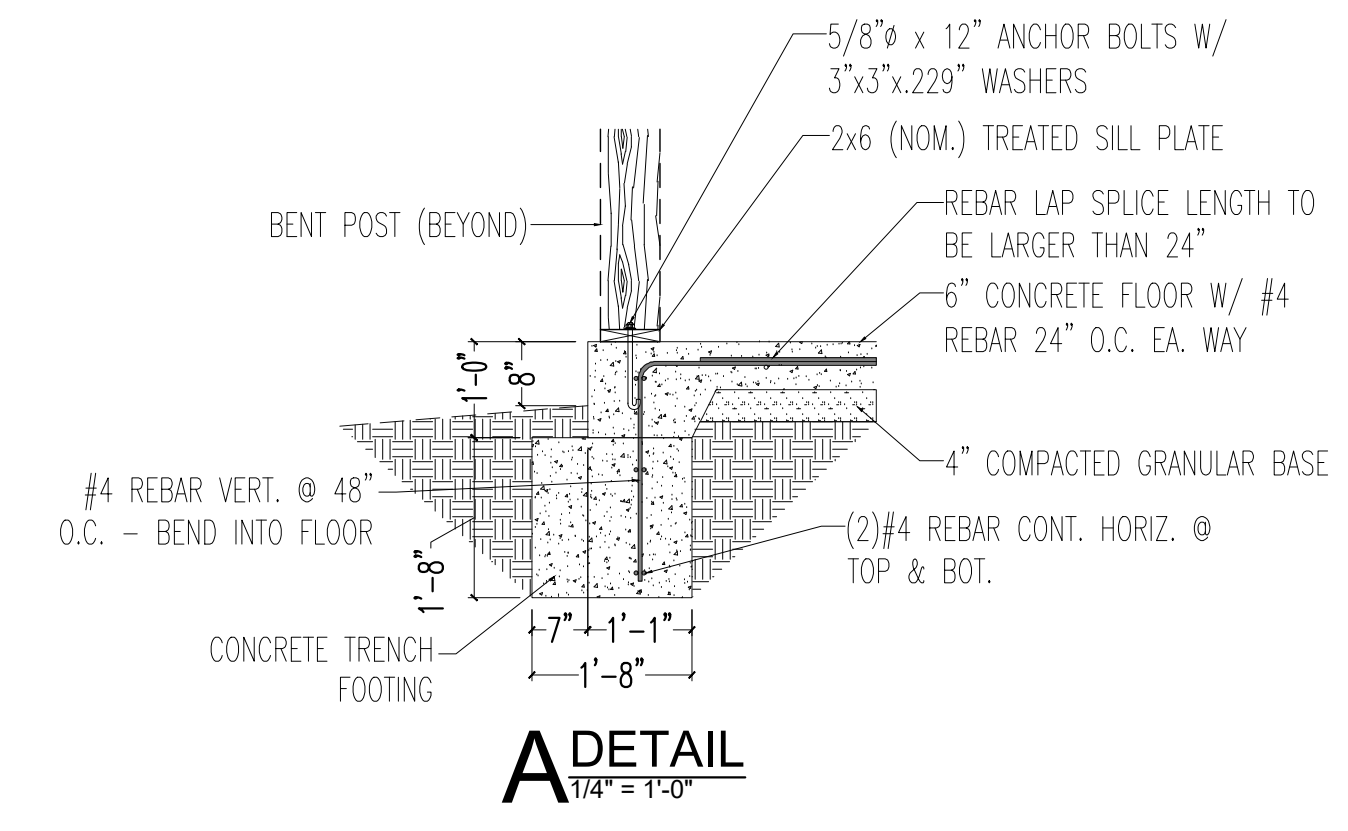
REVISIONS

No.	Description	Date

SHEET

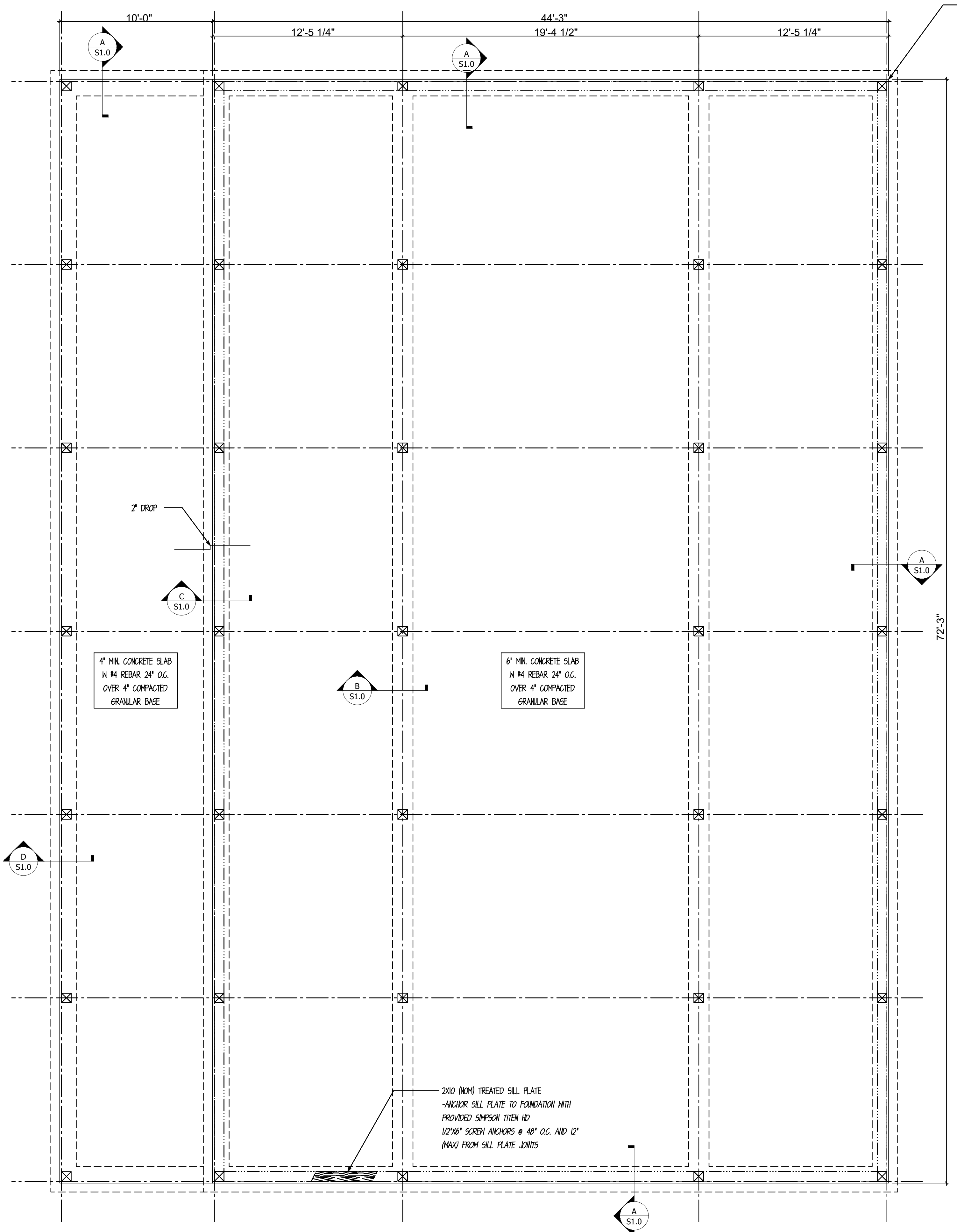
S1.0

ALL DIMENSIONS ON FOUNDATION PLAN ARE
 BASED FROM EDGE OF CONCRETE.
 CONCRETE EXTENDS 1/2" PAST PERIMETER
 POSTS ON ALL EXT. SIDES FOR GIRT LEDGE
 (SEE DETAIL A)



SCREW ANCHOR INFORMATION

NOTES:
 1. USED FOR POST ATTACHMENT.
 2. USED TO ATTACH TREATED SILL TO CONCRETE.
 3. USE 1/2" DIA. MASONRY BIT TO PRE-DRILL



01 FOUNDATION LAYOUT
 1/4" = 1'-0"

CUSTOMER INFORMATION:

**MIKE
 DEMKOWSKI**

Client Address

PROJECT INFORMATION:

**GUNNAR
 BARN**

Project Address

NUMBER	SCO0123-1
CATEGORY	
STYLE	
PM	WAYNE T.

DRAWING INFORMATION:

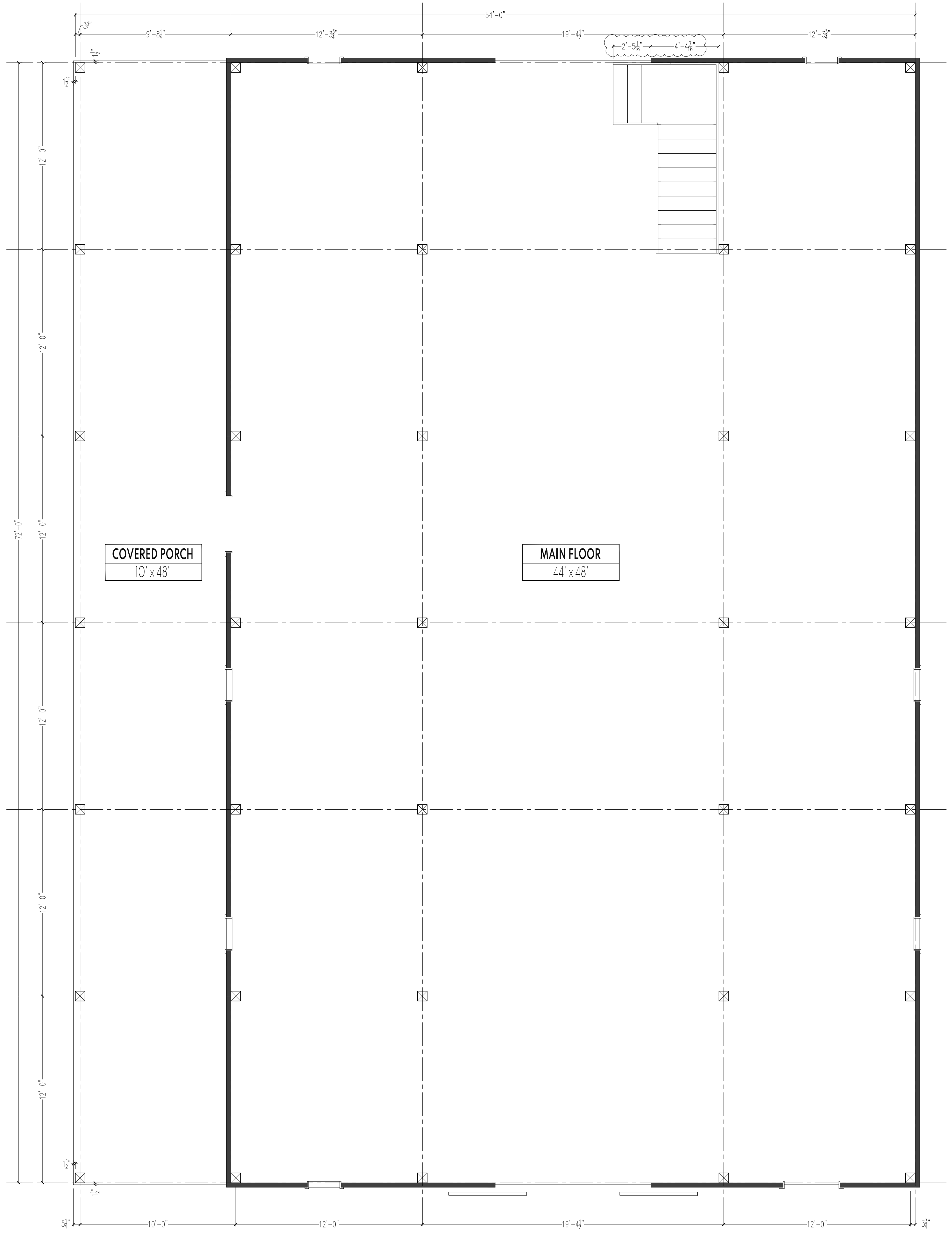
DRAWN BY	DANNY D.
DATE	3.7.2023
STATUS	
OTHER	Other Info
OTHER	Other Info
OTHER	Other Info

REVISIONS

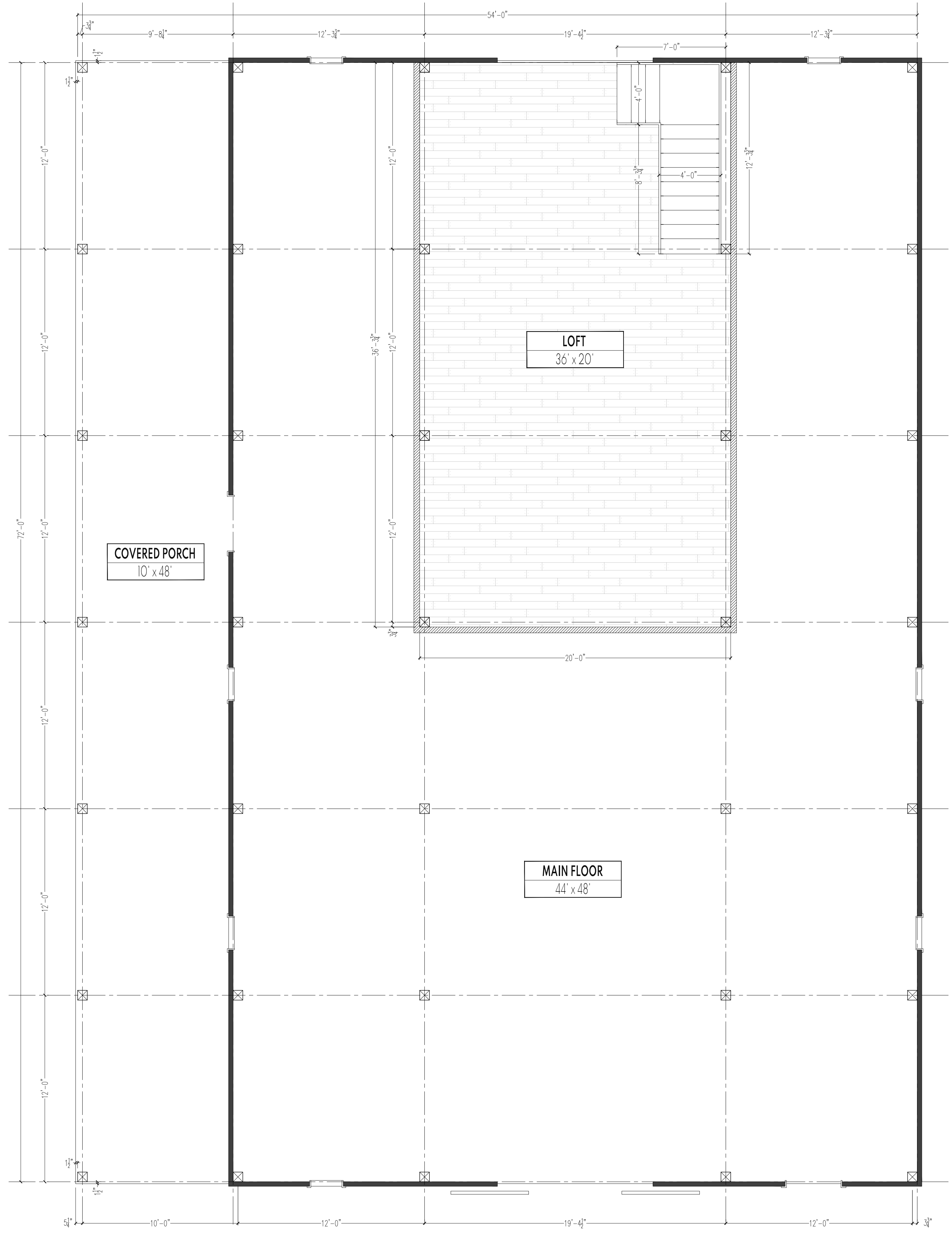
No.	Description	Date

SHEET

T1.0



01 POST LAYOUT - MAIN LEVEL
1/4" = 1'-0"



01 POST LAYOUT - LOFT LEVEL
1/4" = 1'-0"

CUSTOMER INFORMATION:

**MIKE
 DEMKOWSKI**

Client Address

PROJECT INFORMATION:

**GUNNAR
 BARN**

Project Address

NUMBER	SCO0123-1
CATEGORY	
STYLE	
PM	WAYNE T.

DRAWING INFORMATION:

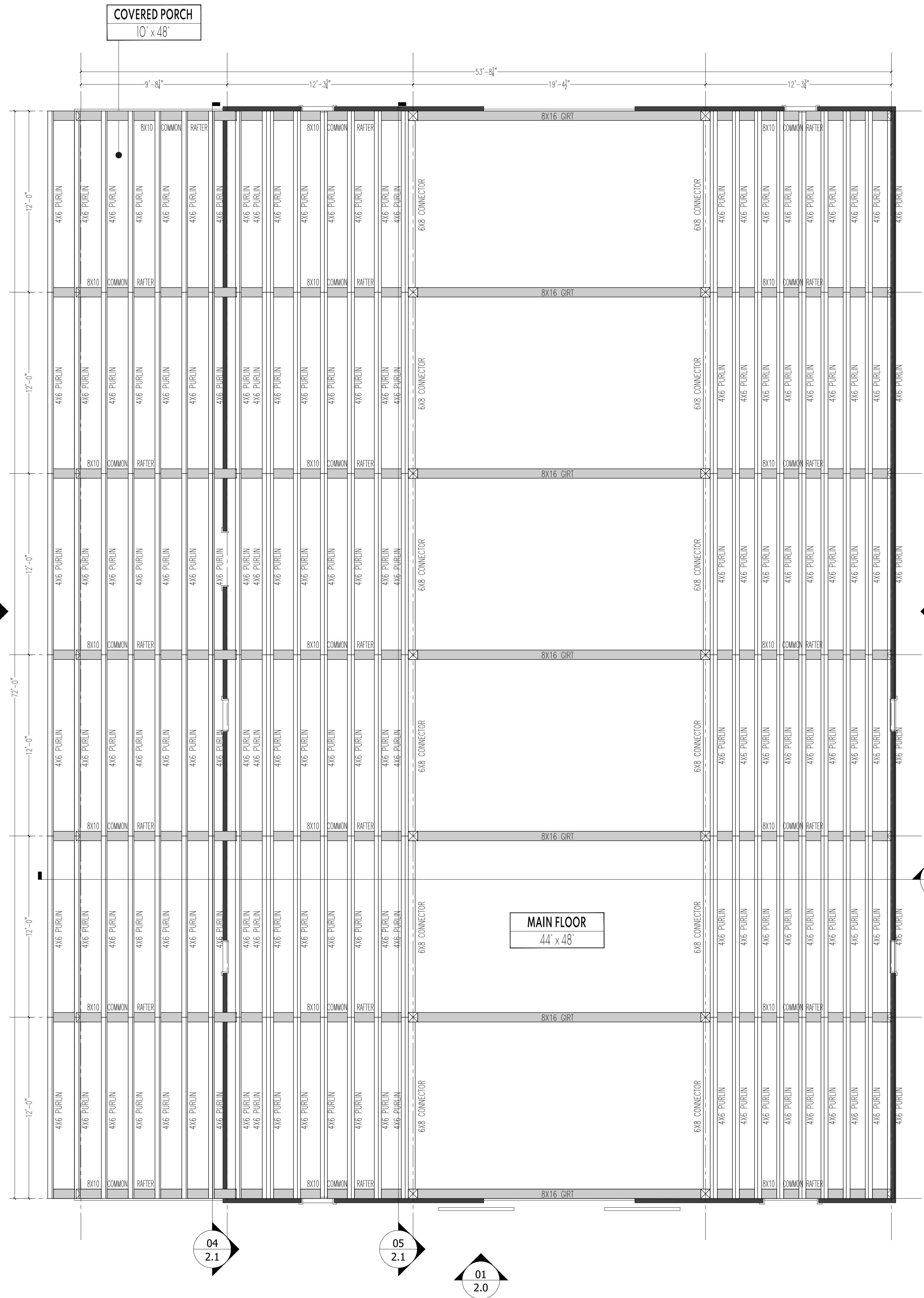
DRAWN BY	DANNY D.
DATE	3.7.2023
STATUS	
OTHER	Other Info
OTHER	Other Info
OTHER	Other Info

REVISIONS

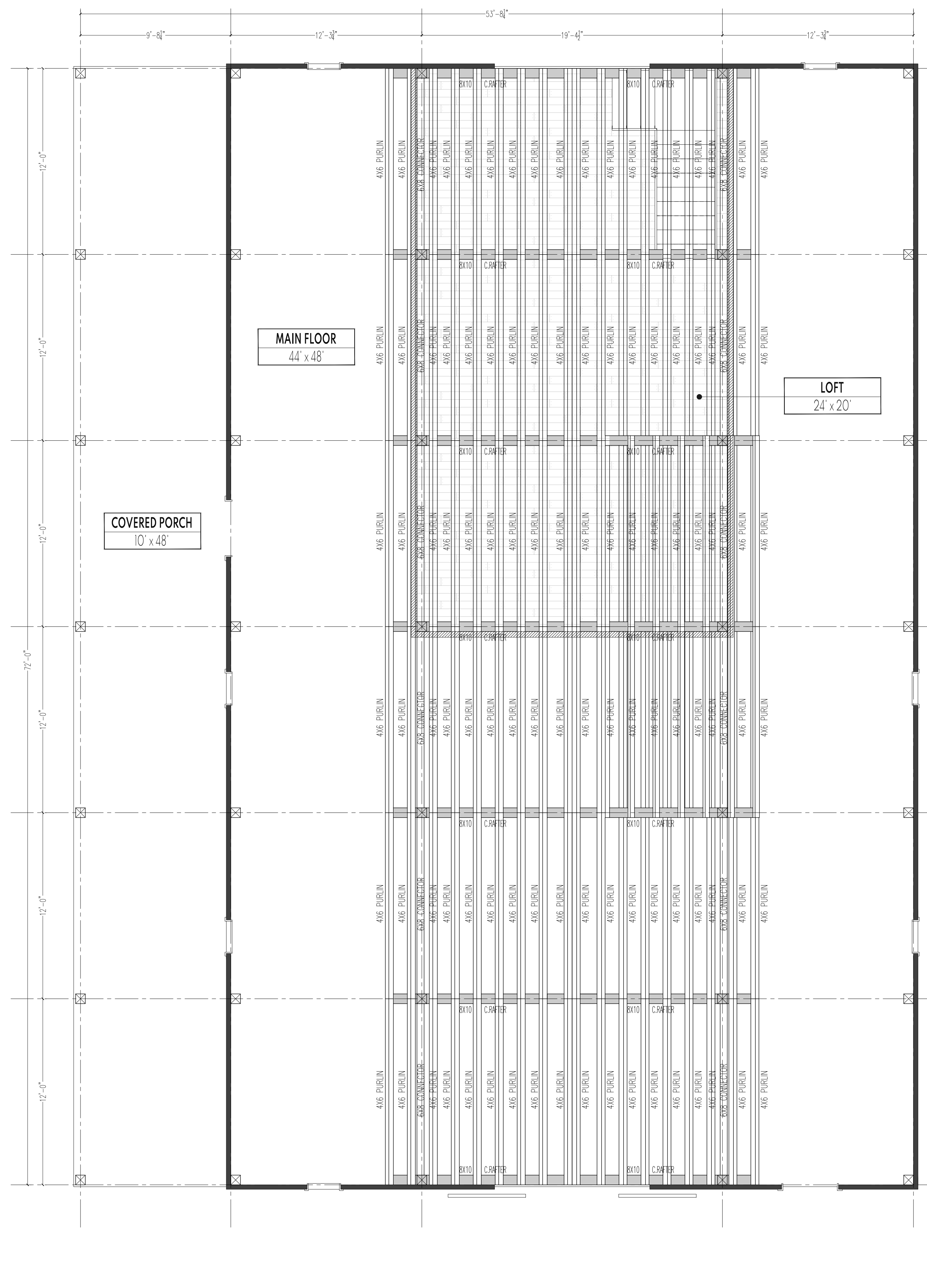
No.	Description	Date

SHEET

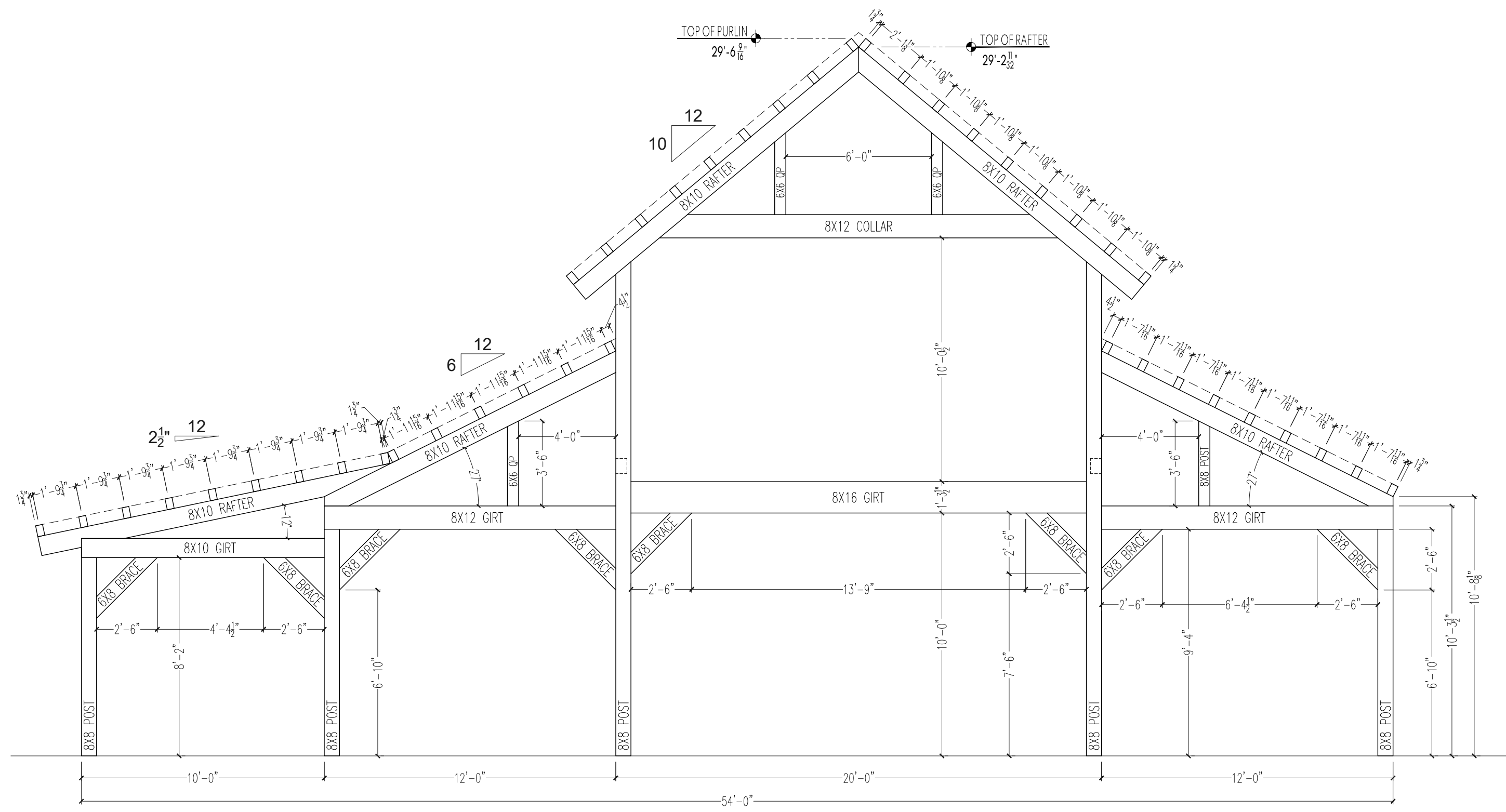
T1.1



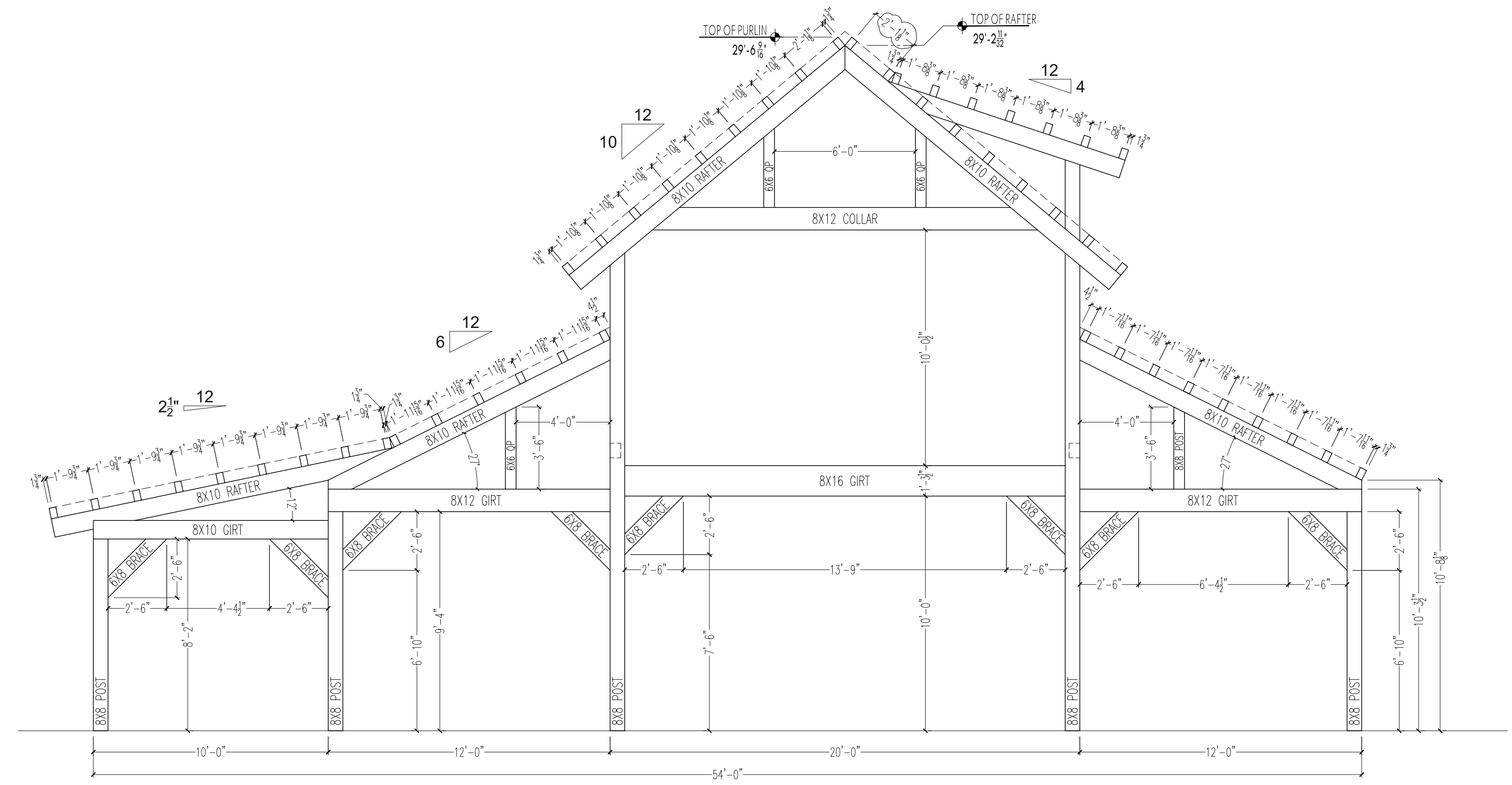
01 TIMBER LAYOUT - MAIN LEVEL
 1/4" = 1'-0"



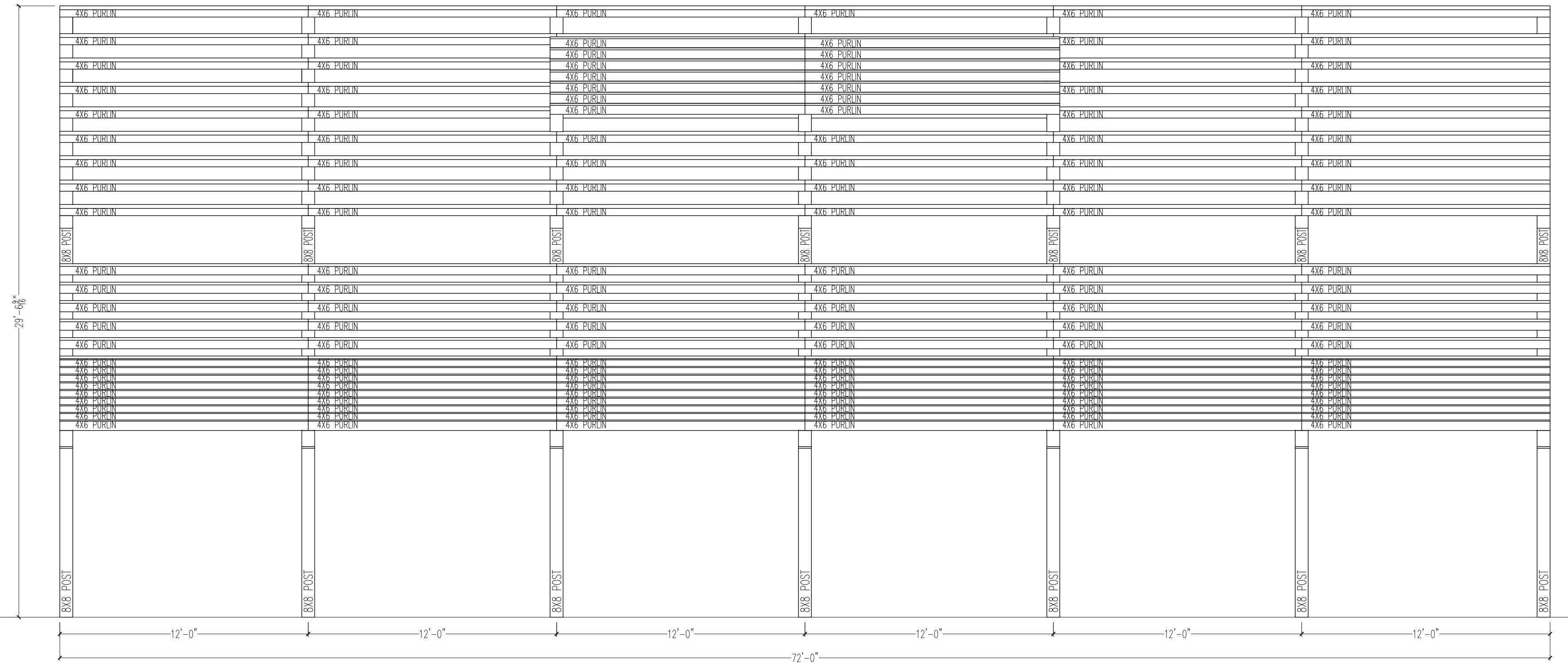
01 TIMBER LAYOUT - LOFT LEVEL
 1/4" = 1'-0"



01 ELEVATION
1/4" = 1'-0"



02 ELEVATION
1/4" = 1'-0"



03 ELEVATION
1/4" = 1'-0"

CUSTOMER INFORMATION:

**MIKE
DEMKOWSKI**

Client Address

PROJECT INFORMATION:

**GUNNAR
BARN**

Project Address

NUMBER	SCO0123-1
CATEGORY	
STYLE	
PM	WAYNE T.

DRAWING INFORMATION:

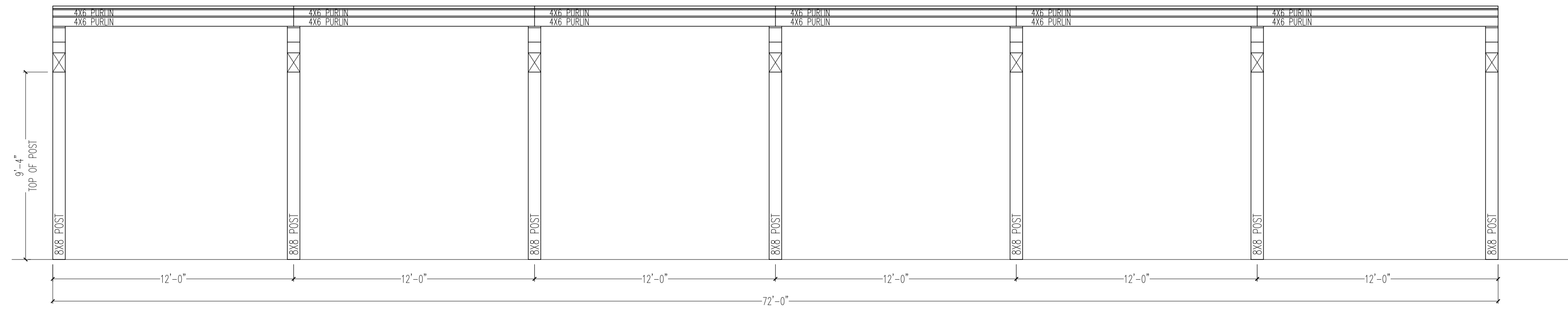
DRAWN BY	DANNY D.
DATE	3.7.2023
STATUS	
OTHER	Other Info
OTHER	Other Info
OTHER	Other Info

REVISIONS

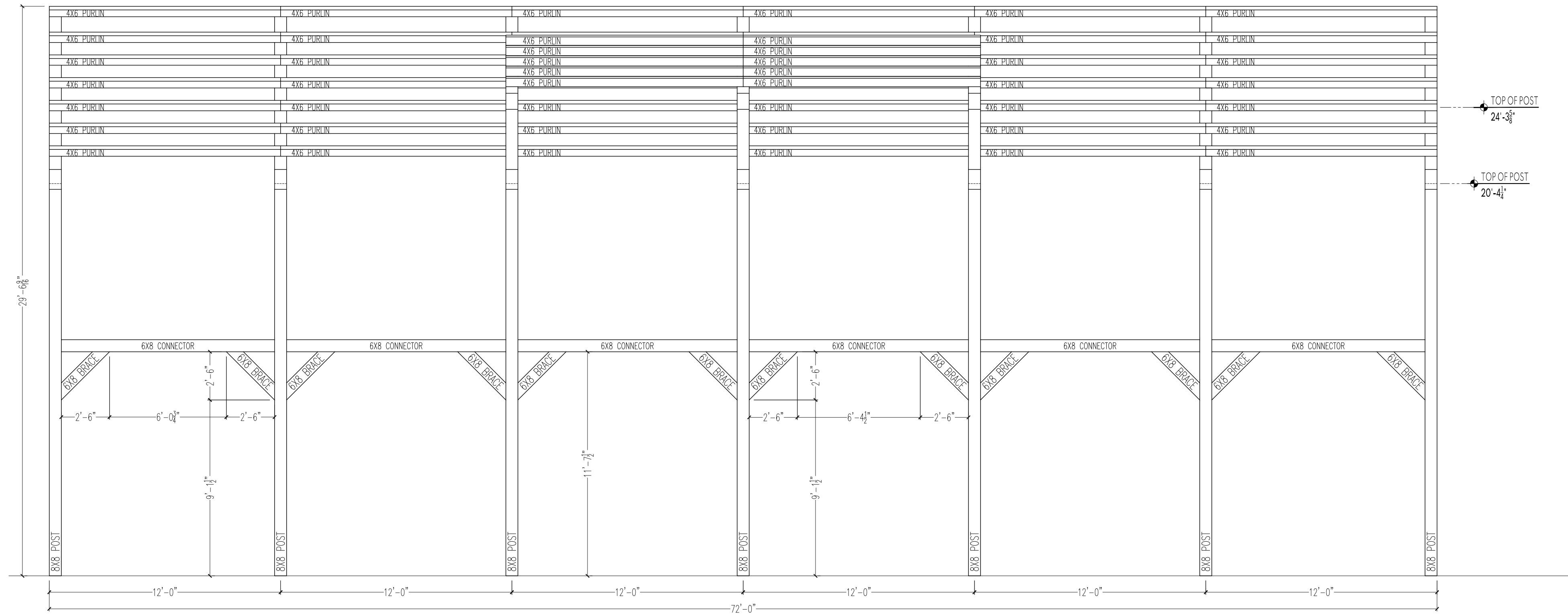
No.	Description	Date
-----	-------------	------

SHEET

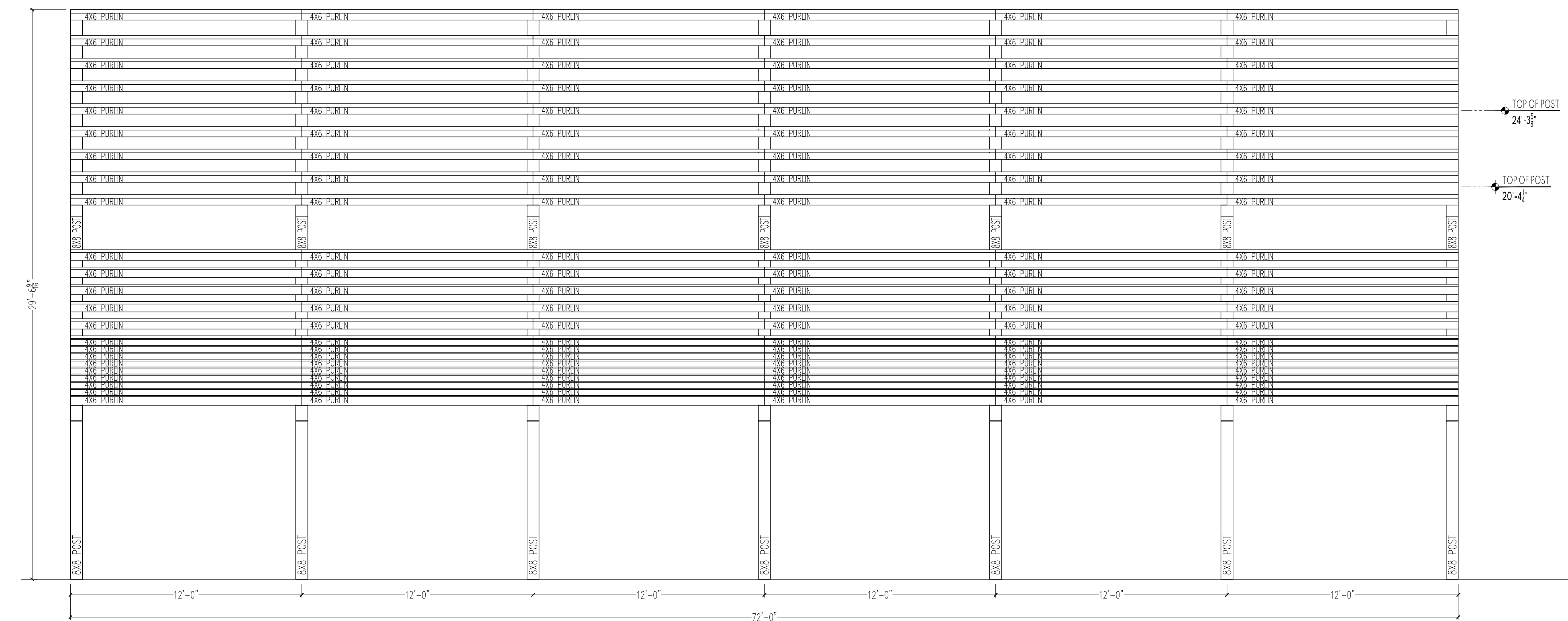
T2.0



04 SECTION
1/4" = 1'-0"



05 SECTION
1/4" = 1'-0"



06 ELEVATION
1/4" = 1'-0"

CUSTOMER INFORMATION:

MIKE DEMKOWSKI

Client Address

PROJECT INFORMATION:

GUNNAR BARN

Project Address

NUMBER	SCO0123-1
CATEGORY	
STYLE	
PM	WAYNE T.

DRAWING INFORMATION:

DRAWN BY	DANNY D.
DATE	3.7.2023
STATUS	
OTHER	Other Info
OTHER	Other Info
OTHER	Other Info

REVISIONS

No.	Description	Date

SHEET

T2.0