



11 SITE ENTRANCE SOUTH
SCALE: 3" = 1'-0"



10 EYE LEVEL - SITE ENTRANCE - NORTH
SCALE: 3" = 1'-0"



9 MANAGER'S OFFICE - LOOKING SOUTH-EAST
SCALE: 3" = 1'-0"



8 MANAGER'S OFFICE - LOOKING NORTH-EAST
SCALE: 3" = 1'-0"



7 BIRD'S EYE - LOOKING MID SOUTH-WEST
SCALE: 3" = 1'-0"



6 BIRDS EYE - LOOKING SOUTH-EAST
SCALE: 3" = 1'-0"



5 BIRD'S EYE - LOOKING NORTH-EAST
SCALE: 3" = 1'-0"



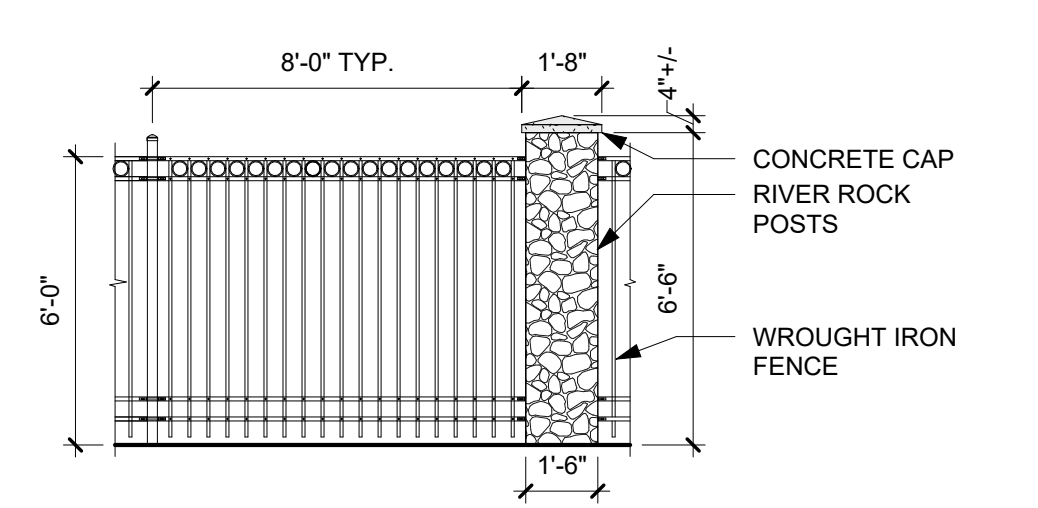
4 BIRD'S EYE - LOOKING SOUTH-WEST
SCALE: 3" = 1'-0"



3 BIRD'S EYE - LOOKING NORTH-WEST
SCALE: 3" = 1'-0"



1 STREET ELEVATION
SCALE: N.T.S.



2 FENCE ELEVATION
SCALE: 1/4" = 1'-0"

Preliminary Design For:
San Martin Storage
12625 Monterey Rd.
San Martin, CA 95046

JR /YA 21223 06/03/24

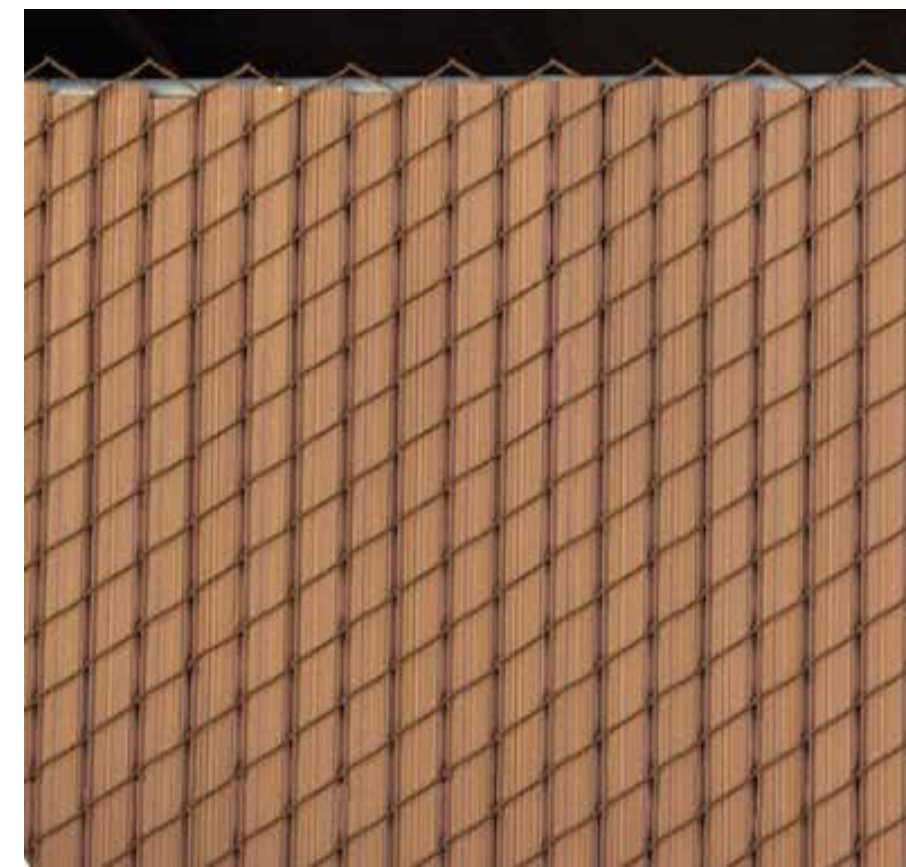




CMU & WROUGHT IRON FENCE
SIMILAR TO ADJACENT PARCEL



CHAIN LINK PRIVACY FENCE
RENDERING



CHAIN LINK PRIVACY FENCE



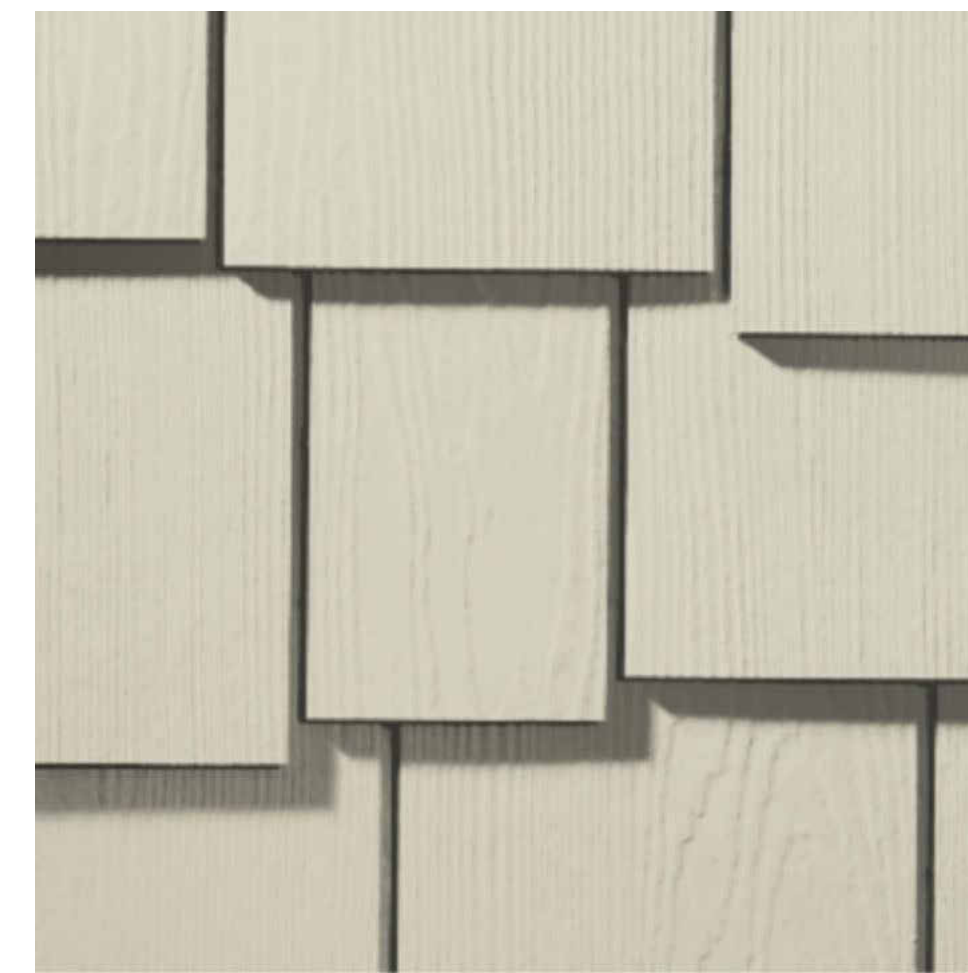
FENCE POSTS - RIVER ROCK
STYLE WITH CONCRETE CAP



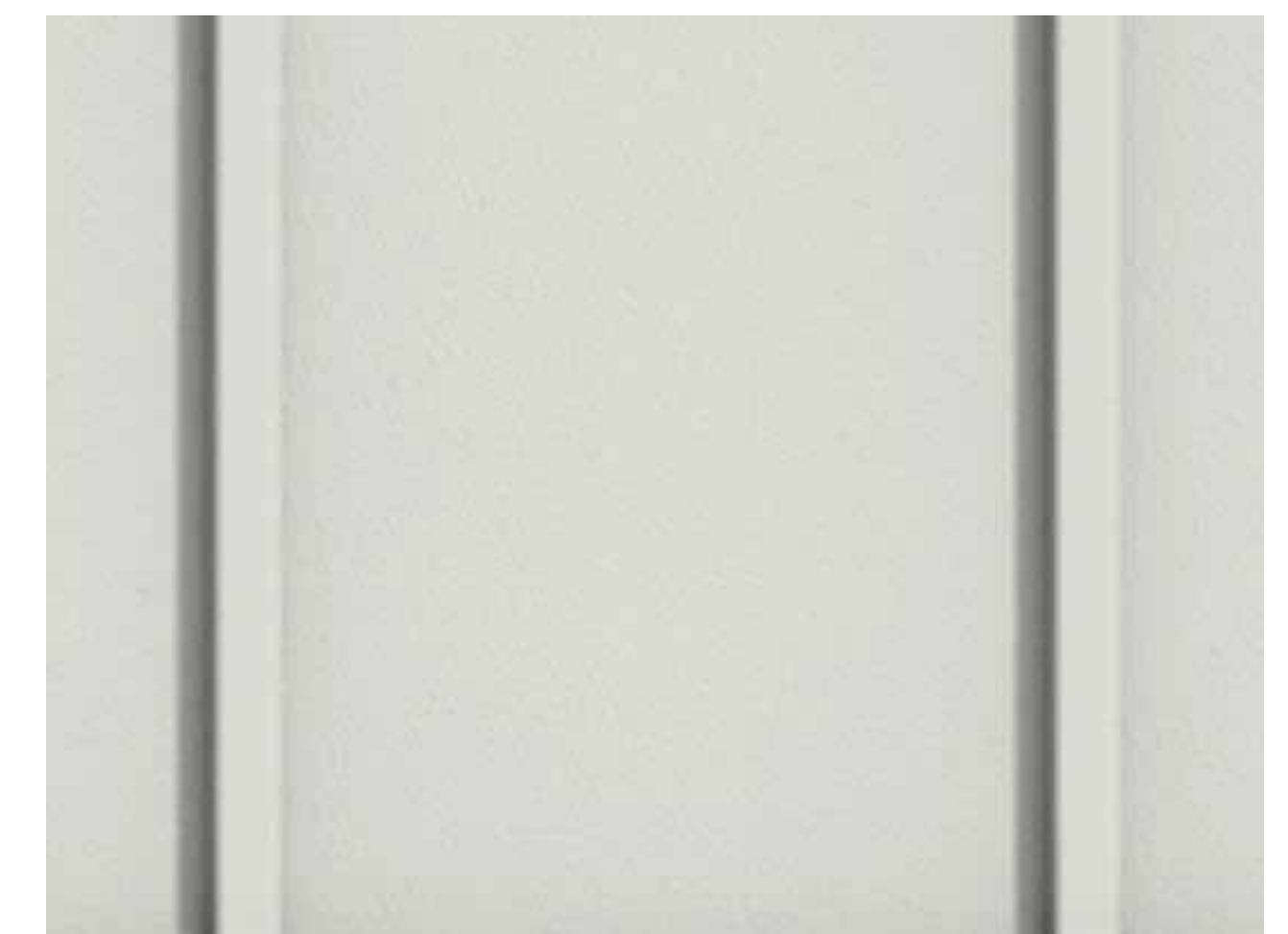
JAMES HARDIE SMOOTH TRIM
COLOR: JH MONTEREY TAUPE



JAMES HARDIE
CEDARMILL LAP SIDING
COLOR: JH ARCTIC WHITE



JAMES HARDIE SHINGLE SIDING @
TOWER, STAGGERED EDGE PANEL
COLOR: JH COBBLESTONE



JAMES HARDIE SMOOTH
BOARD & BATTEN SIDING
COLOR: JH ARCTIC WHITE



AEP SPAN: SURF WHITE
(SIMILAR TO JH ARCTIC WHITE)



AEP SPAN: LIGHT STONE
(SIMILAR TO JH COBBLESTONE)



AEP SPAN: DESERT BEIGE
(SIMILAR TO JH MONTEREY TAUPE)



AEP SPAN: STANDING SEEM METAL PANEL



WALL MOUNTED LIGHTS:
MIMIK 20

POLE LIGHTS:
SKYLINE

SITE LIGHTING FIXTURES

OUTDOOR LITE
Solarban® R100 (2) Solexia® + Clear

[Add to Selections](#)

VLT (%)	Ext Refl (%)	SHGC	Winter U-Value	
36	25	0.21	Air 0.29	Argon 0.25

[Data Sheet](#) [View in Gallery](#) [Order Sample](#)

CLEAR WINDOWS

COLOR & MATERIAL BOARD

SCALE: NTS

Preliminary Design For:
San Martin Storage
12625 Monterey Rd.
San Martin, CA 95046

JR /YA 21223 06/03/23

